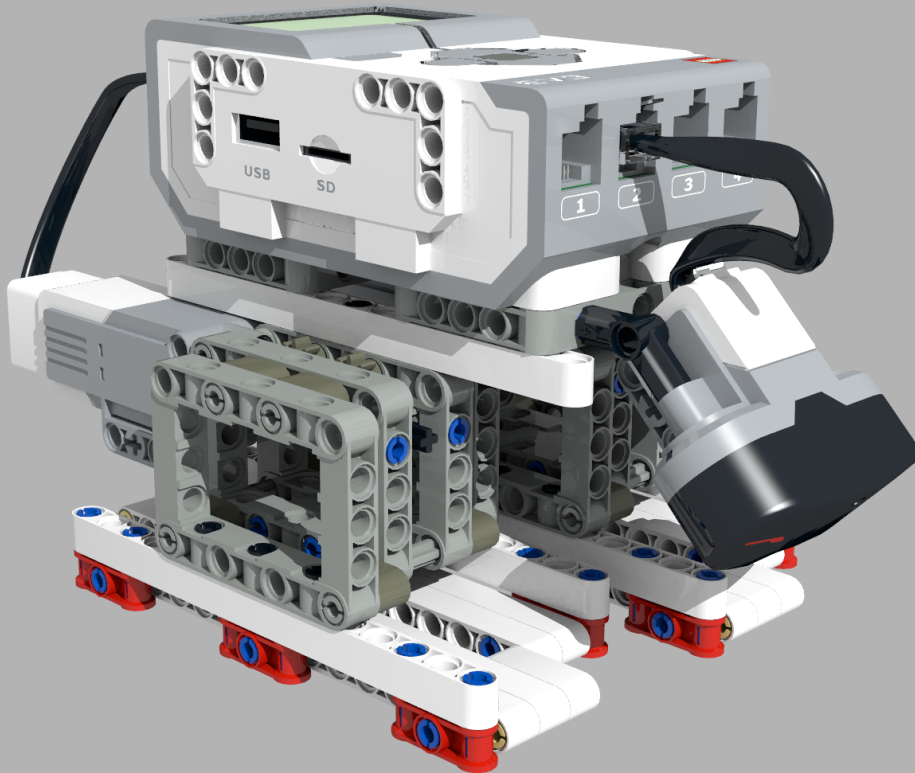


Autonomous biped walker using two medium motors

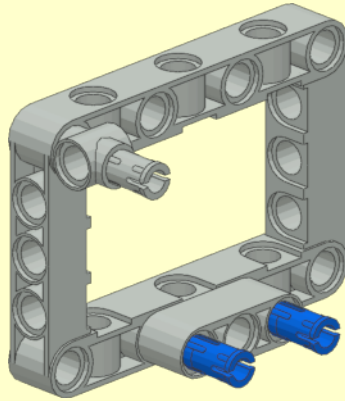
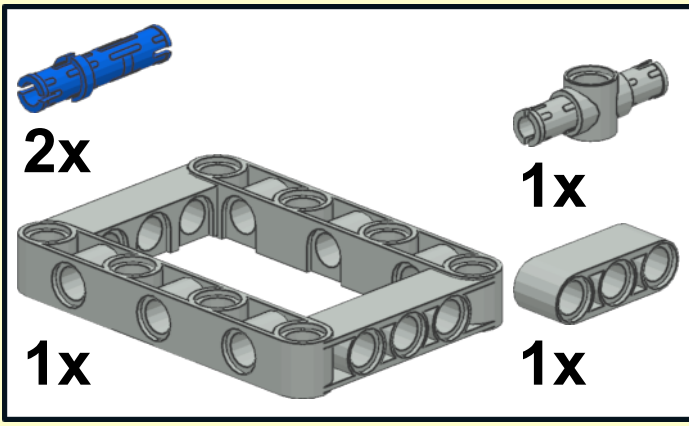
by

Stu Nicholls

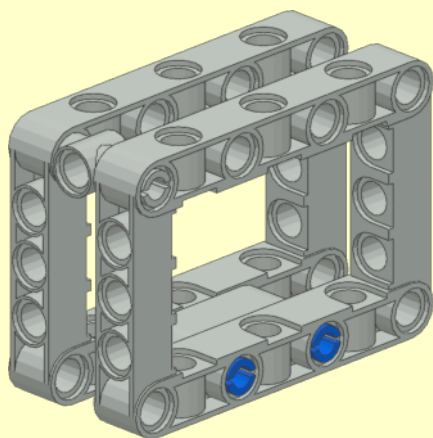
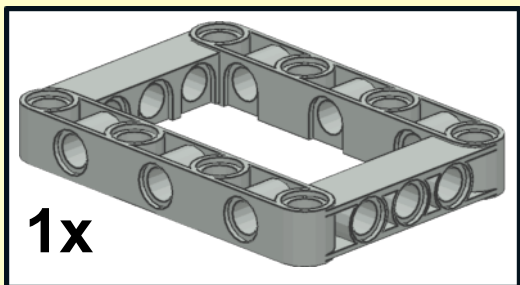
<http://www.stunicholls.com>

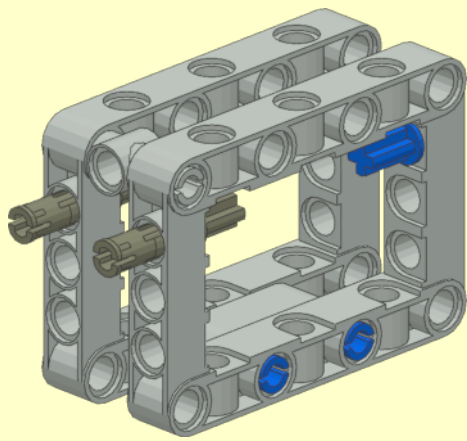
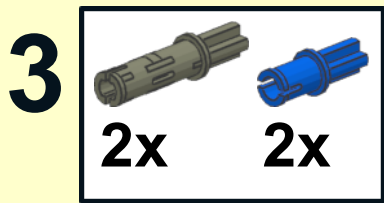


1



2

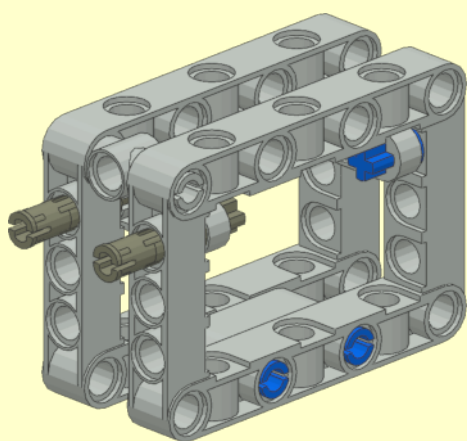





4



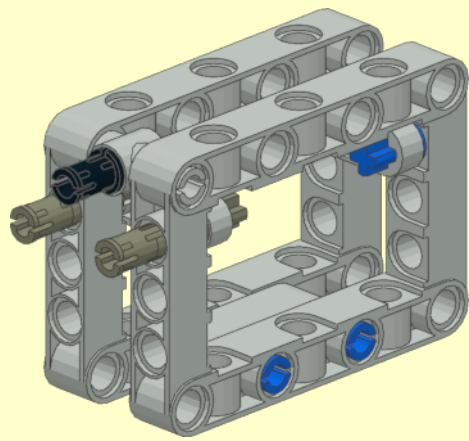
2x



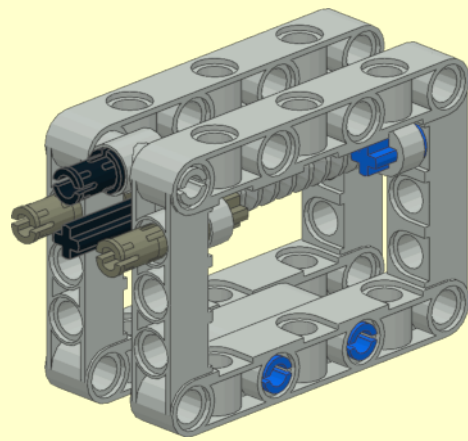
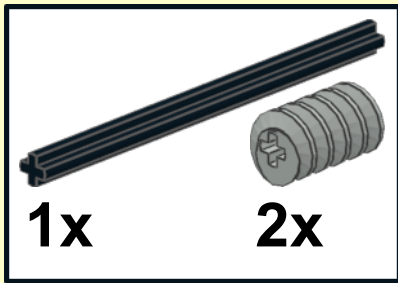
5



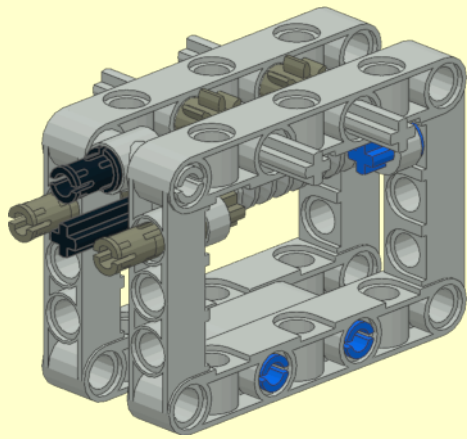
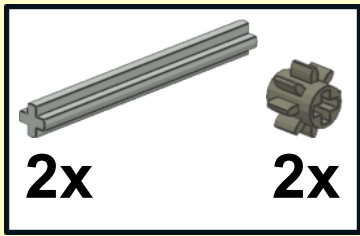
1x



6



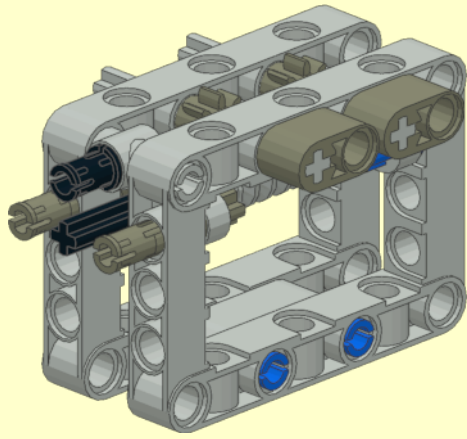
7



8



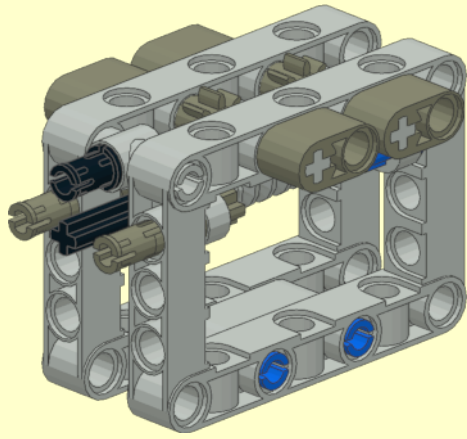
2x



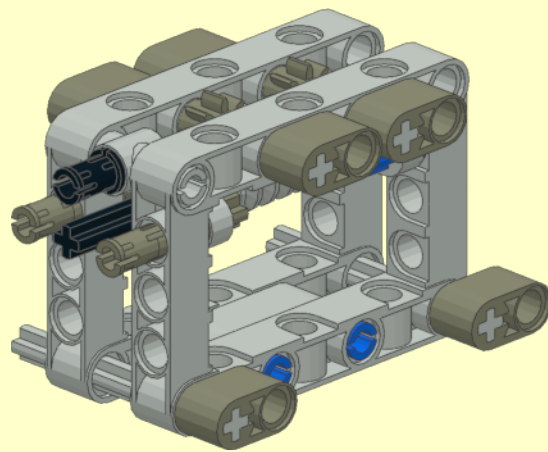
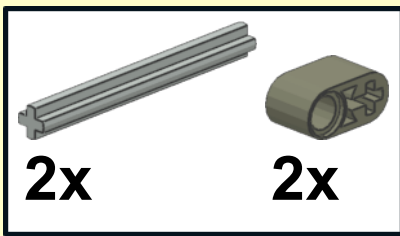
9



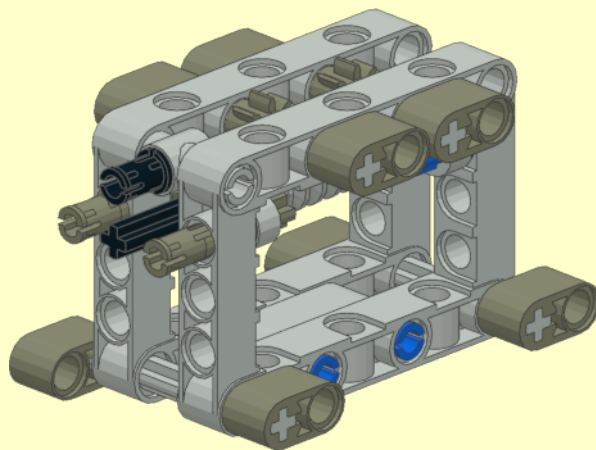
2x



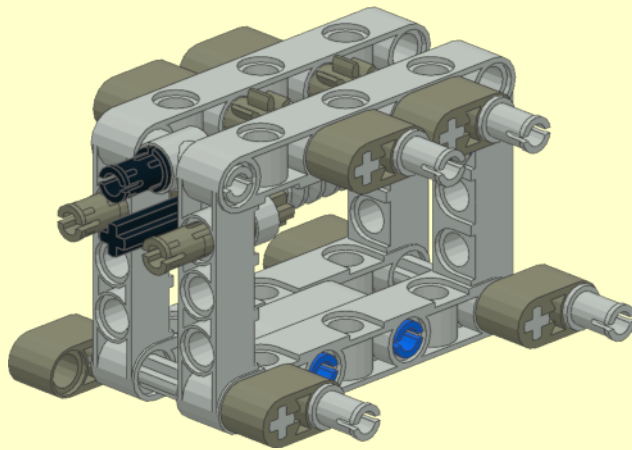
10



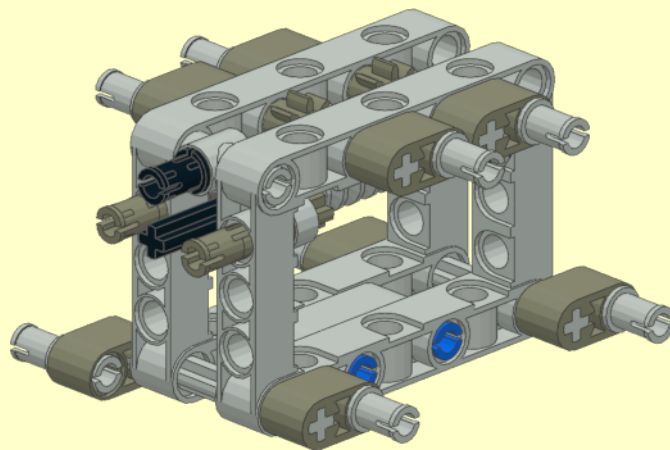
11



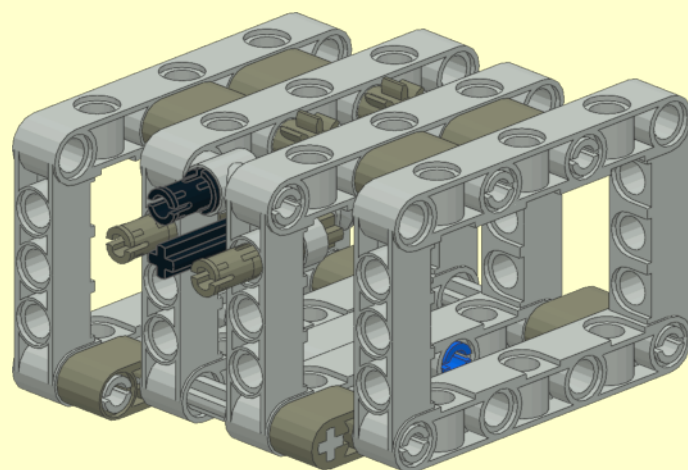
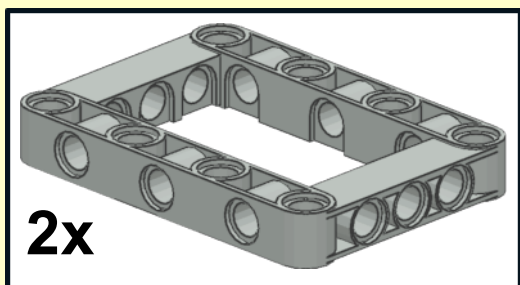
12



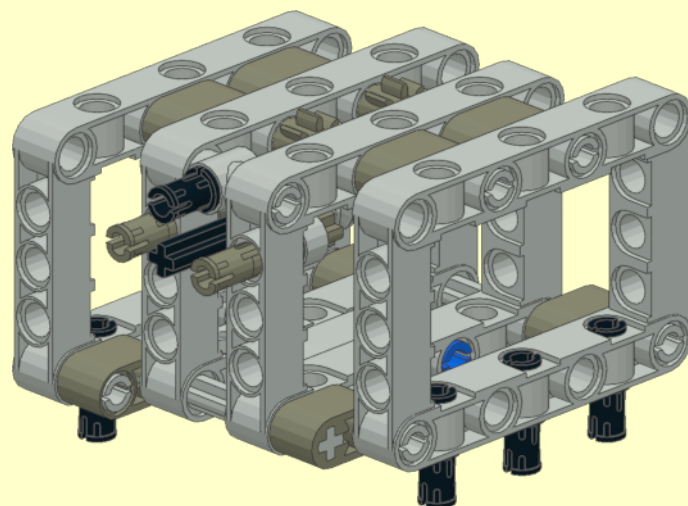
13



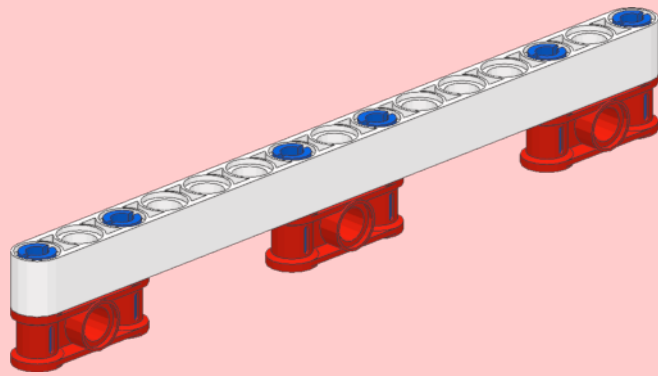
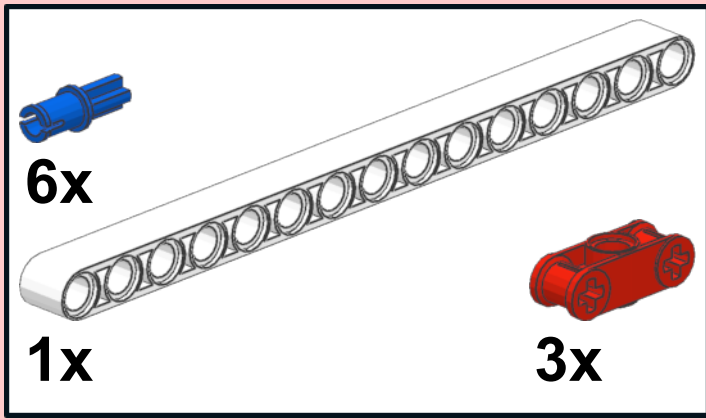
14



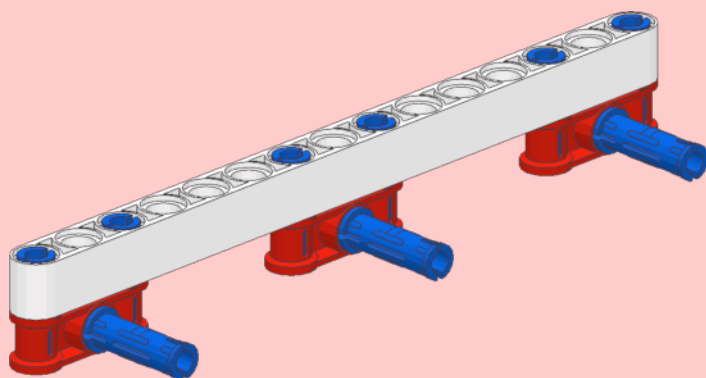
15



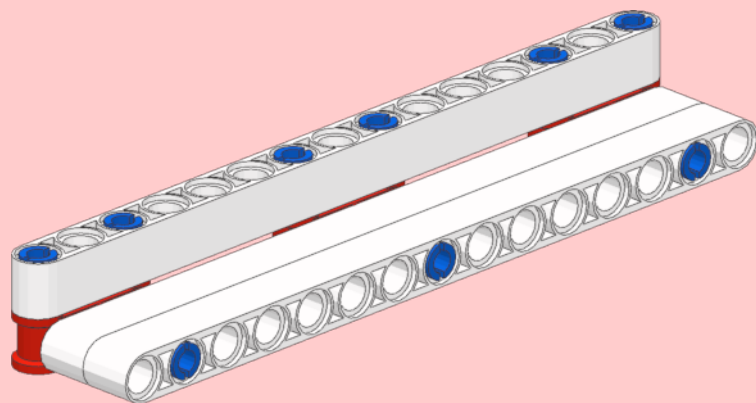
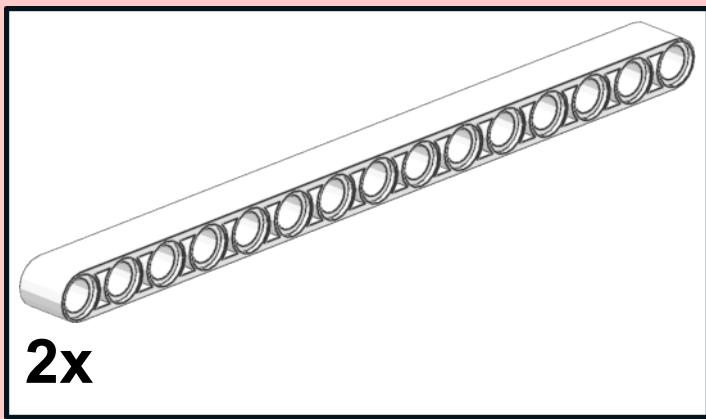
1



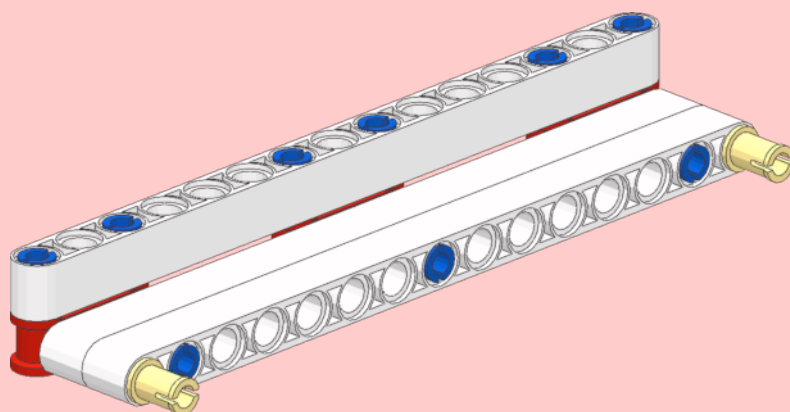
2



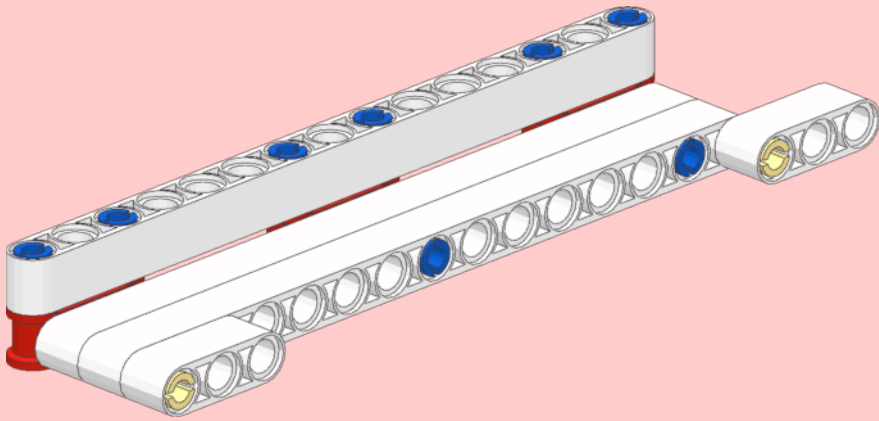
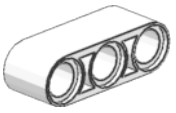
3

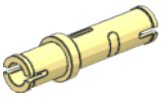


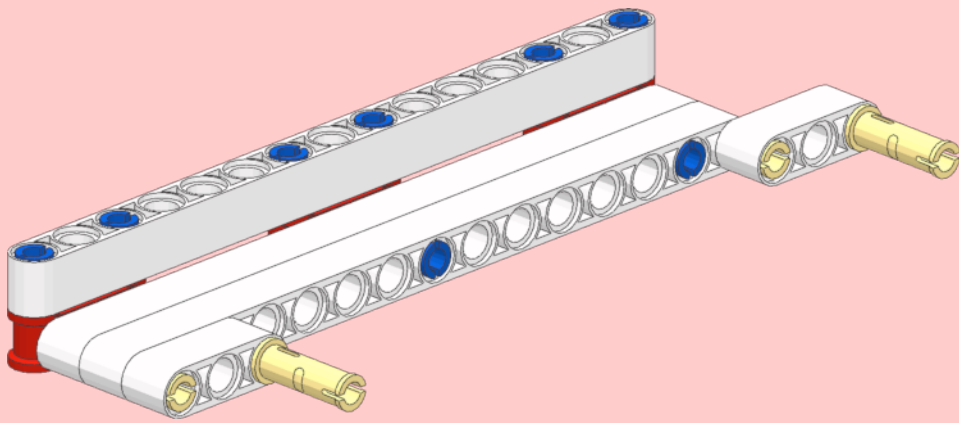
4



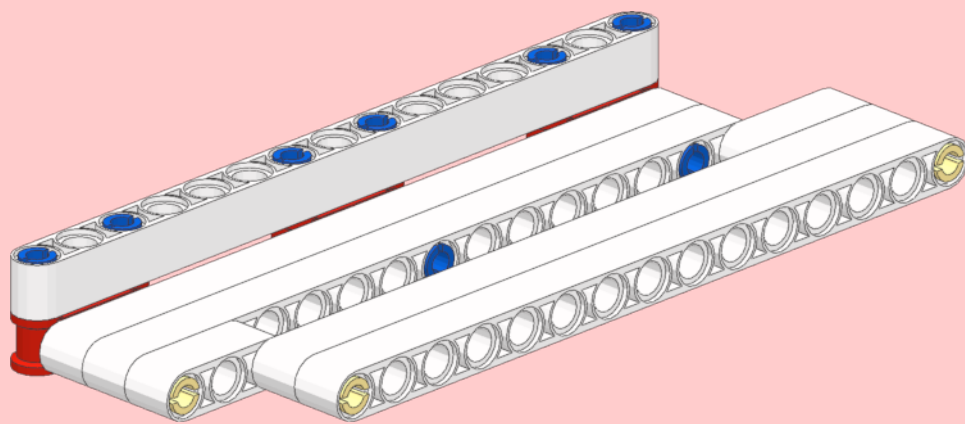
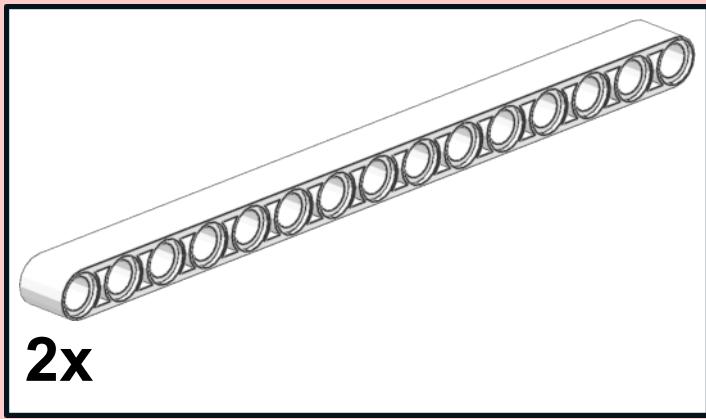
5
2x



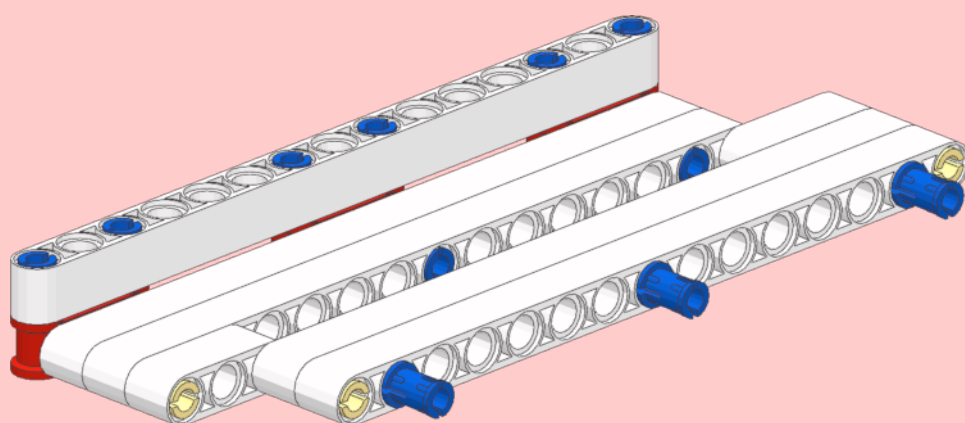
6

2x



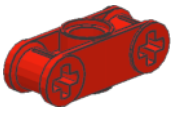
7



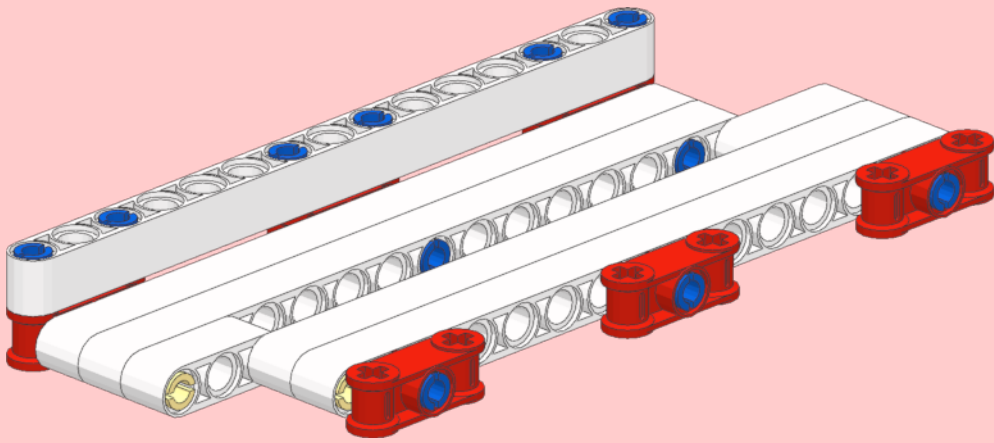
8



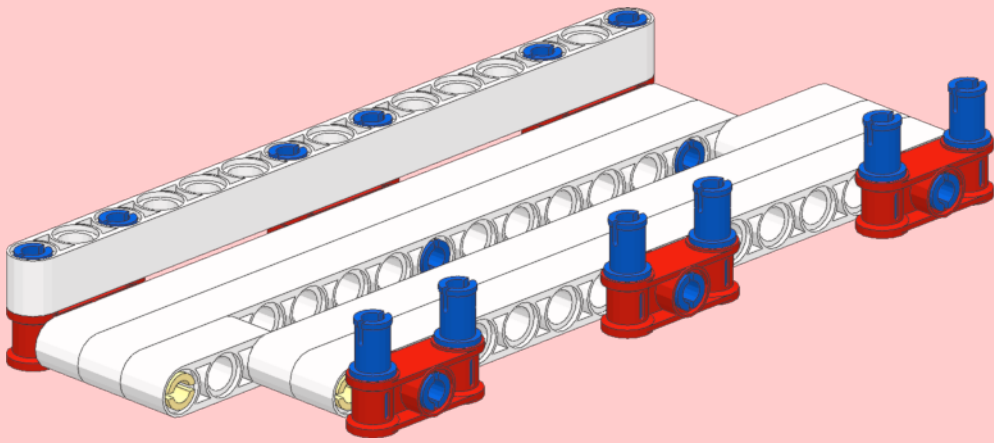
9



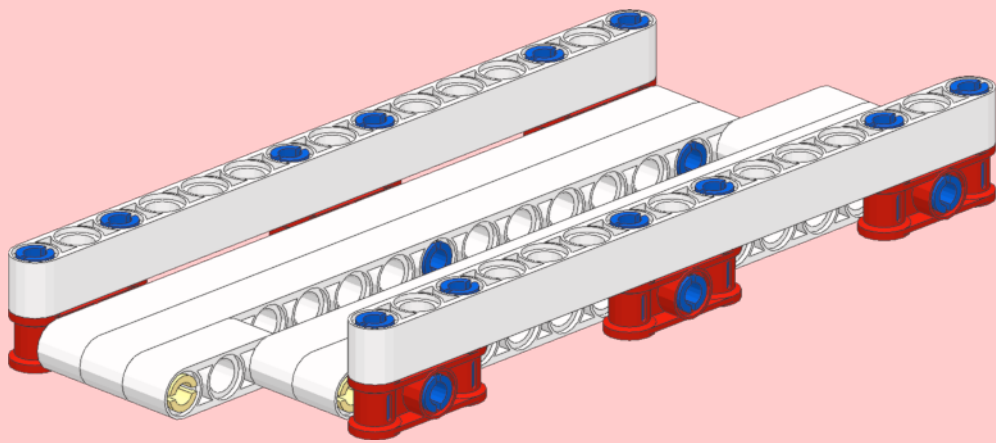
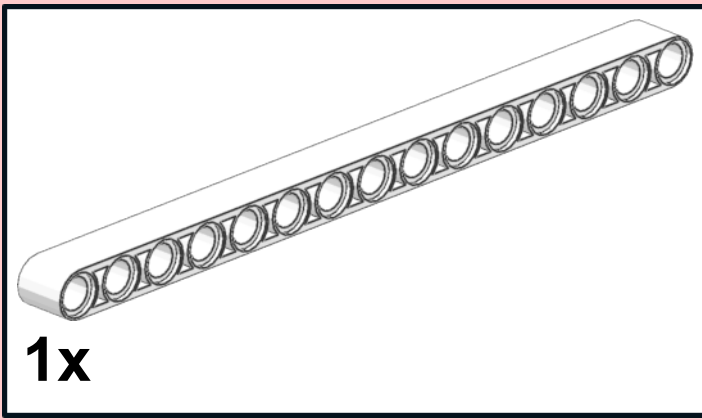
3x

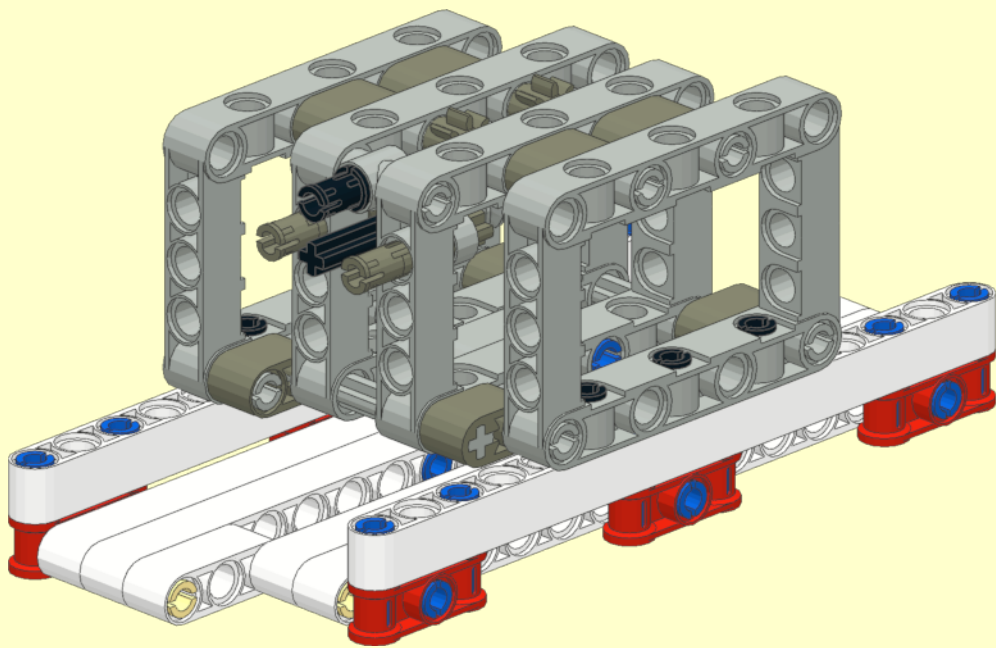


10

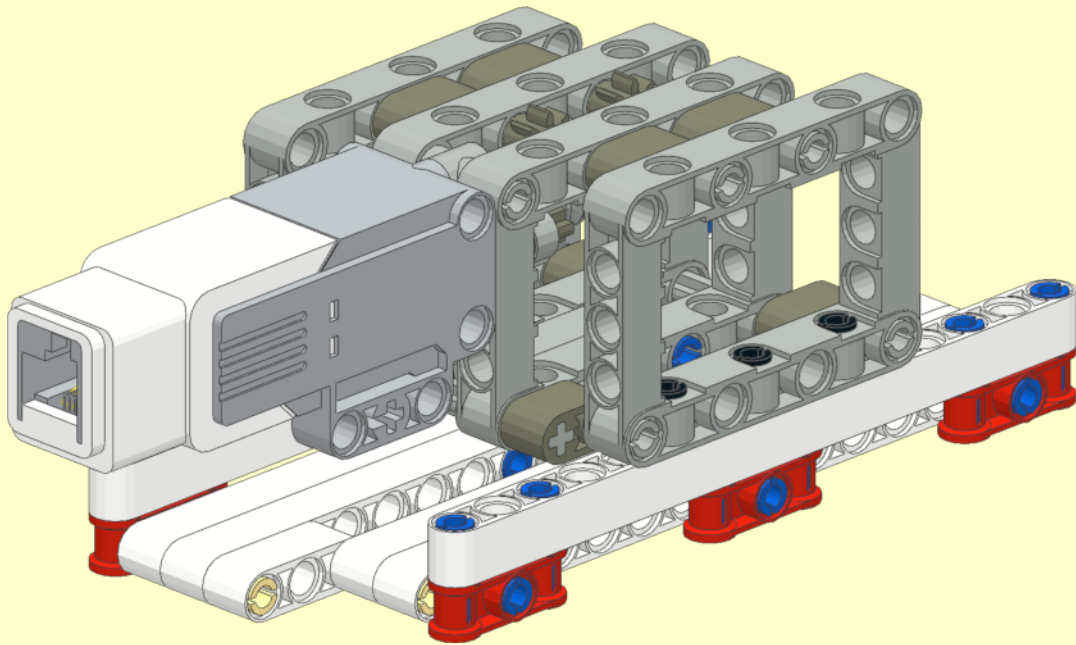
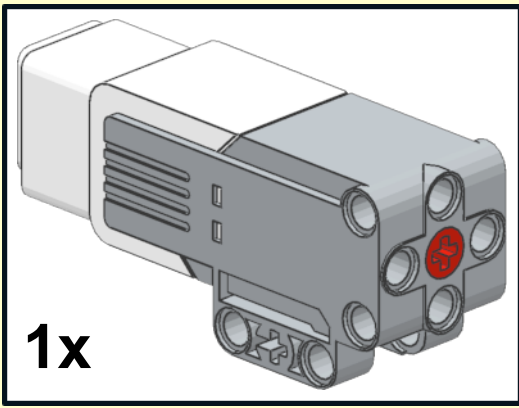


11



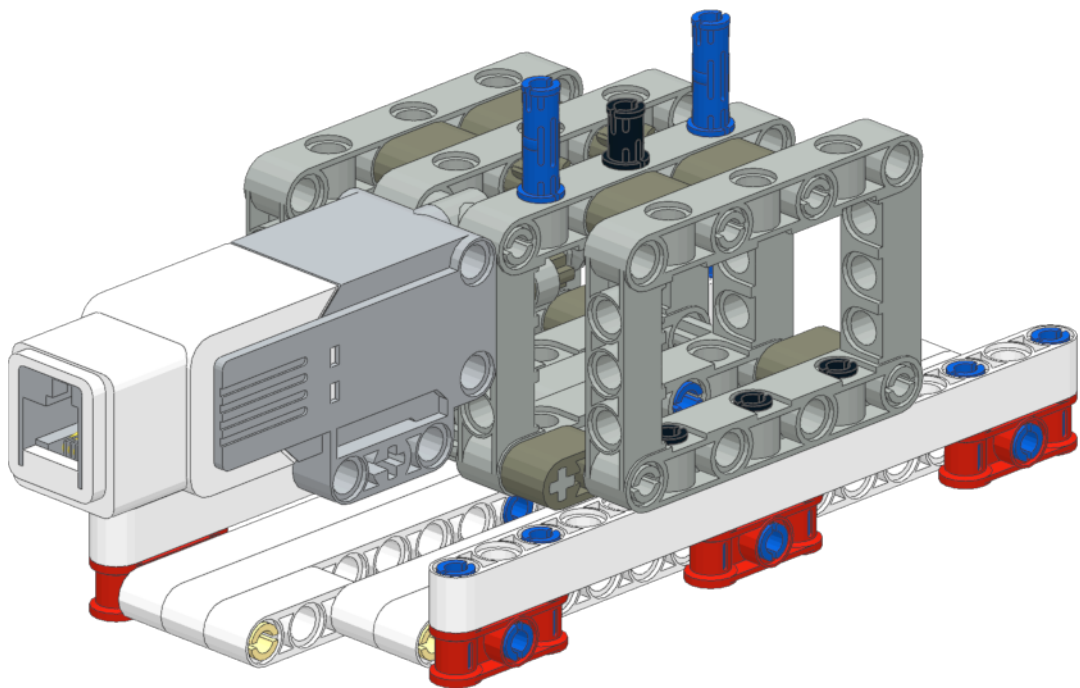
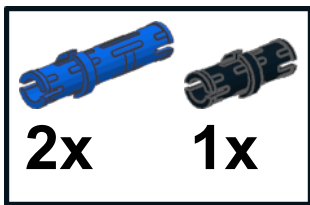


17

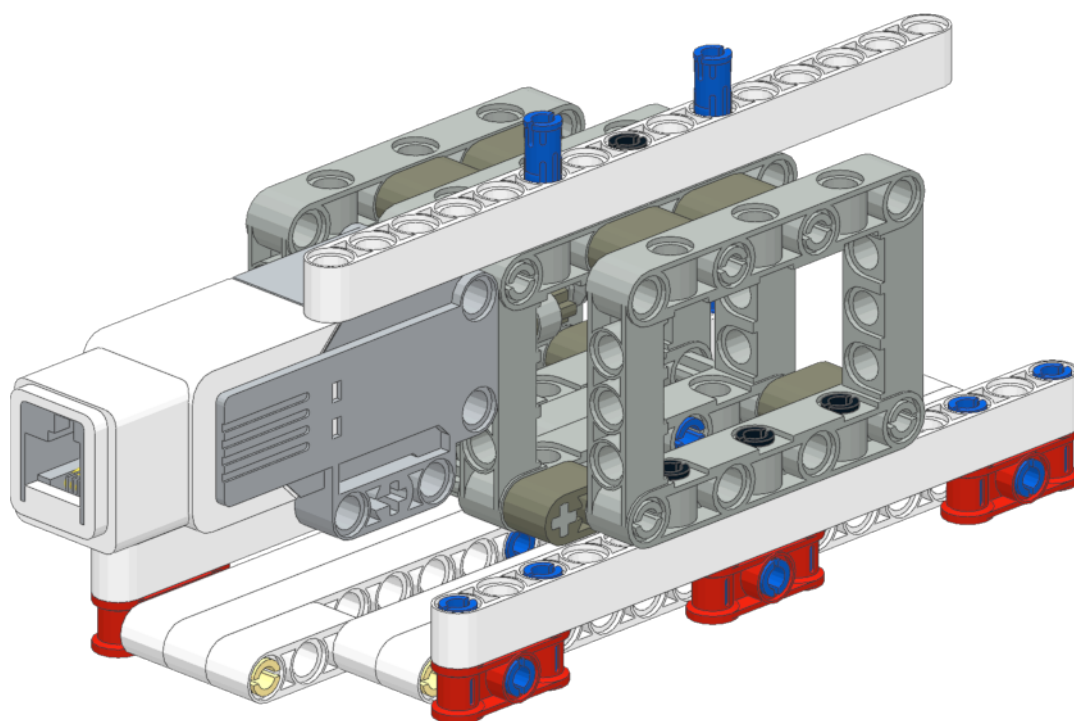
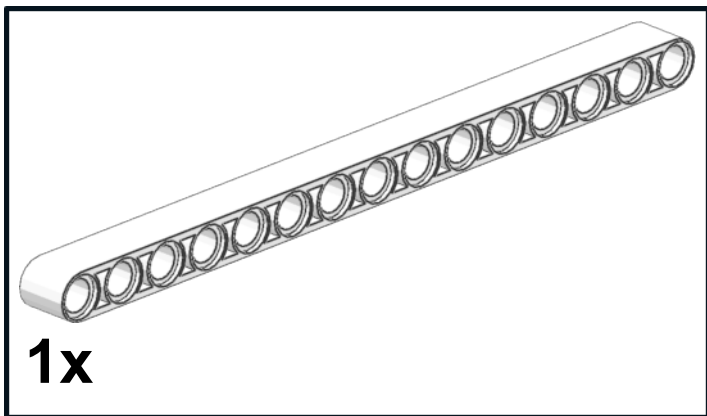


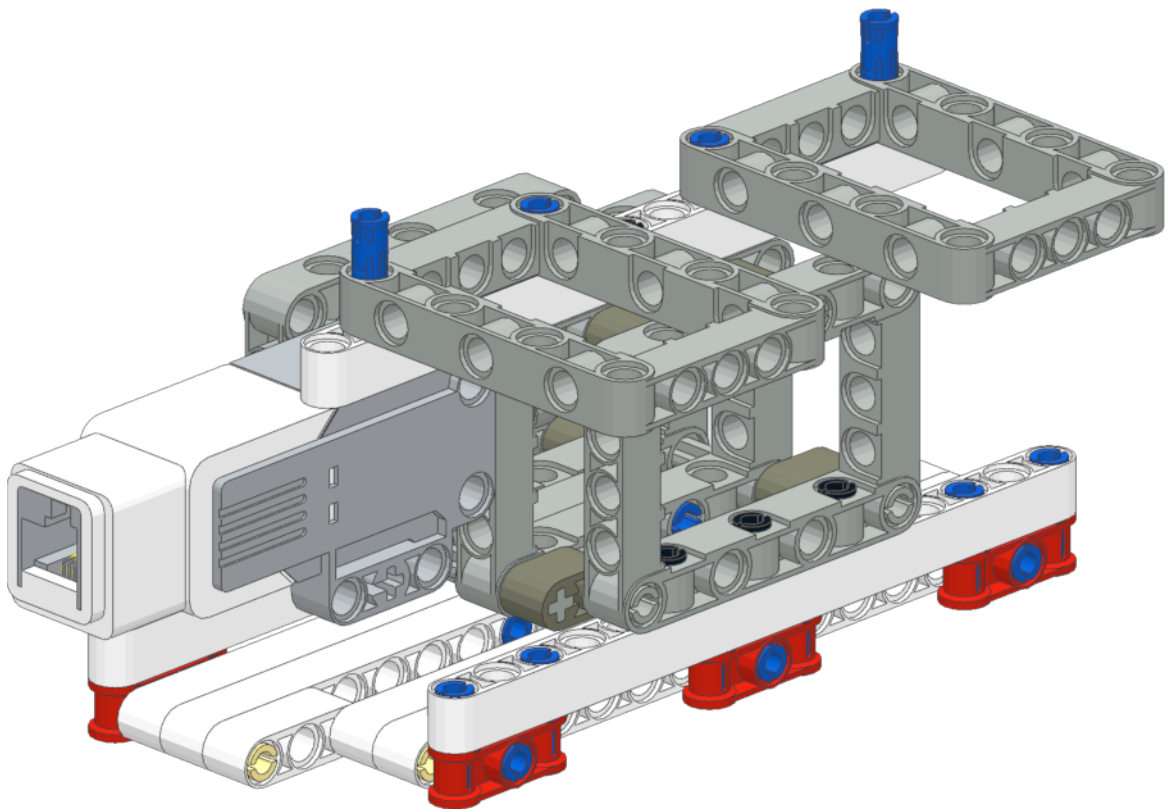
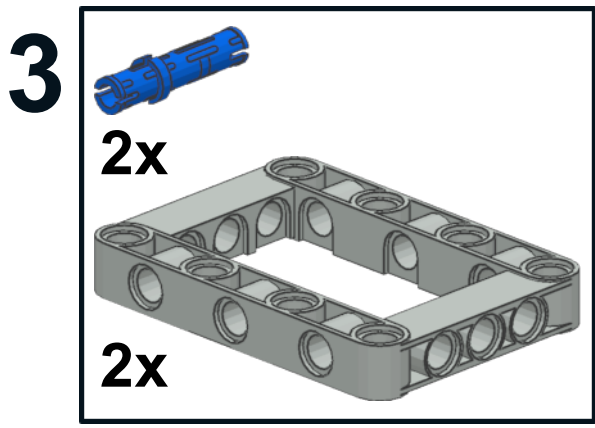
x2

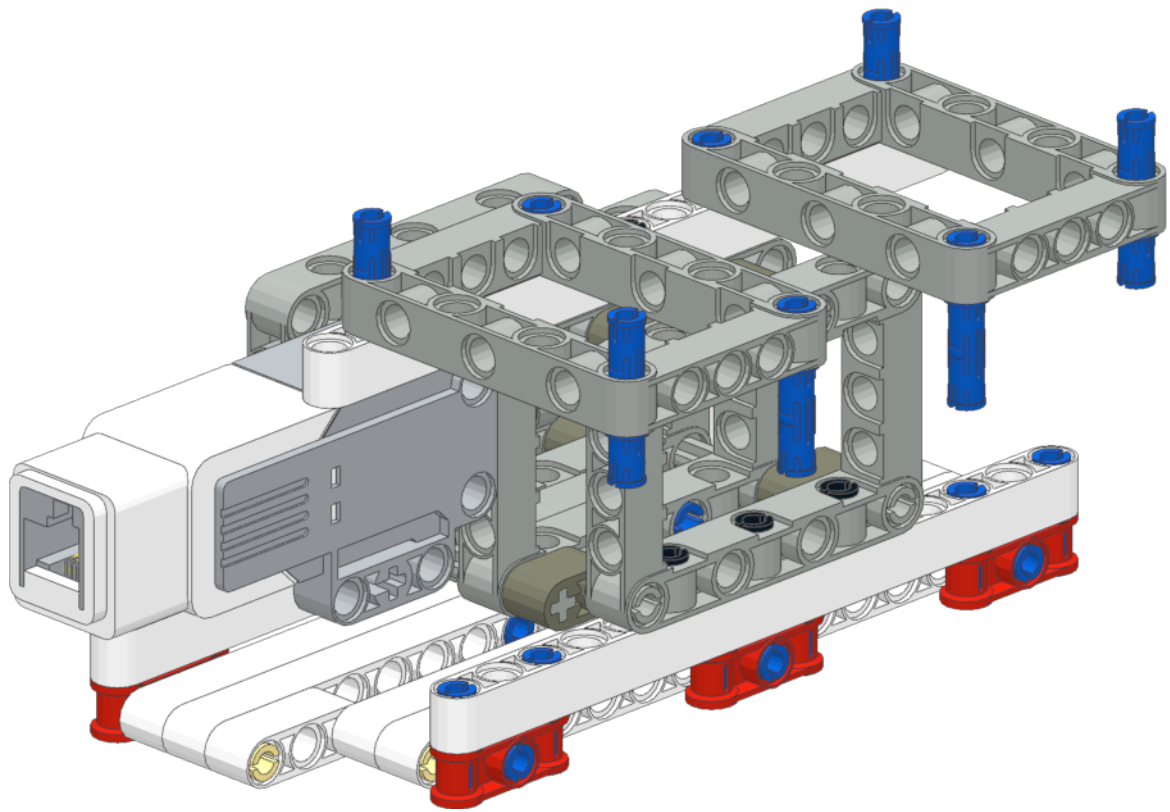
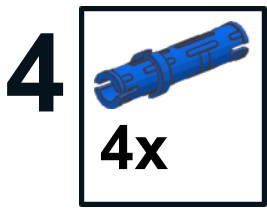
1



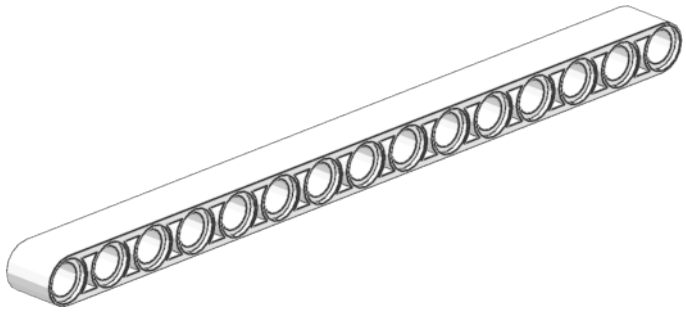
2



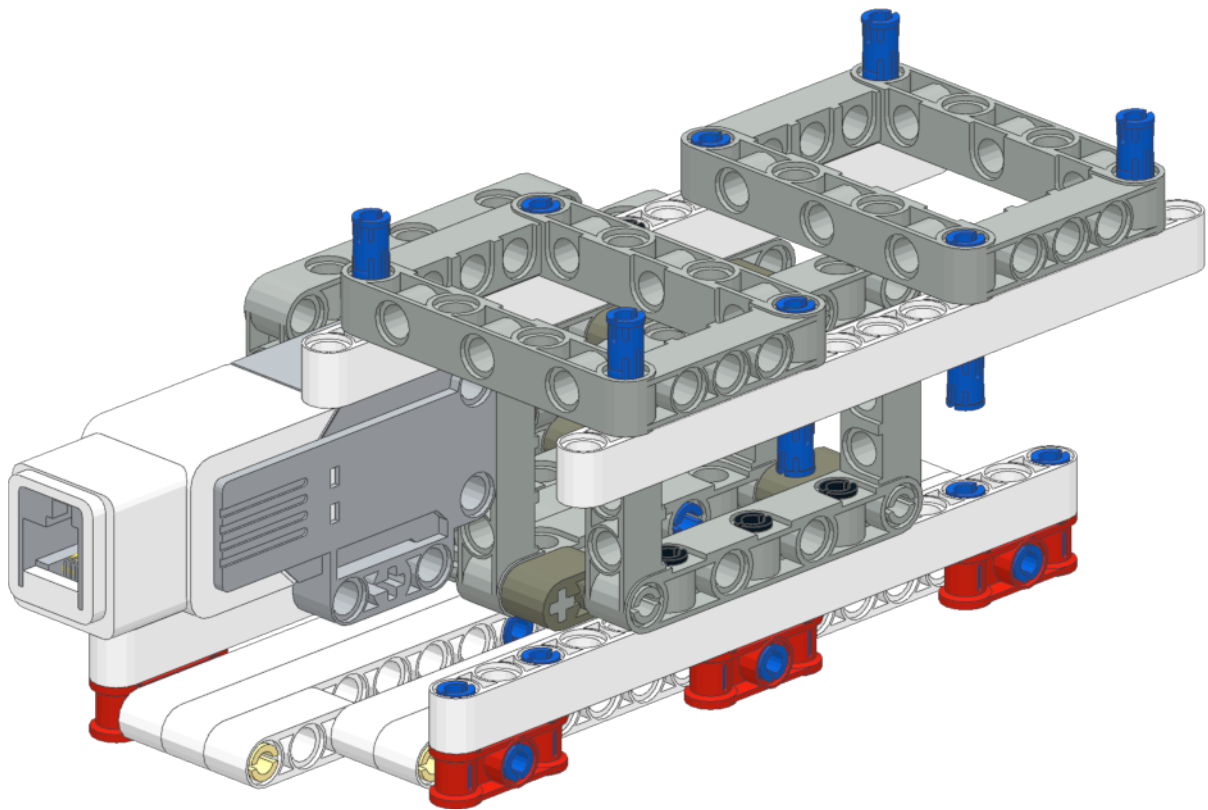




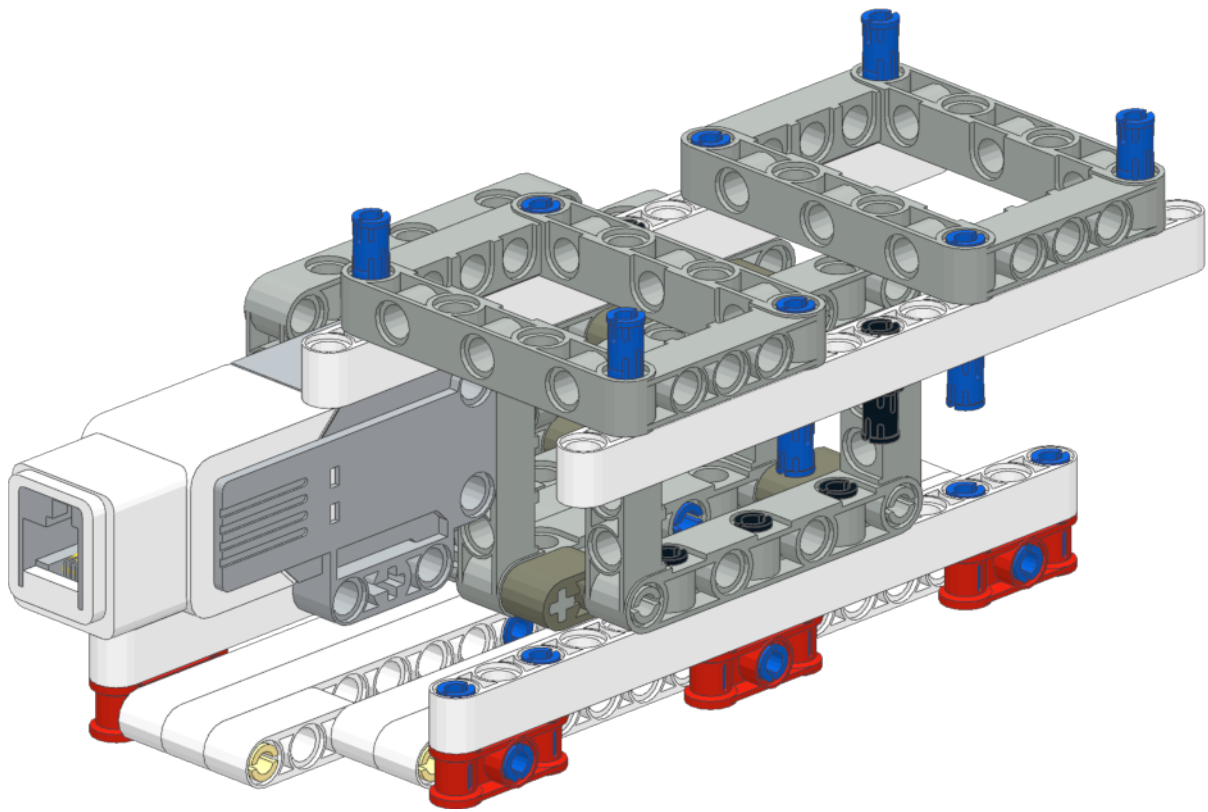
5



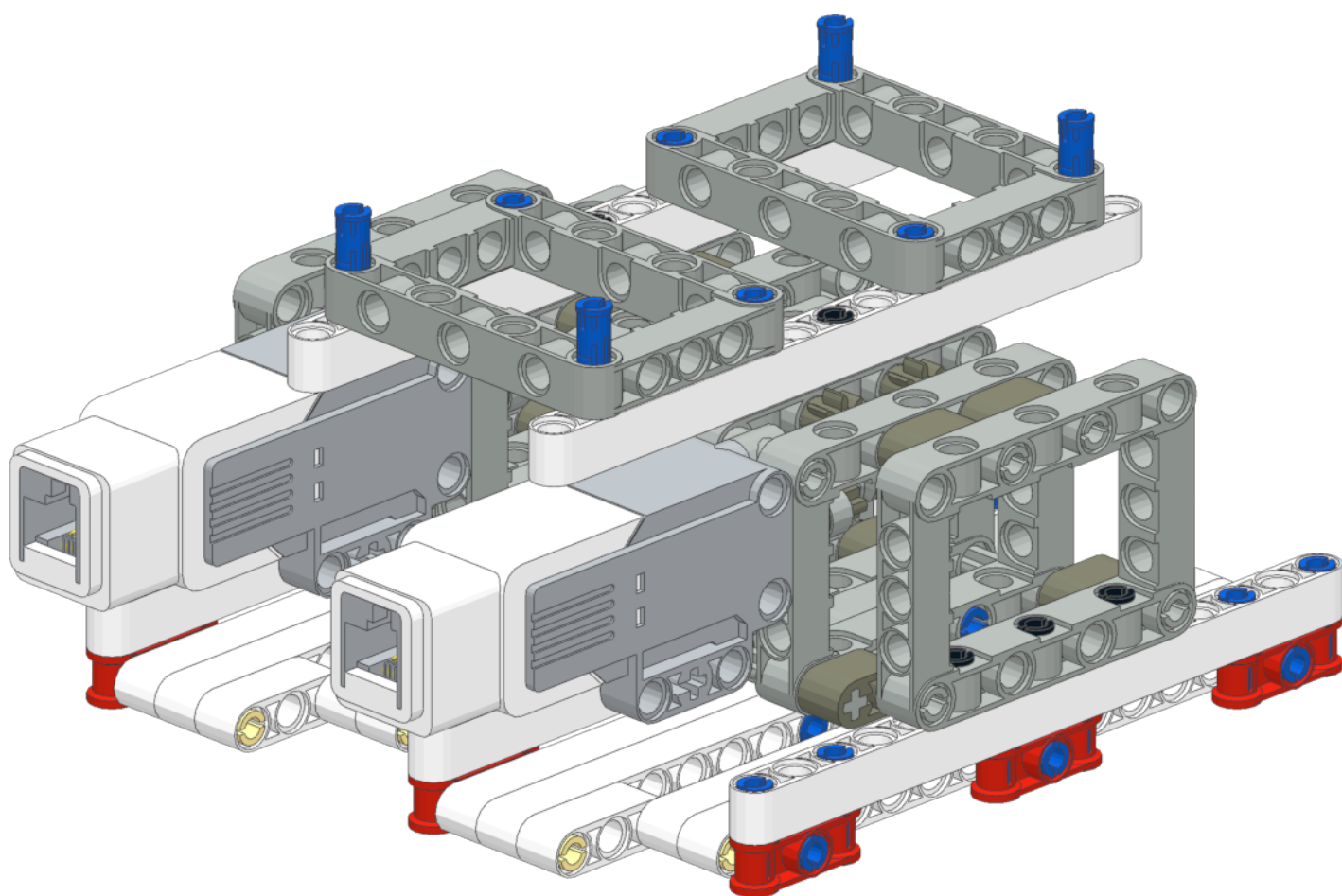
1x



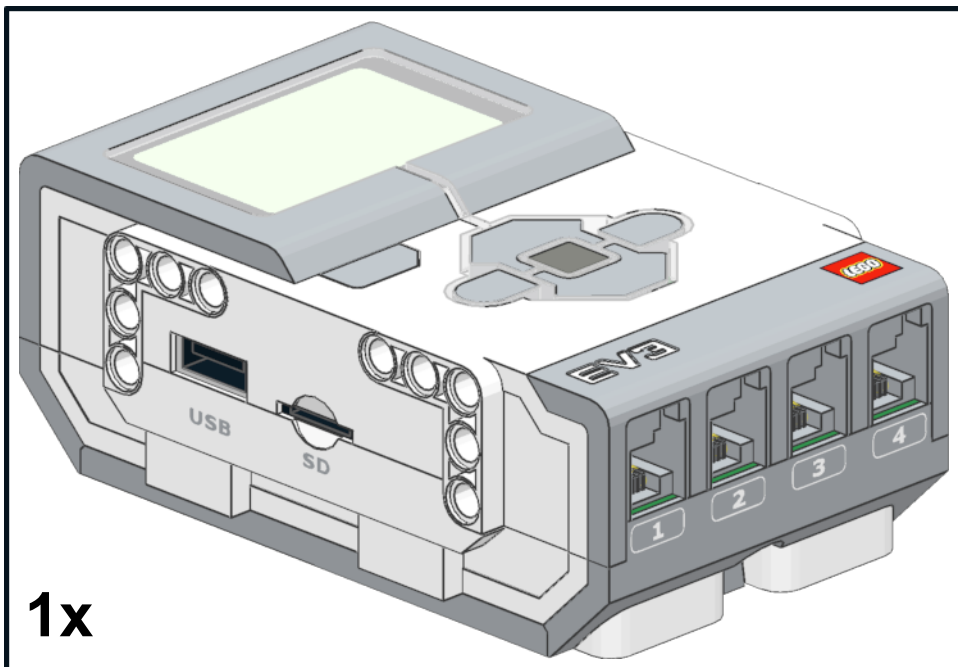
6
1x



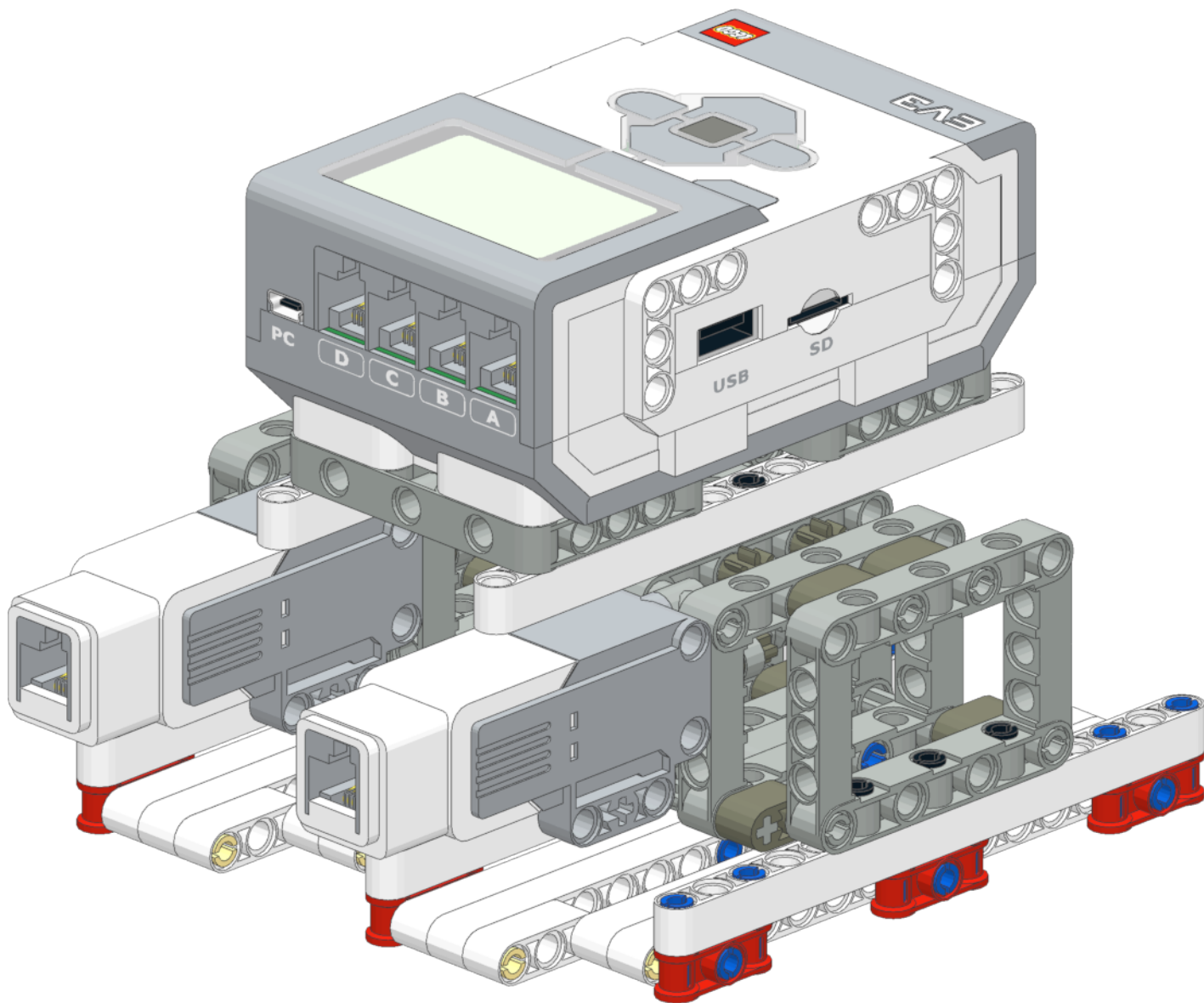
7



8



1x



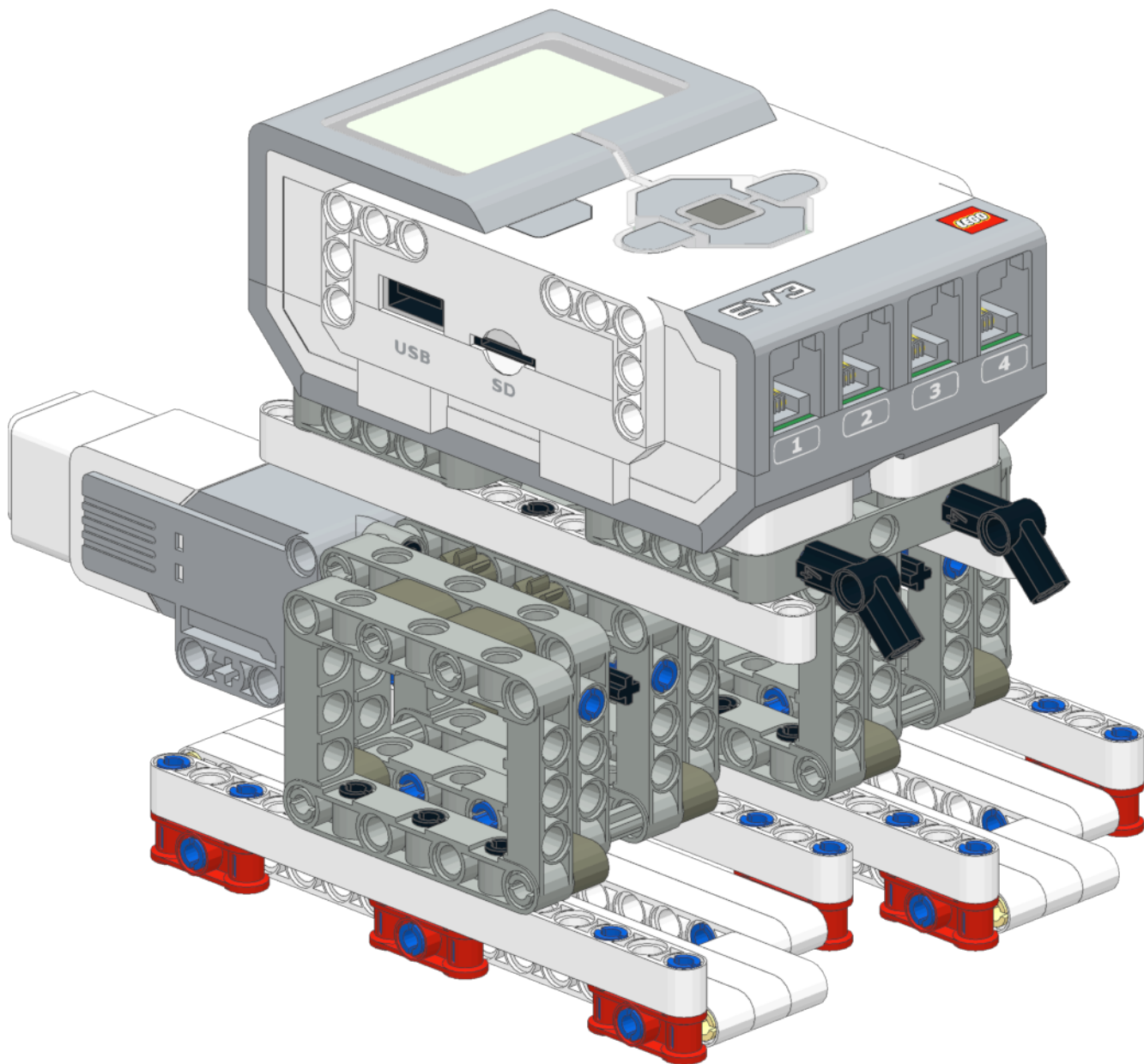
9



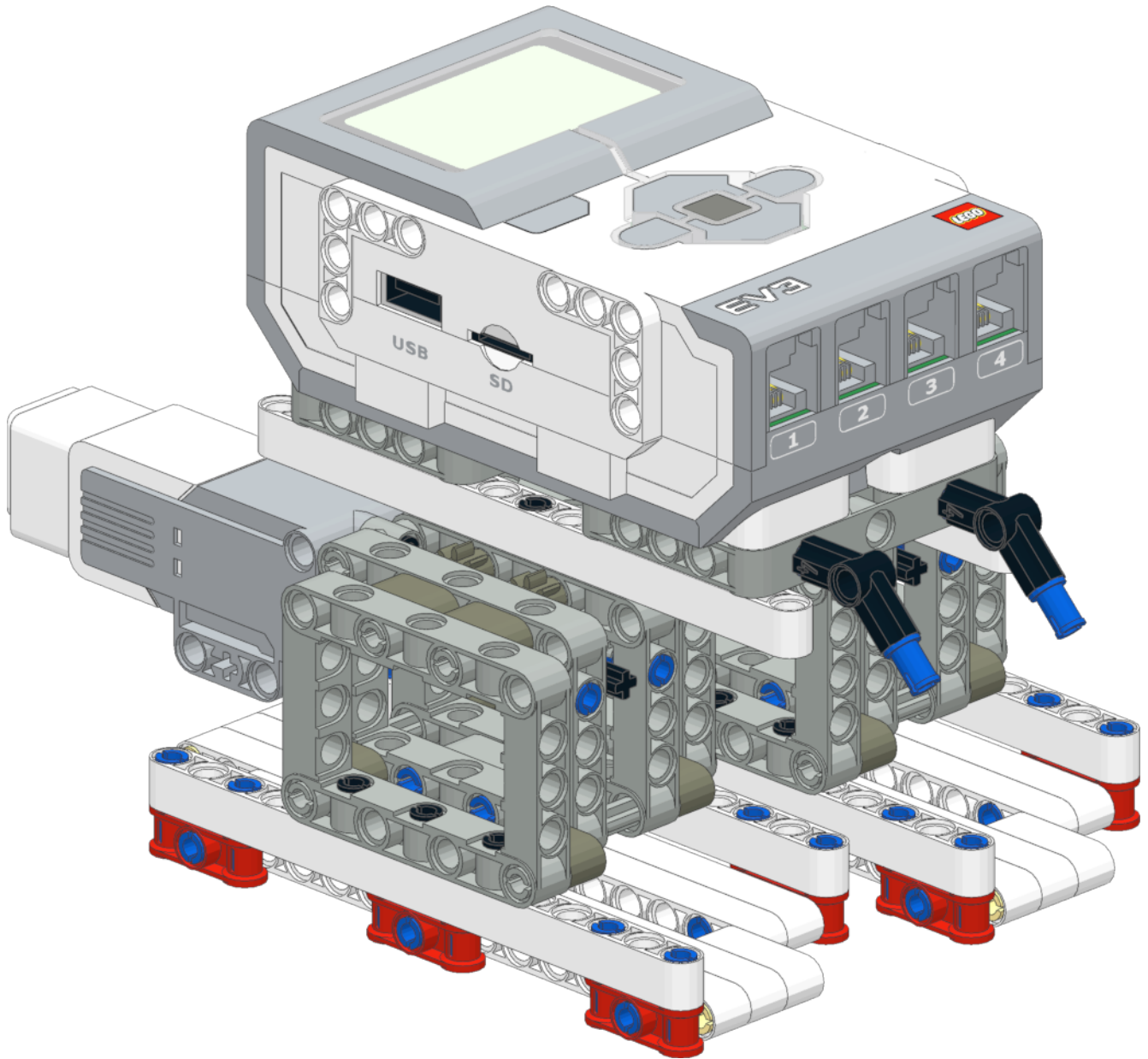
2x



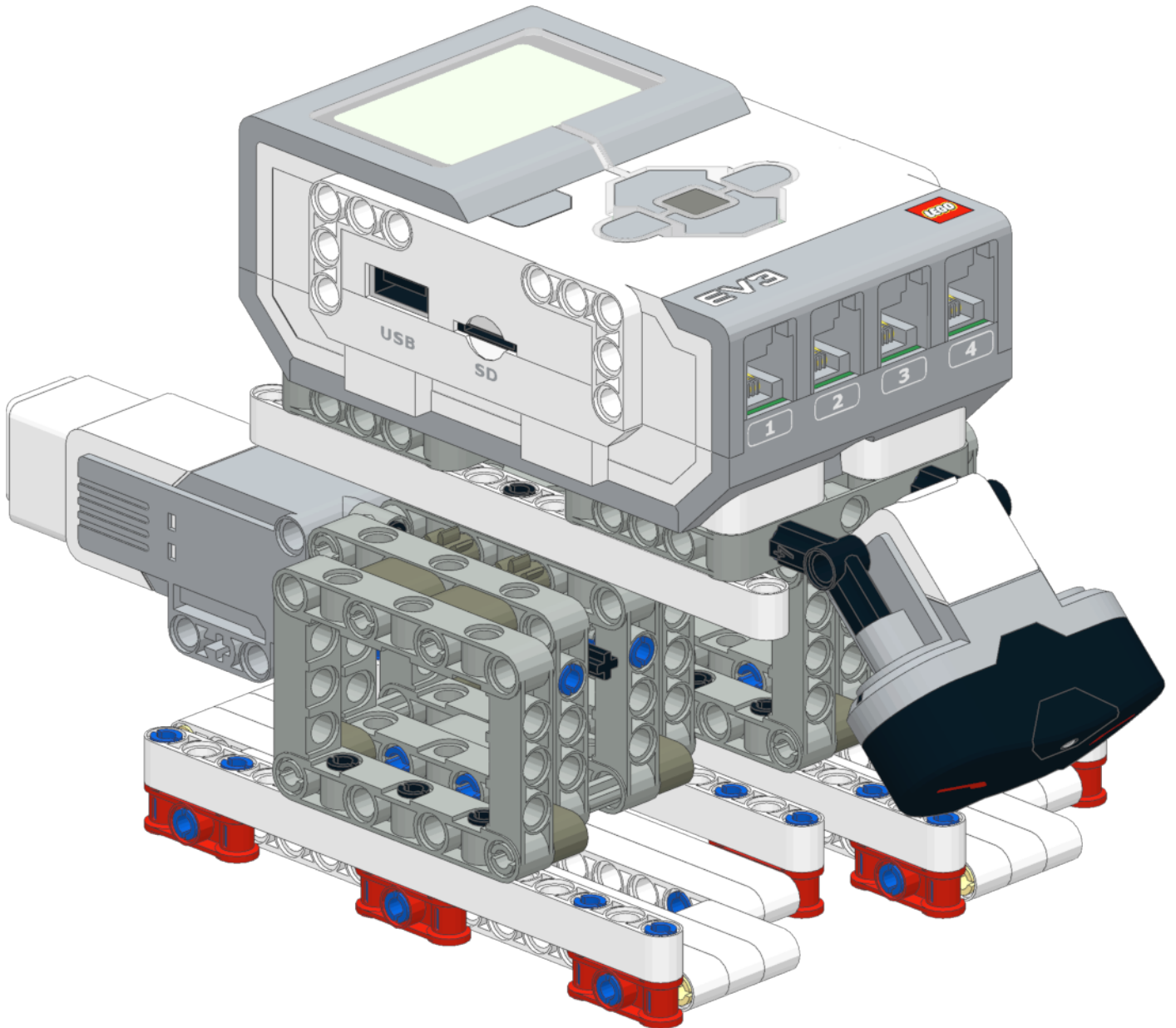
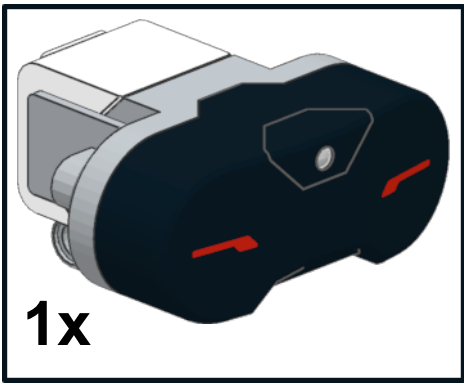
2x



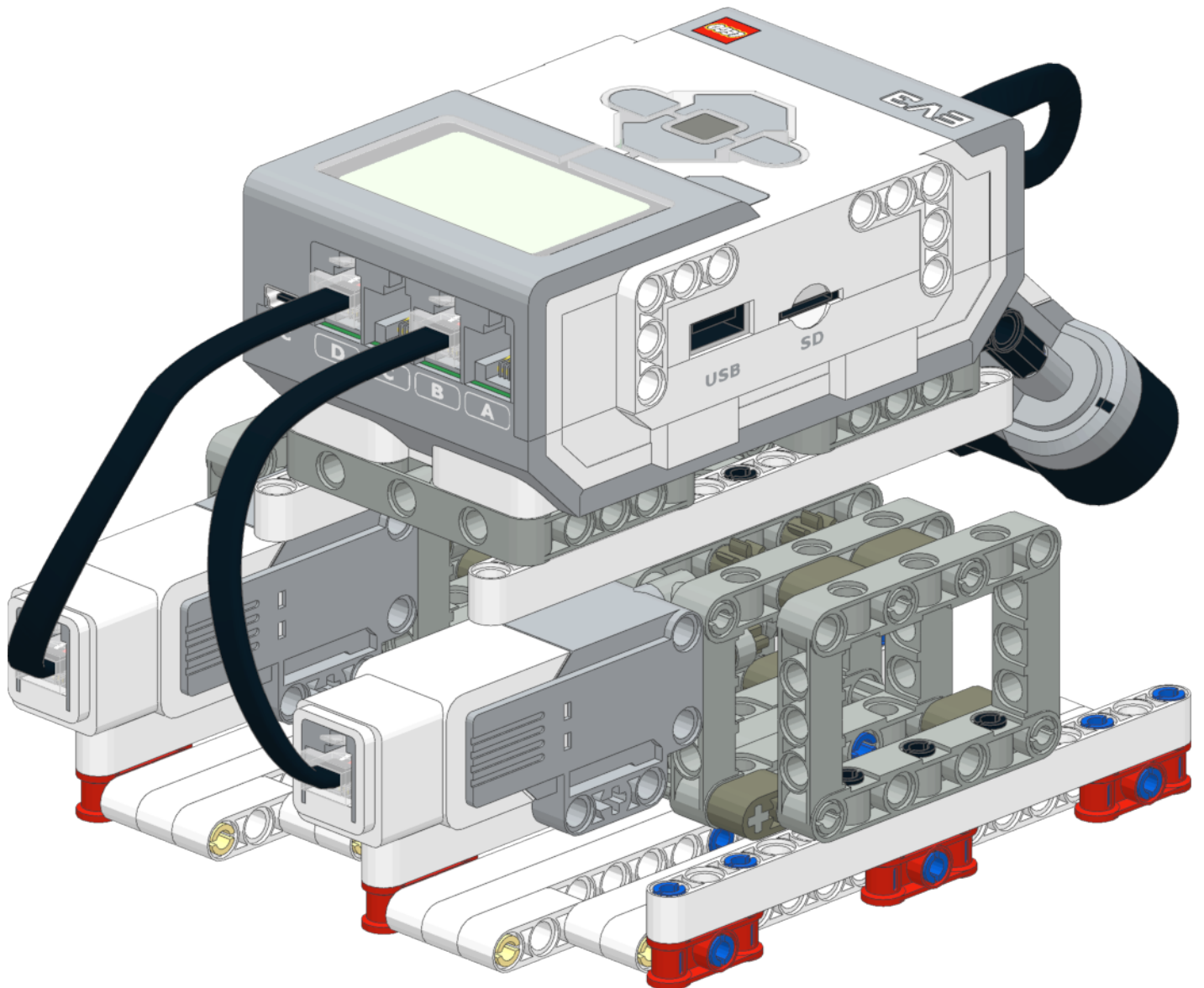
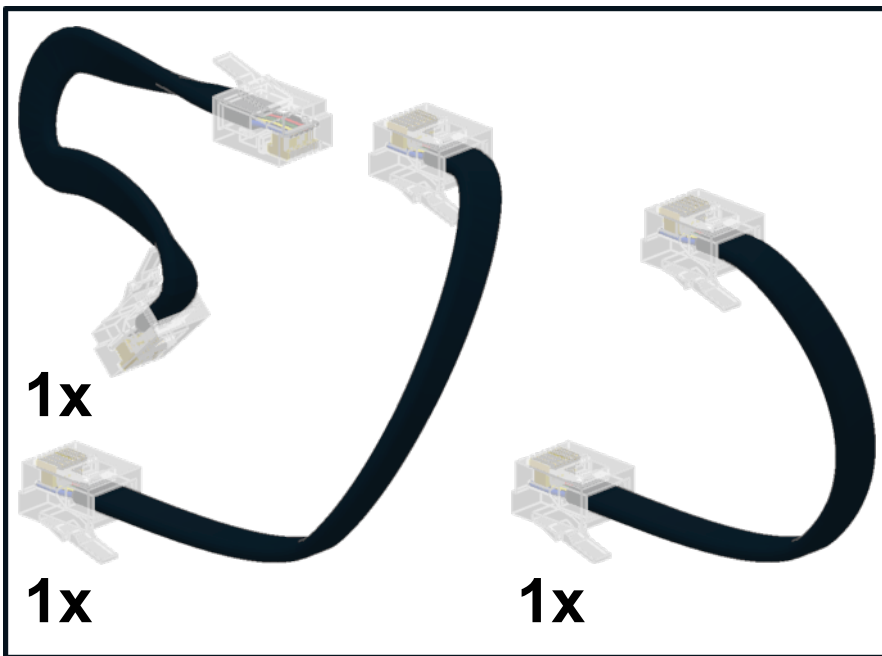
10



11



12



Sensor into port 2

