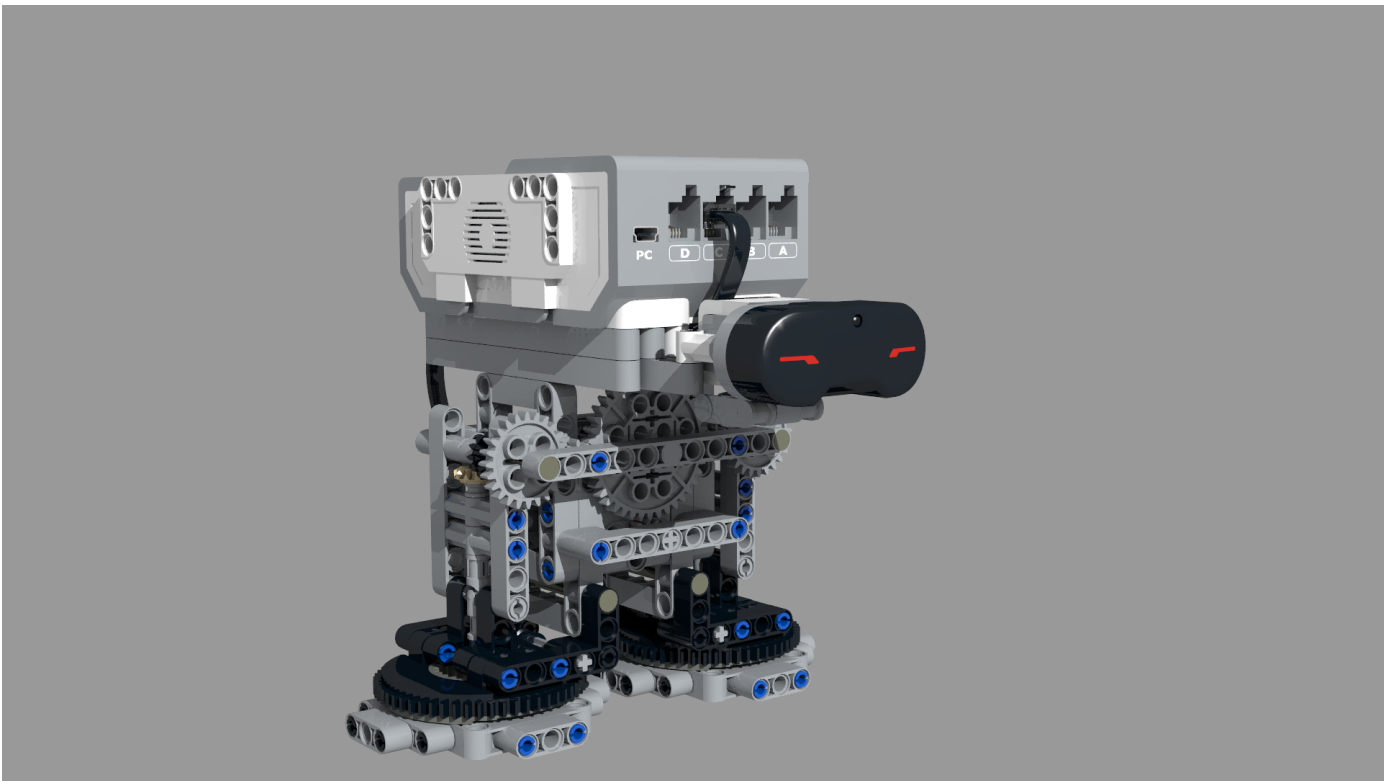


PIROU3TT3 v2

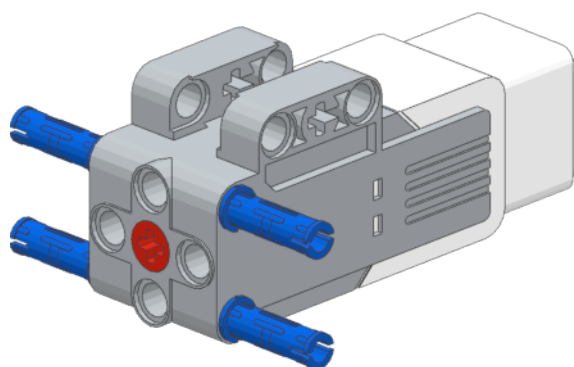
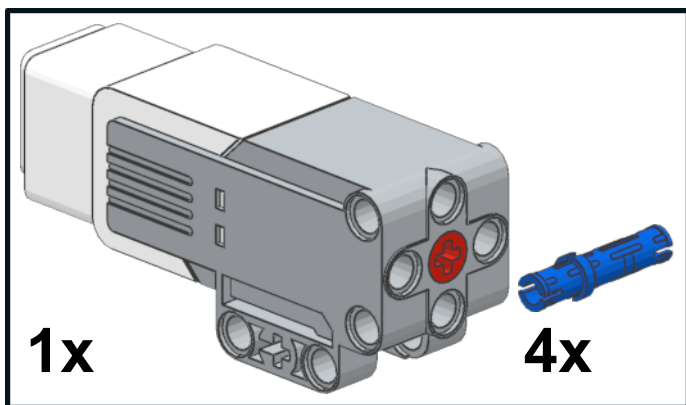
by

Stu Nicholls

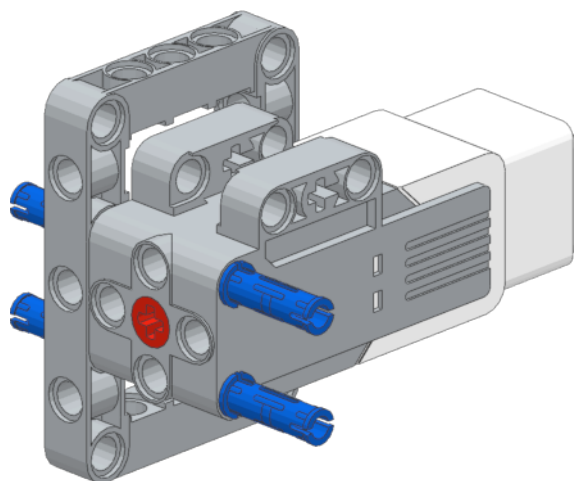
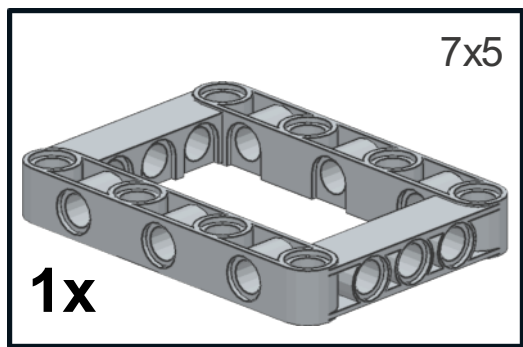
<http://www.stunicholls.com>




1



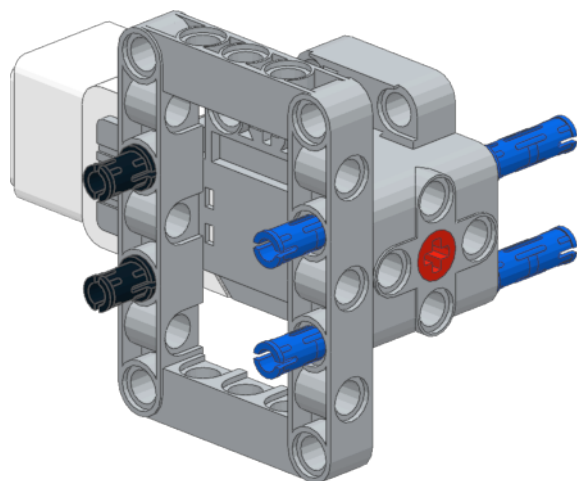
2



3



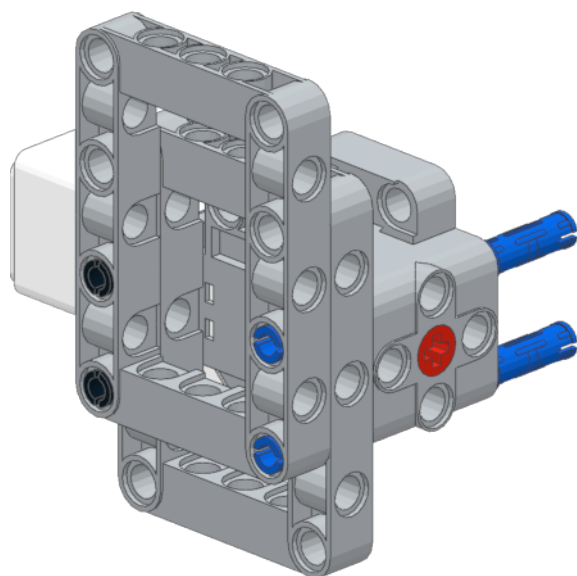
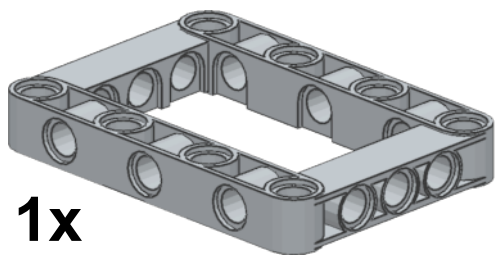
2x




4

7x5

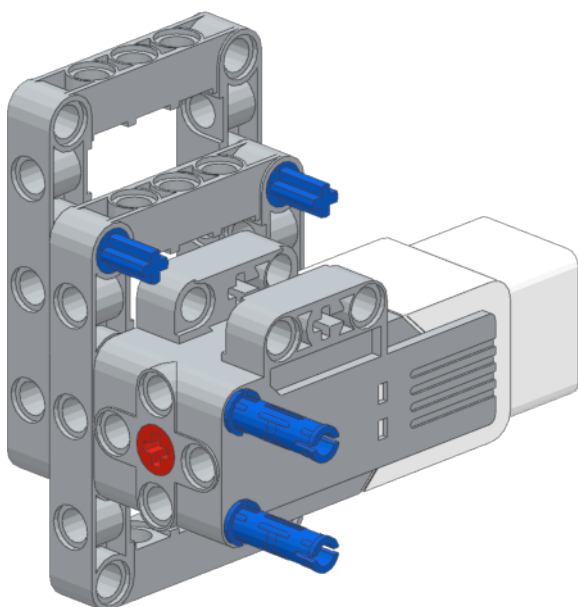
1x



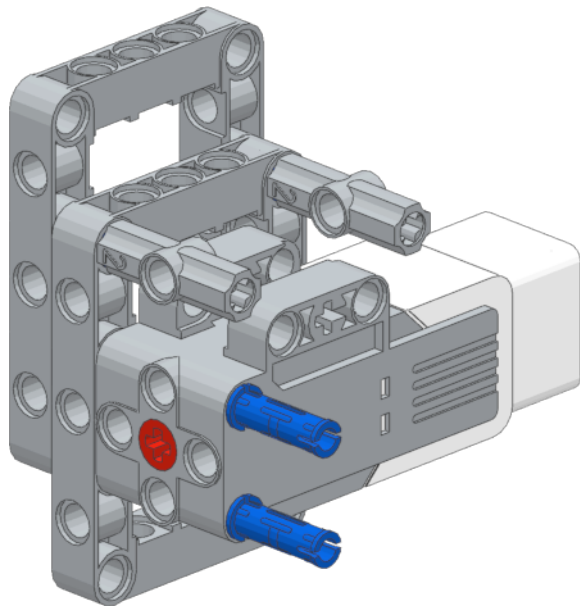
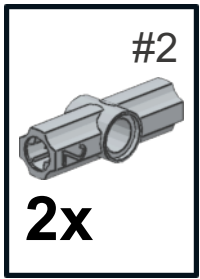
5



2x



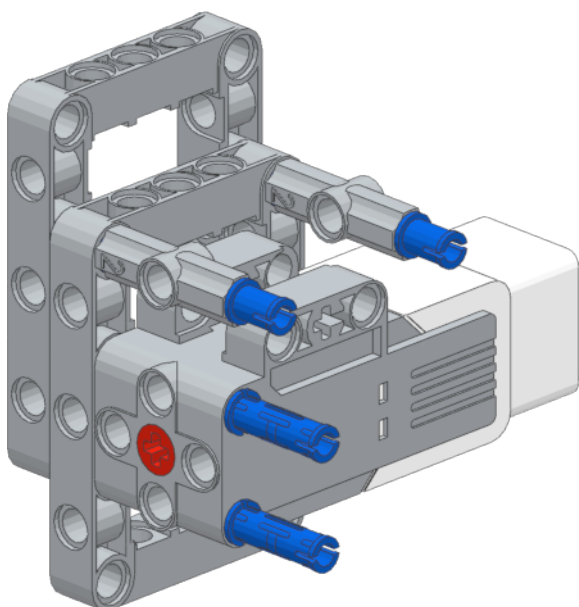
6



7



2x



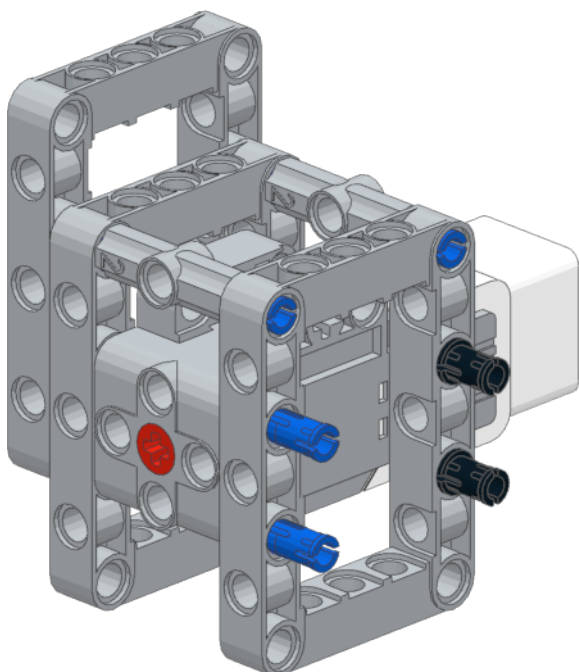
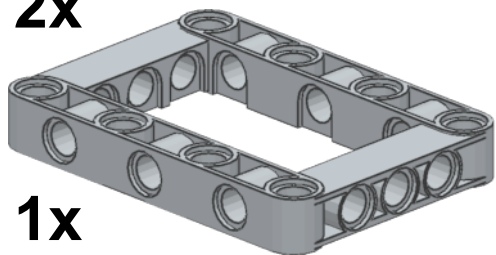
8



2x

7x5

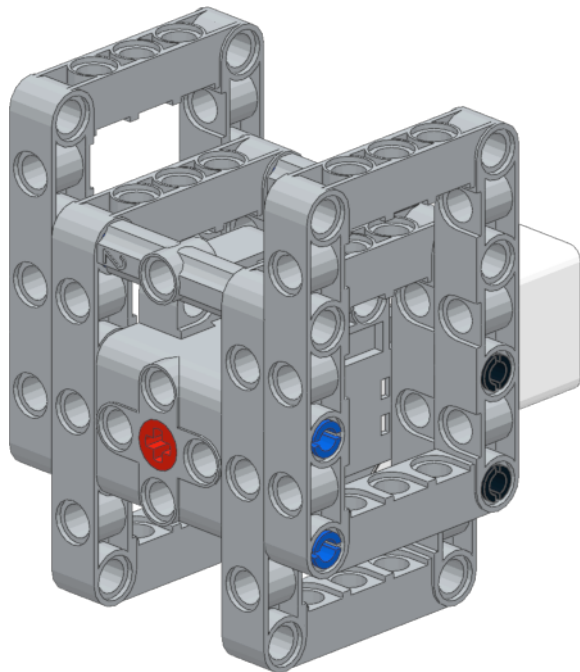
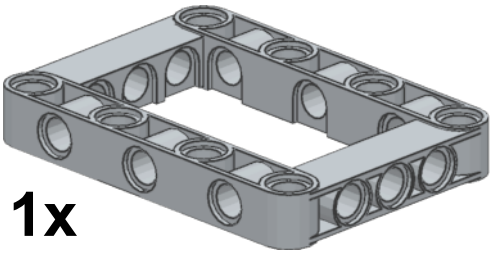
1x



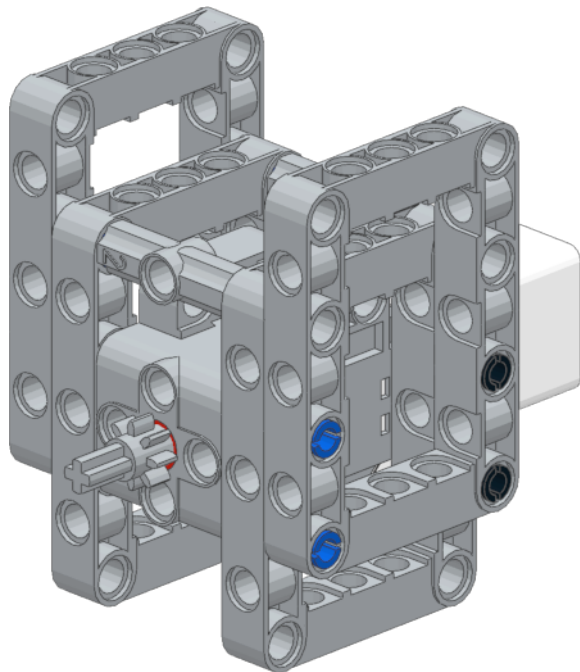
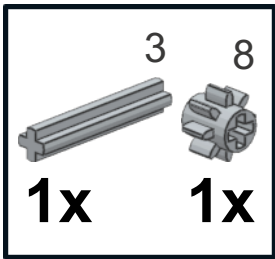
9

7x5

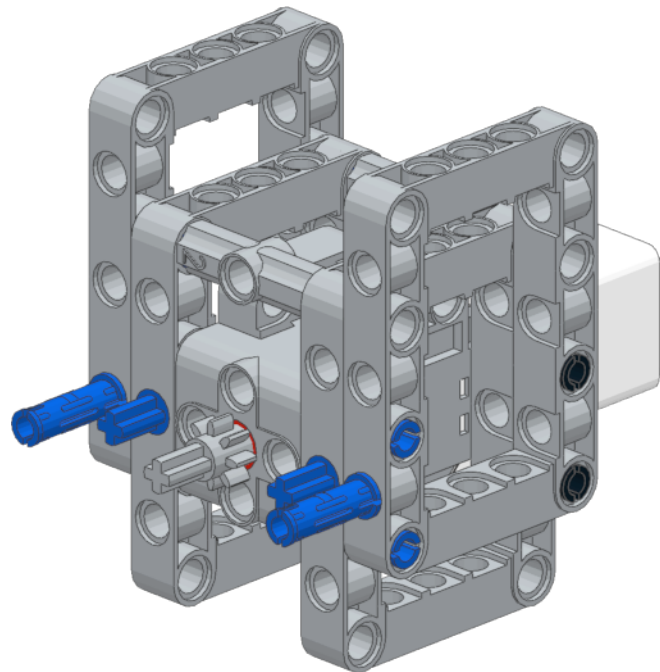
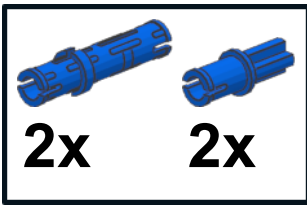
1x



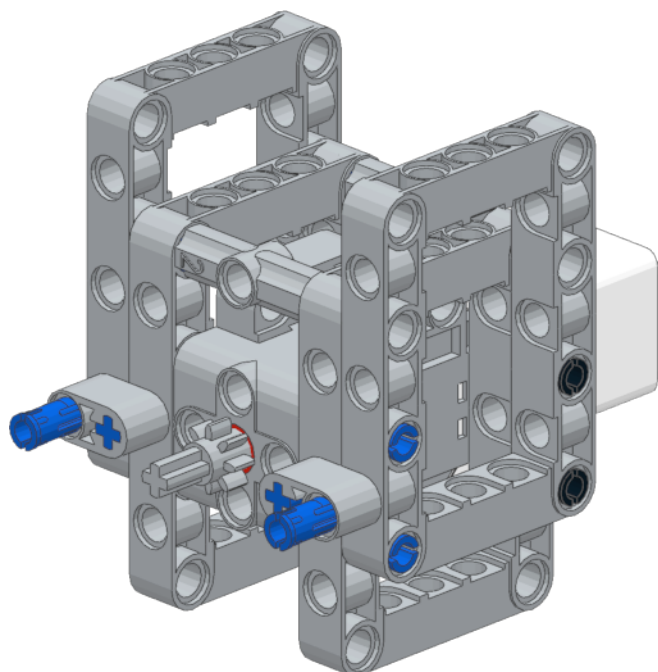
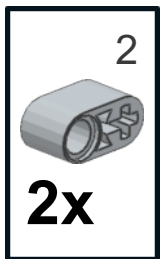
10



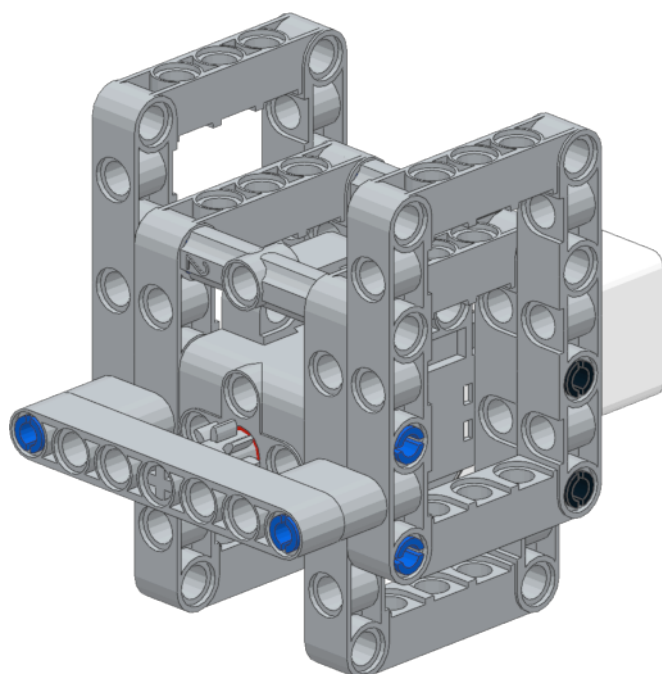
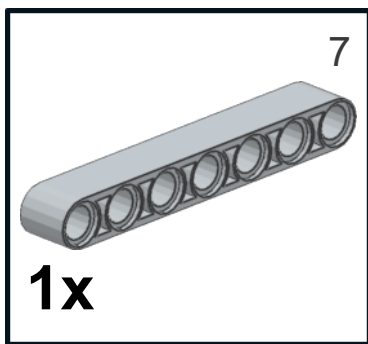
11



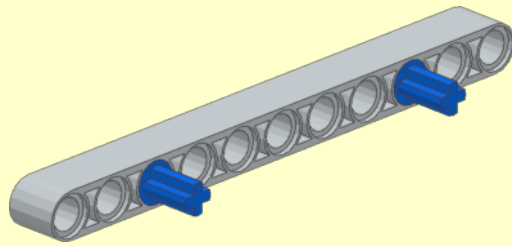
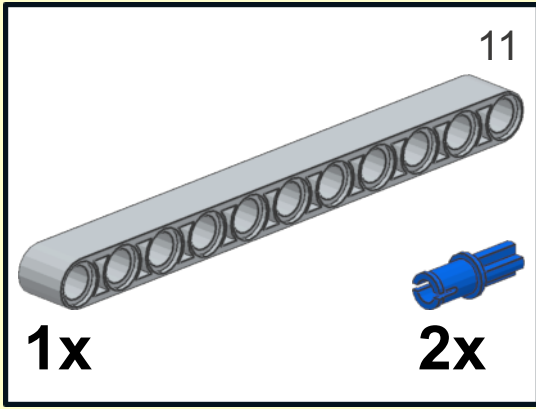
12



13



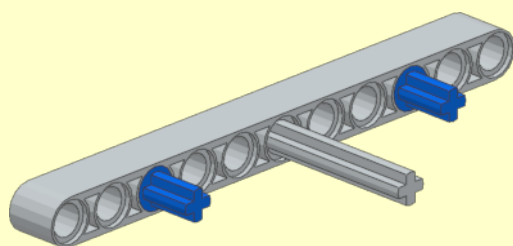
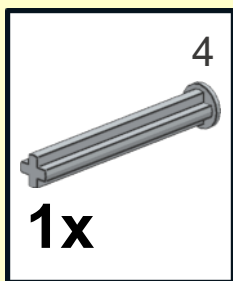
1



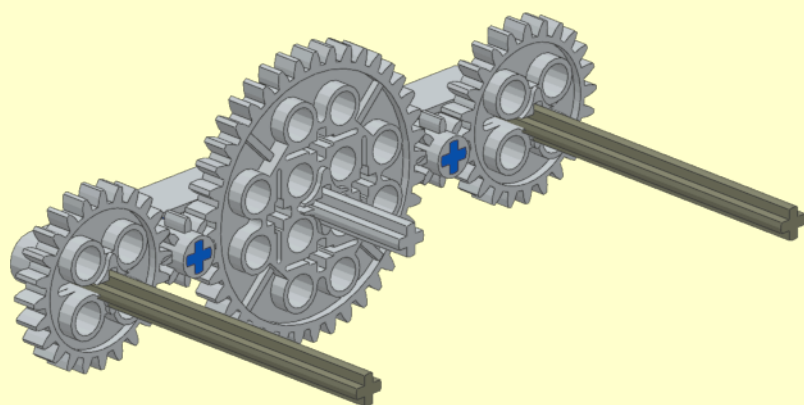
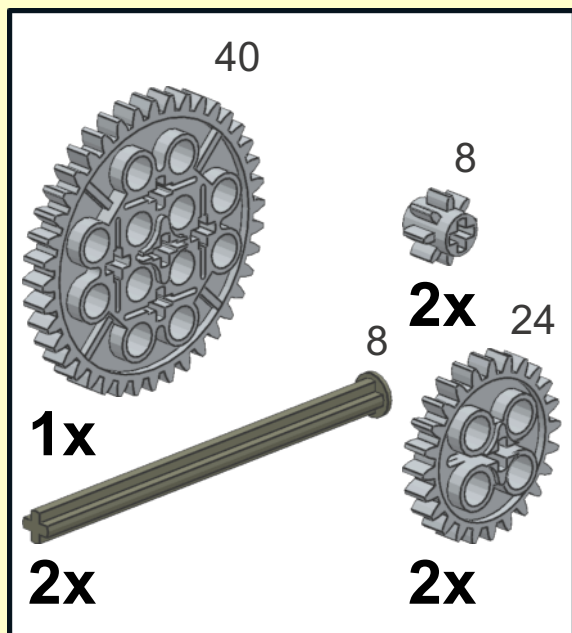
NOTE

These are friction pins

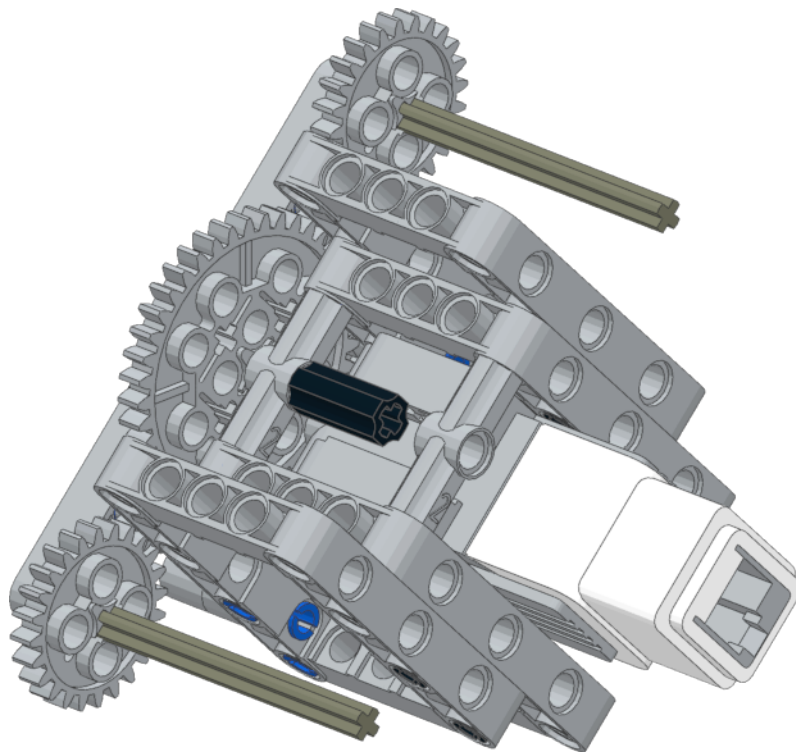
2



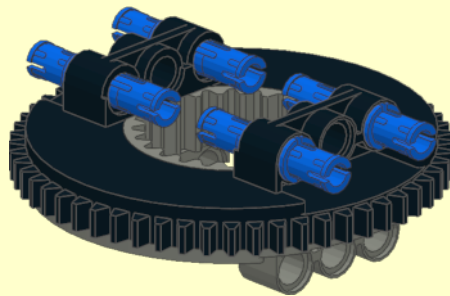
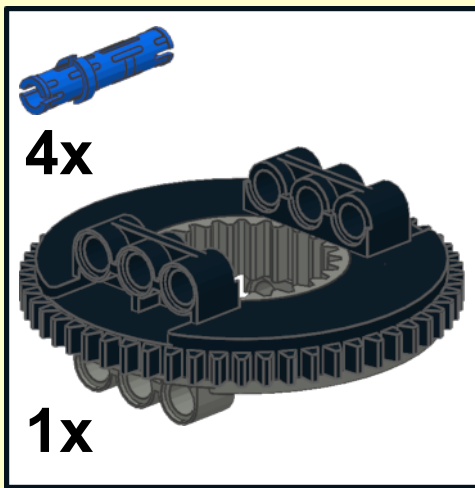
3



14



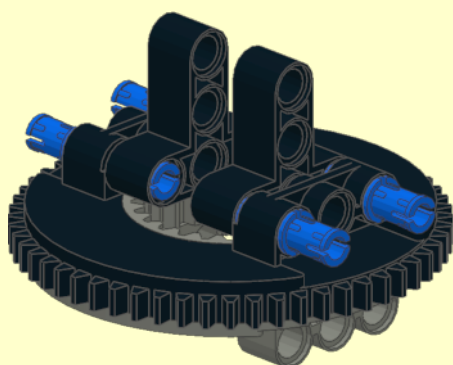
1



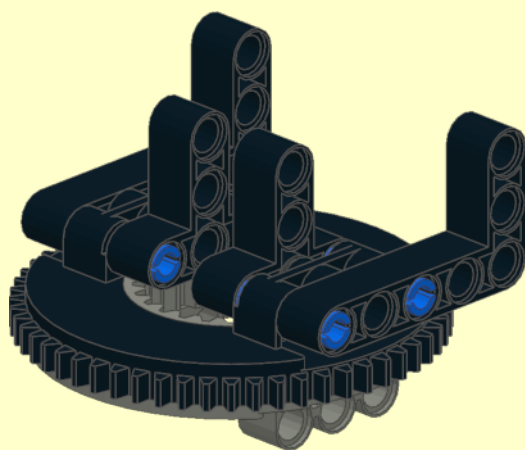
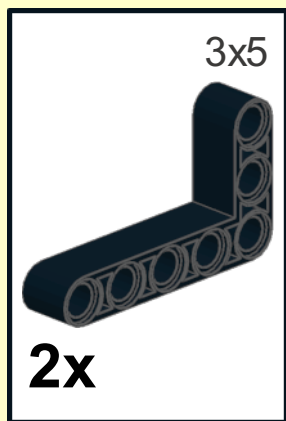
NOTE

TWO of these sub assemblies required


2



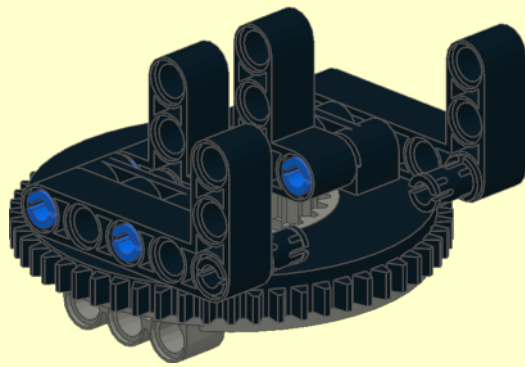
3



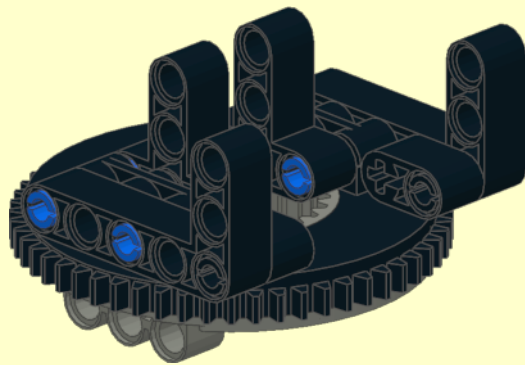
4



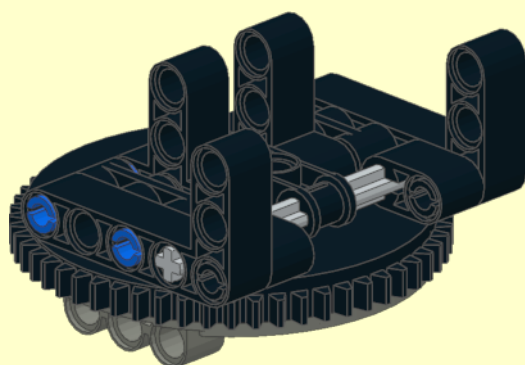
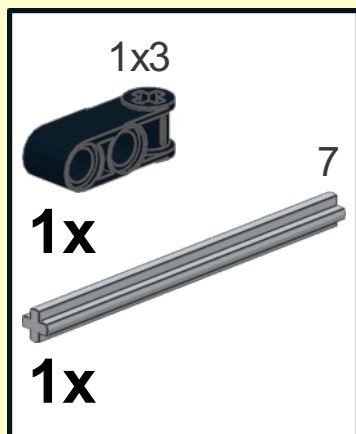
2x



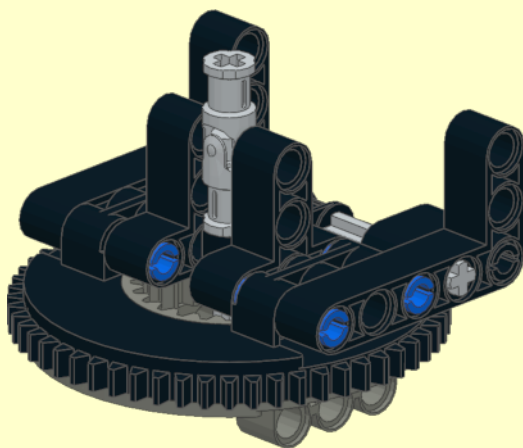
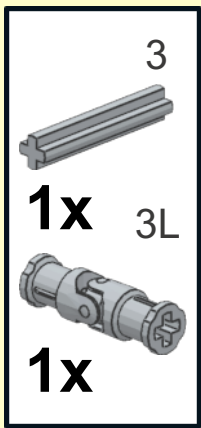
5



6



7



8

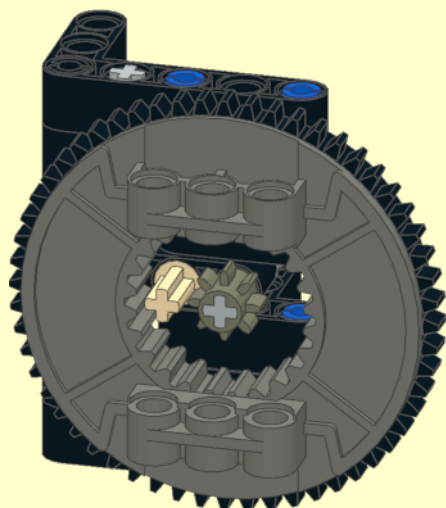
8



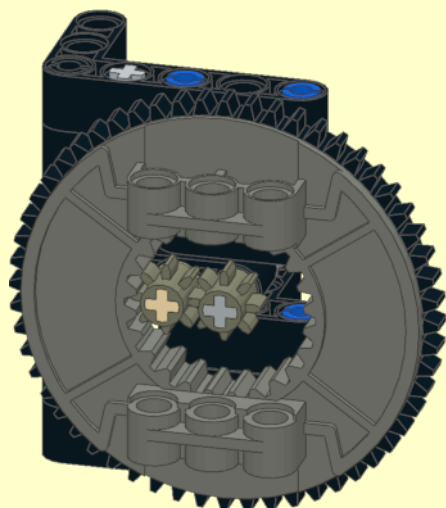
1x



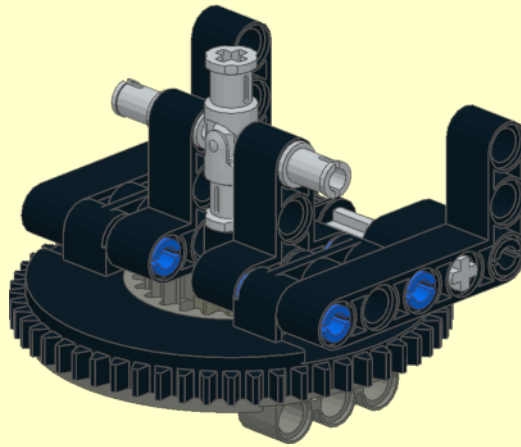
1x



9



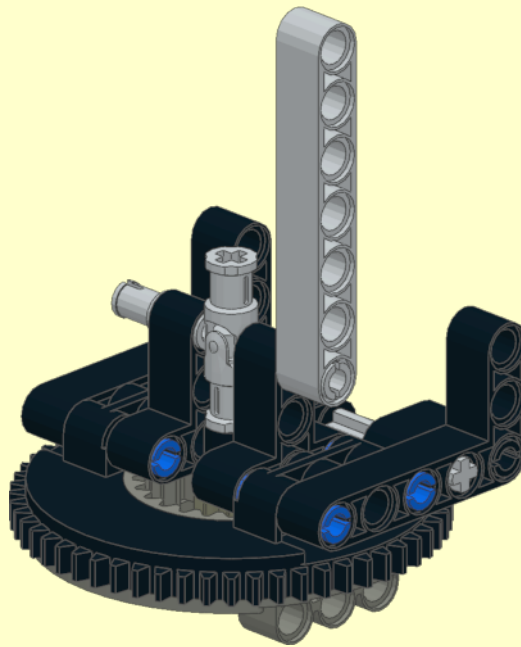
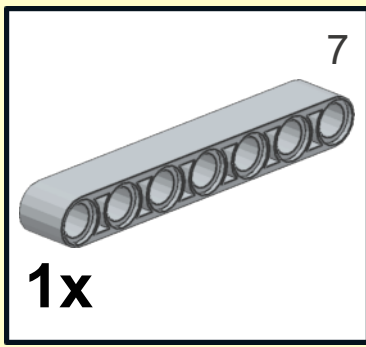
10



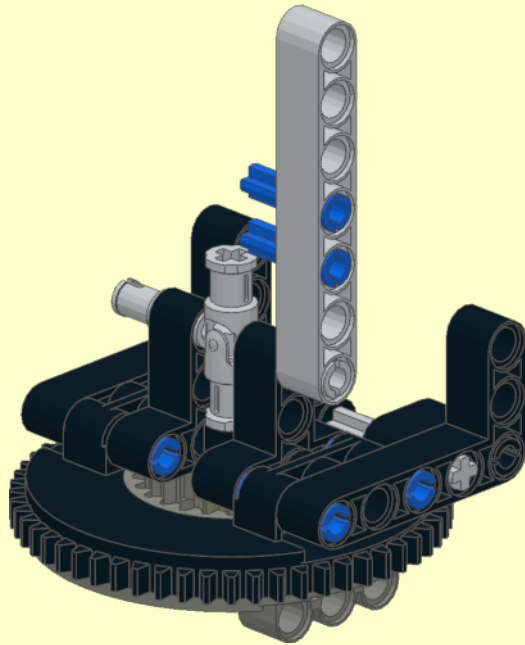
NOTE

These are frictionless pins

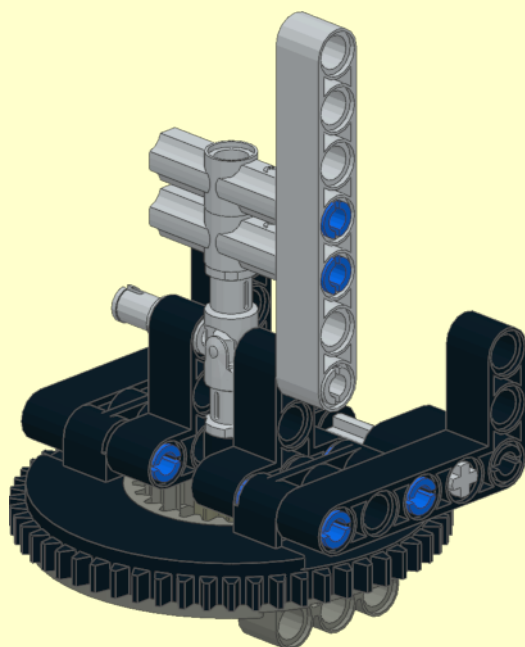
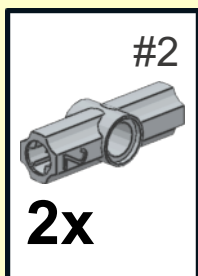
11



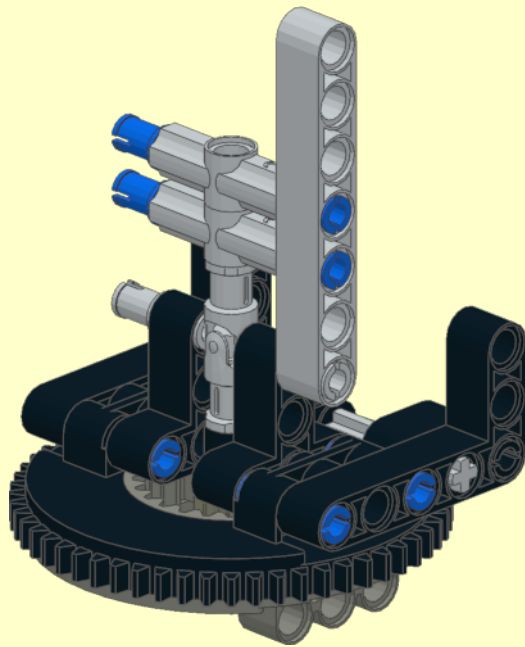
12



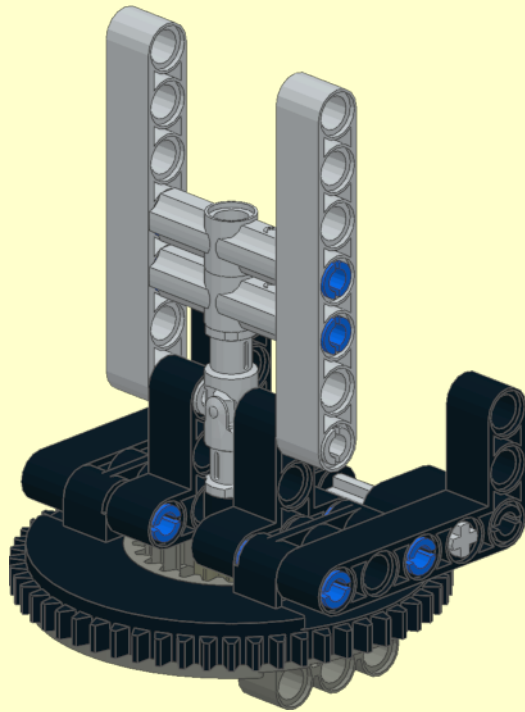
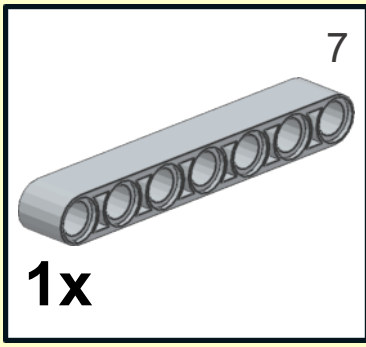
13



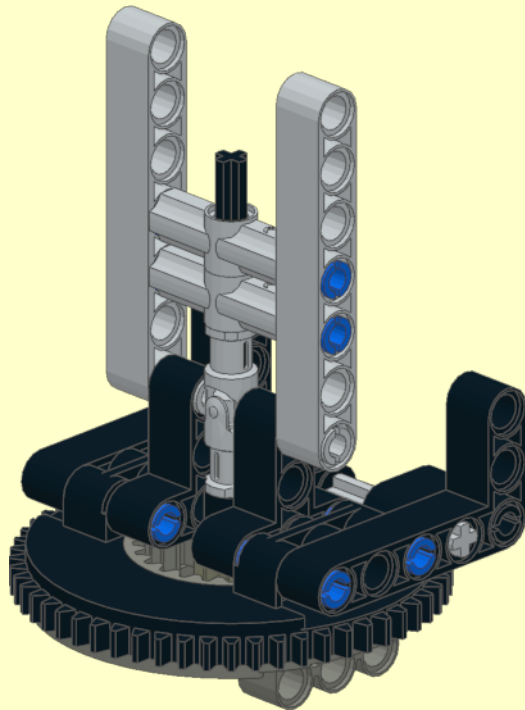
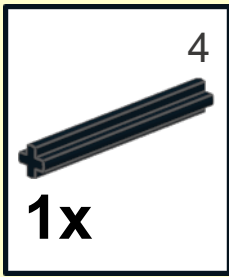
14



15



16

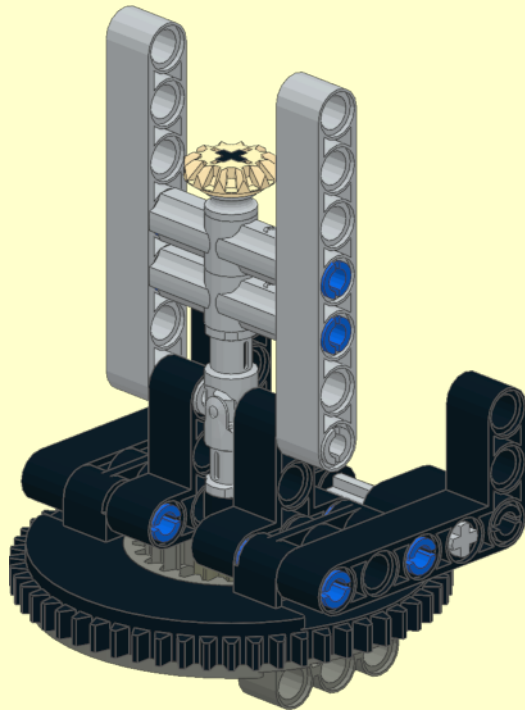


17

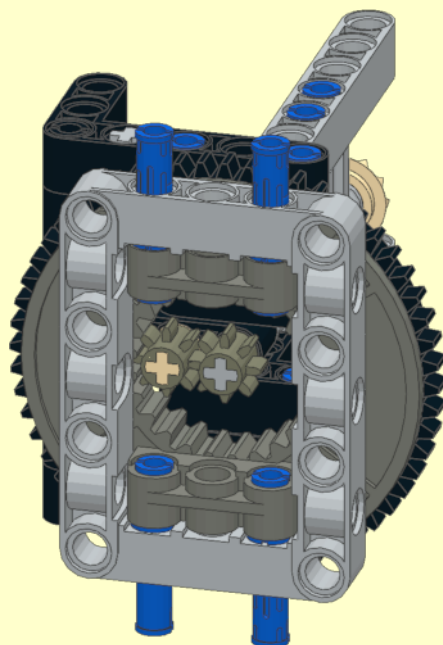
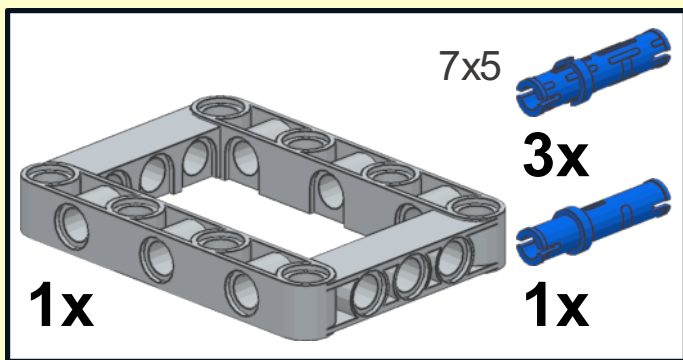
12



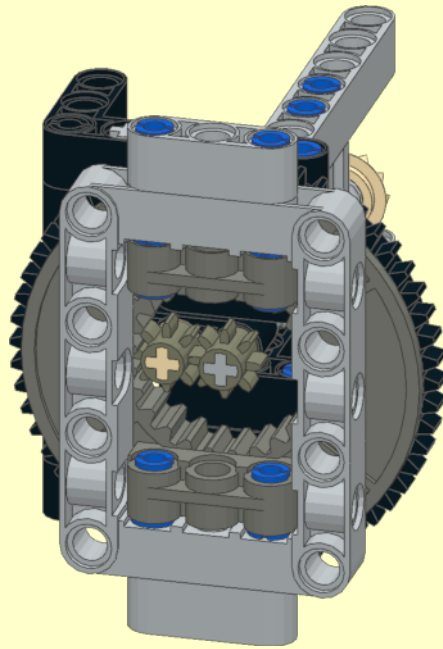
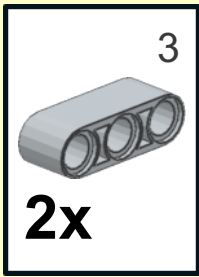
1x 1x



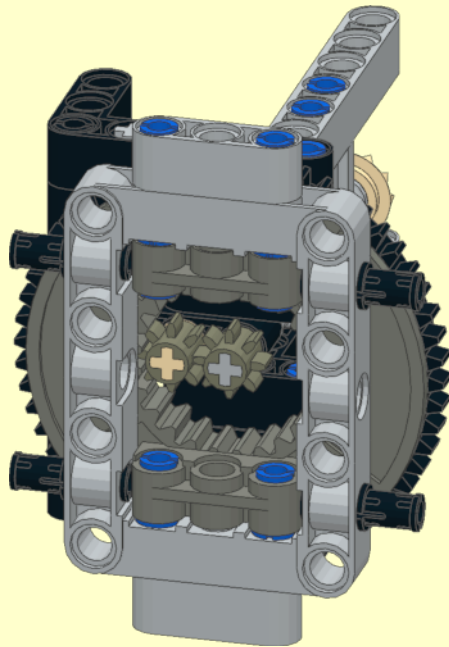
18



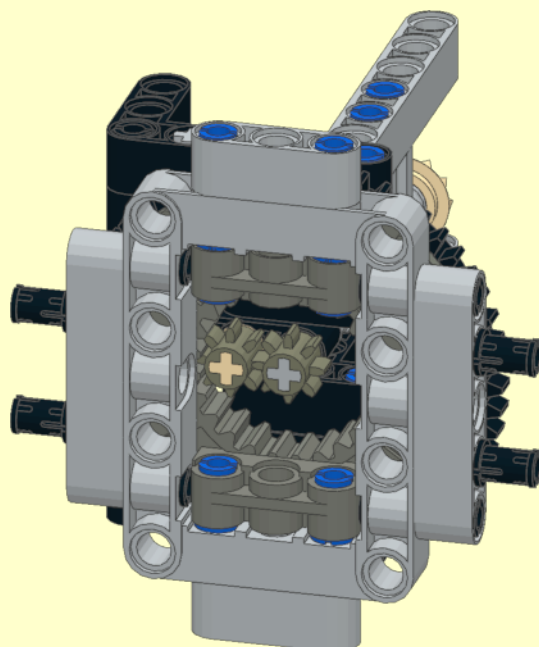
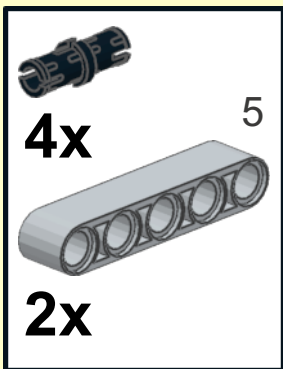
19



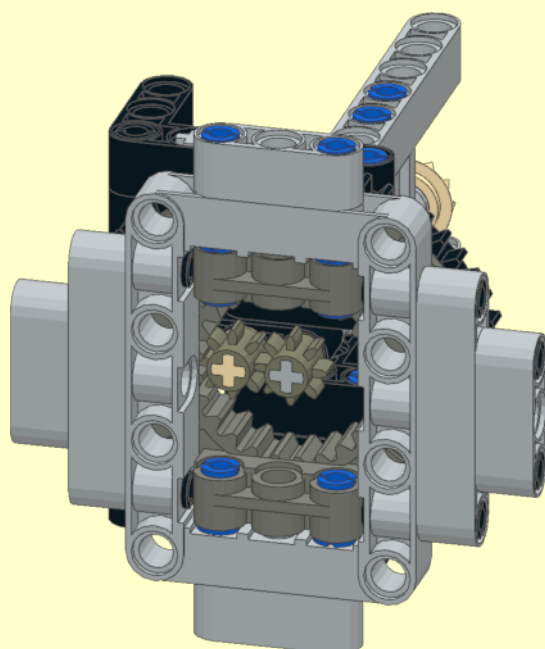
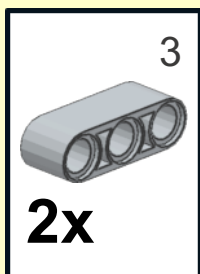
20



21



22



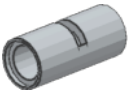
x2

15

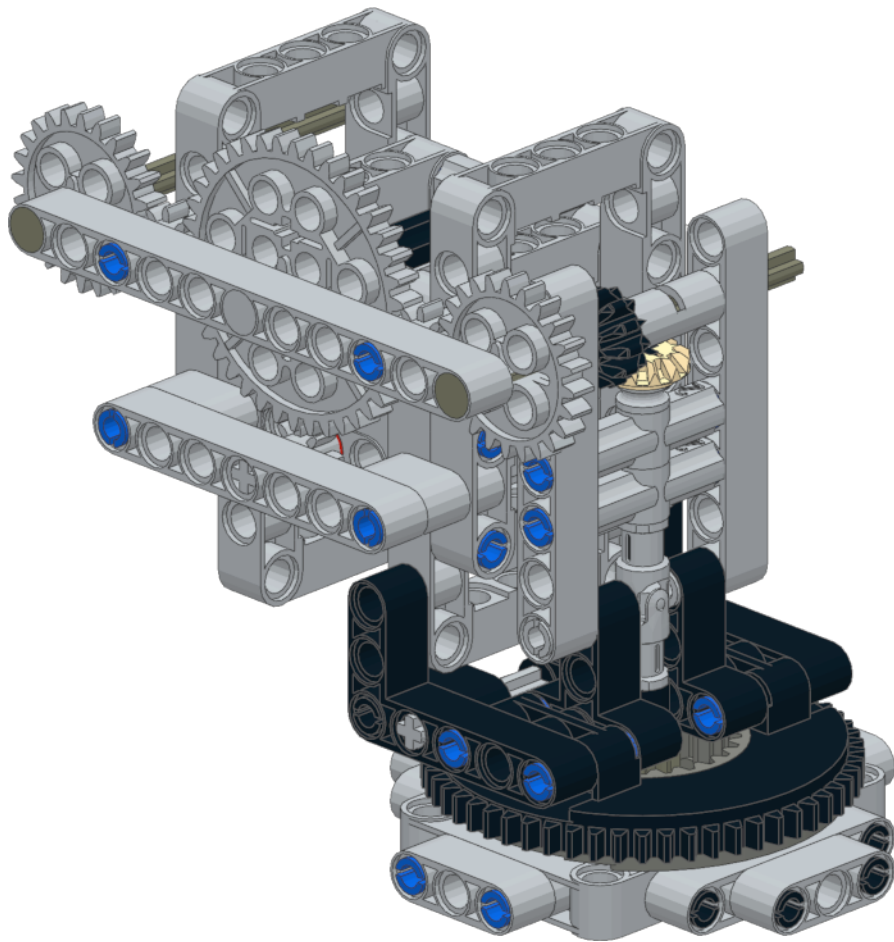
12



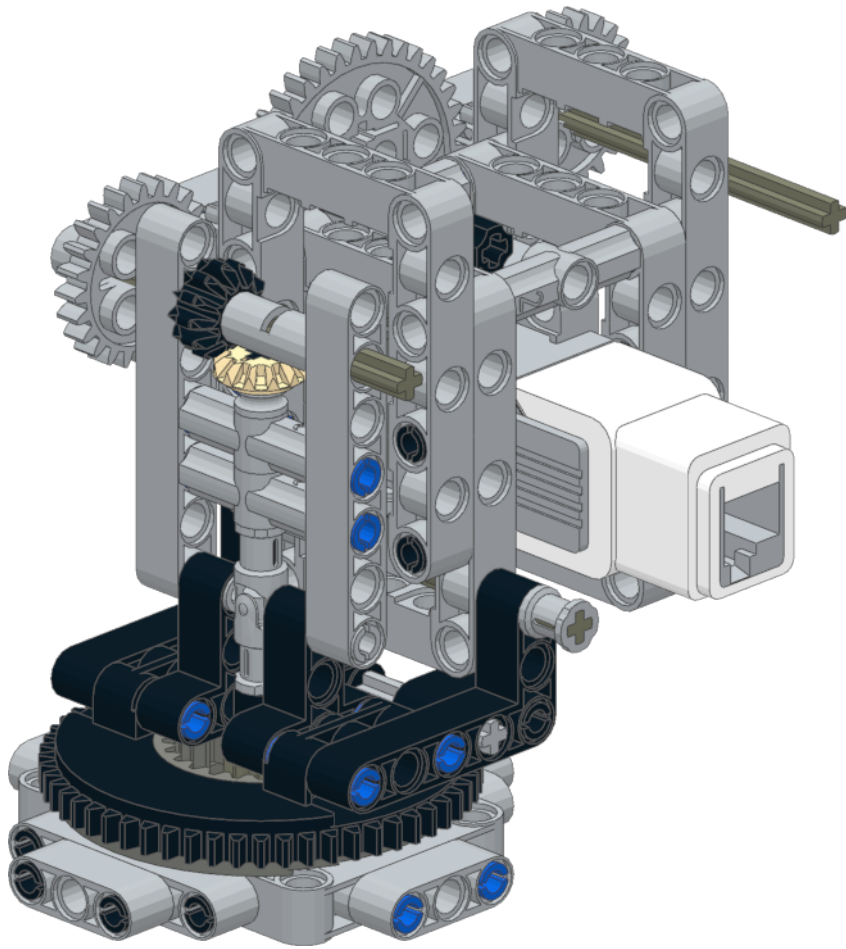
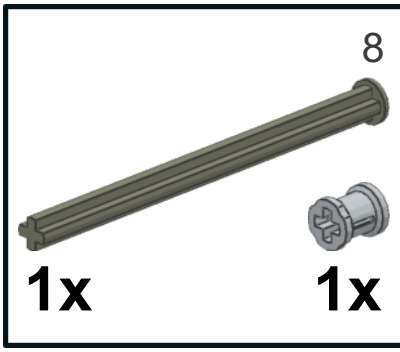
1x



1x



16

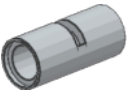


17

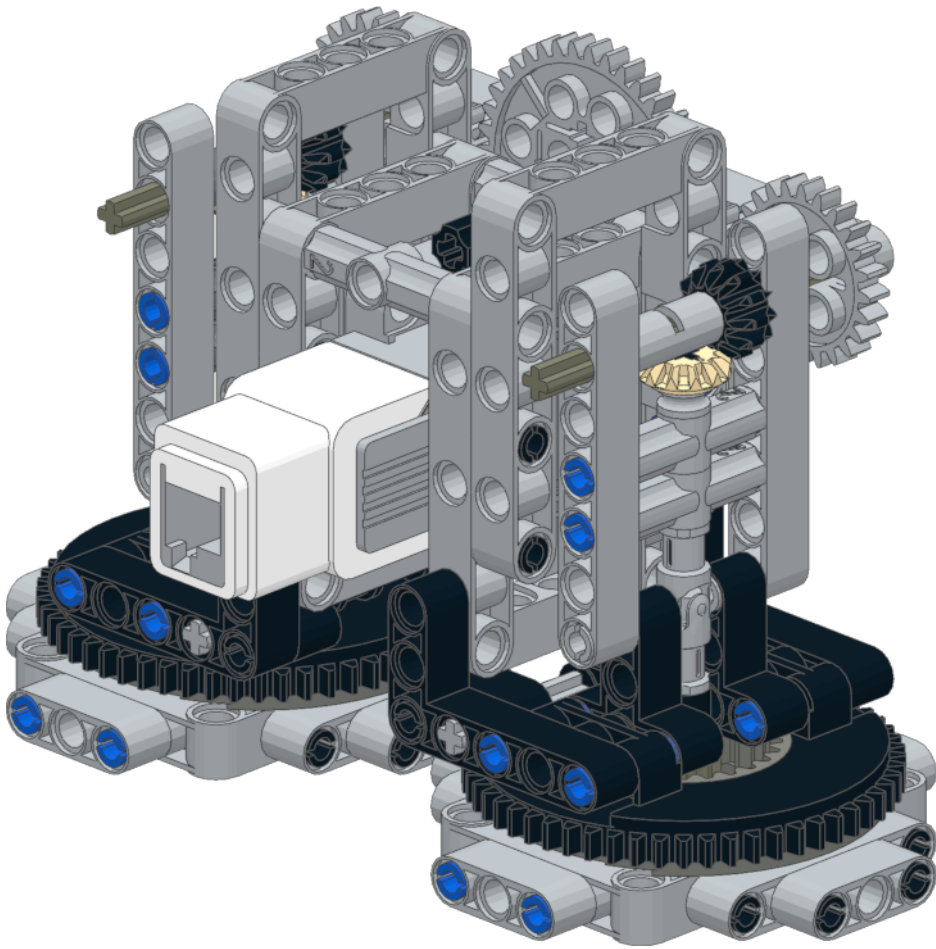
12



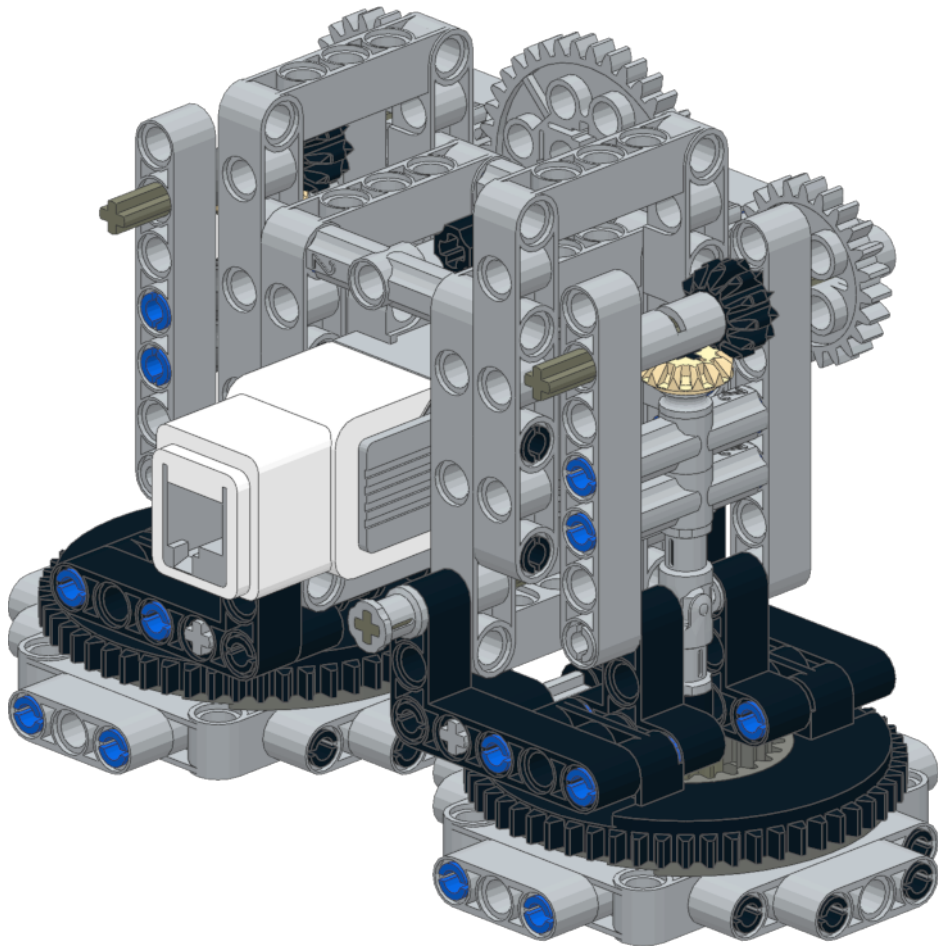
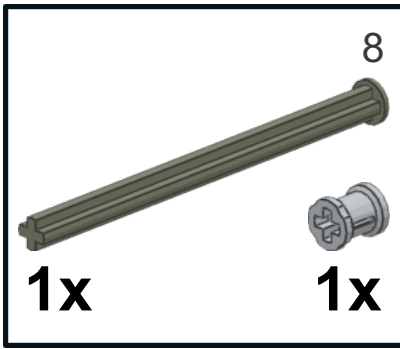
1x



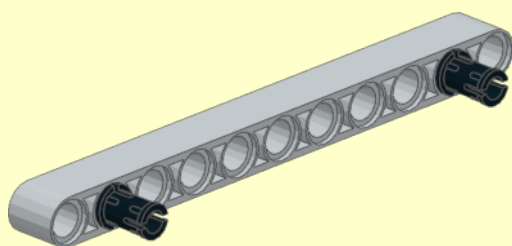
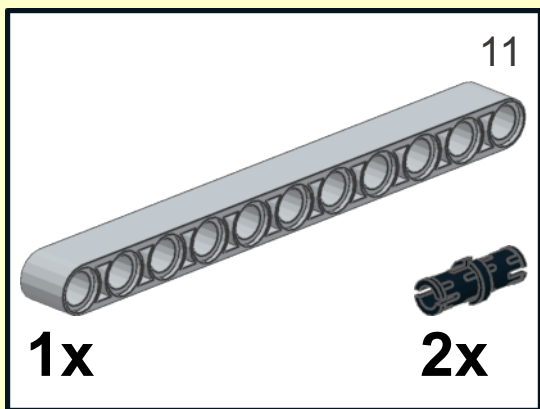
1x



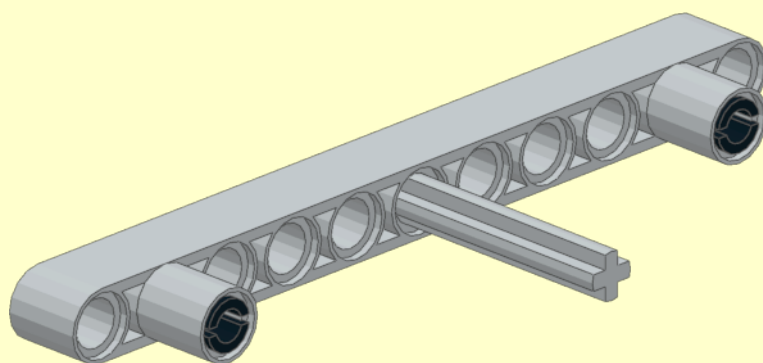
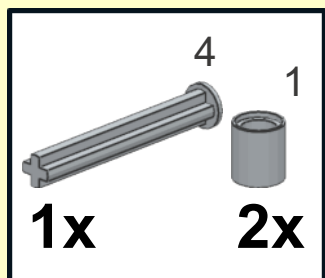
18



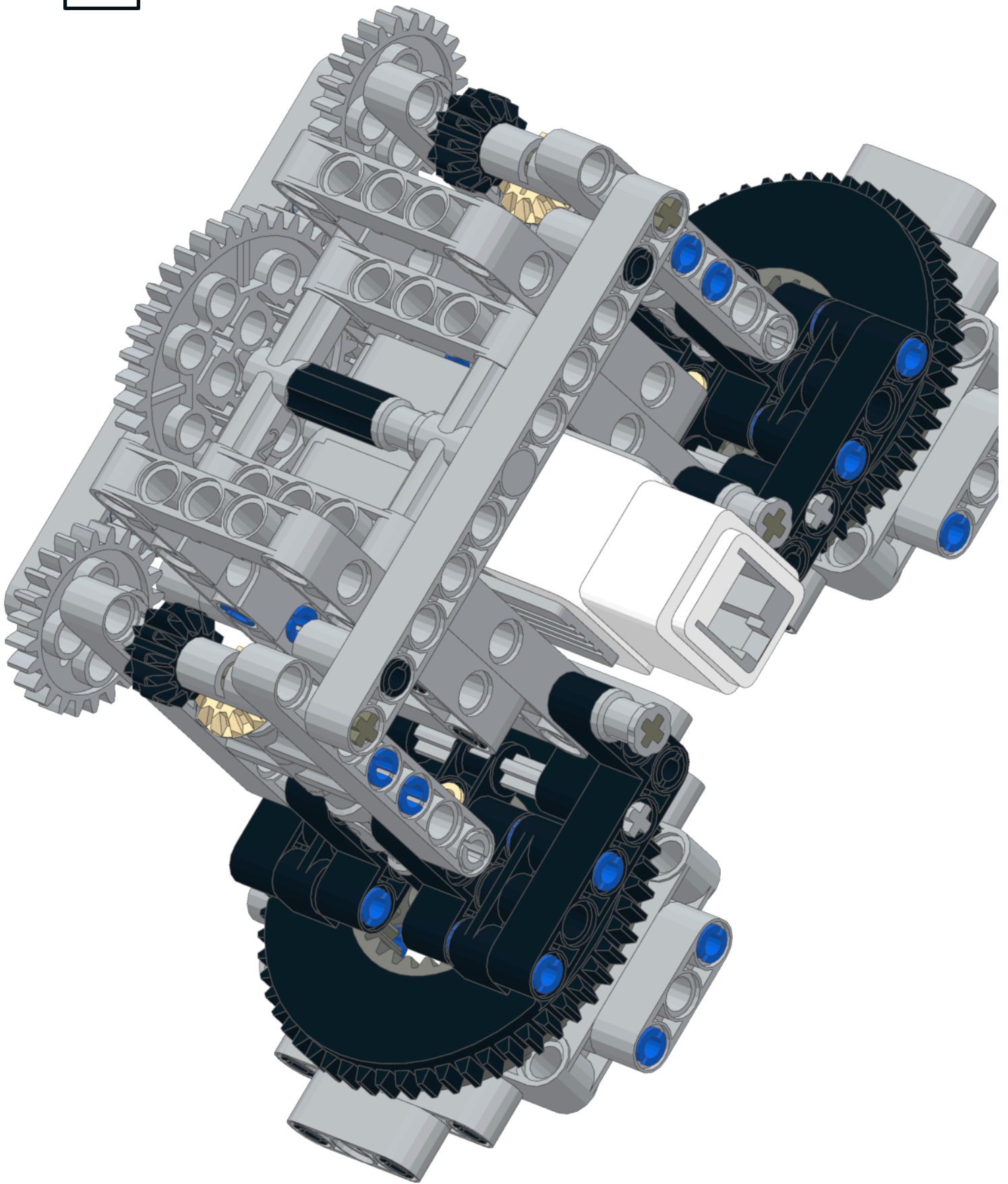
1



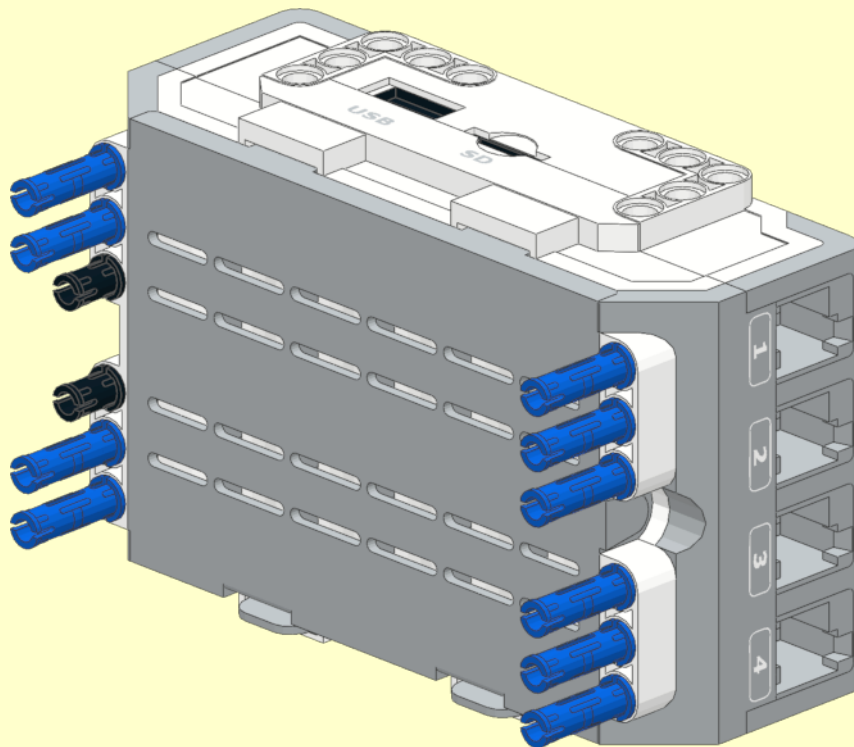
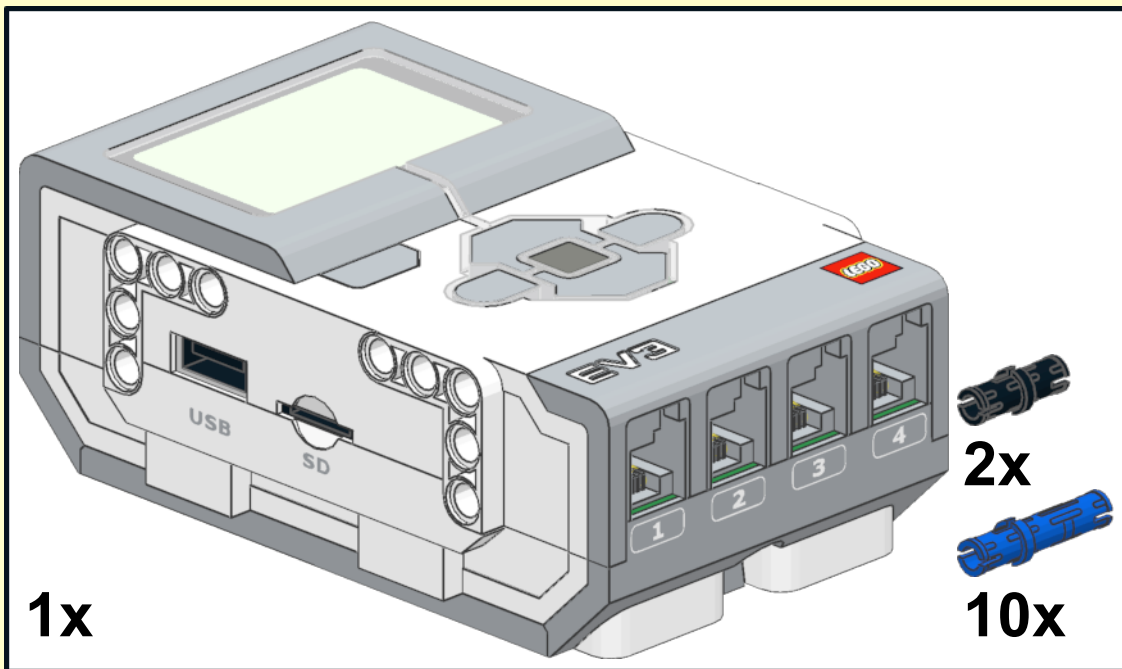
2



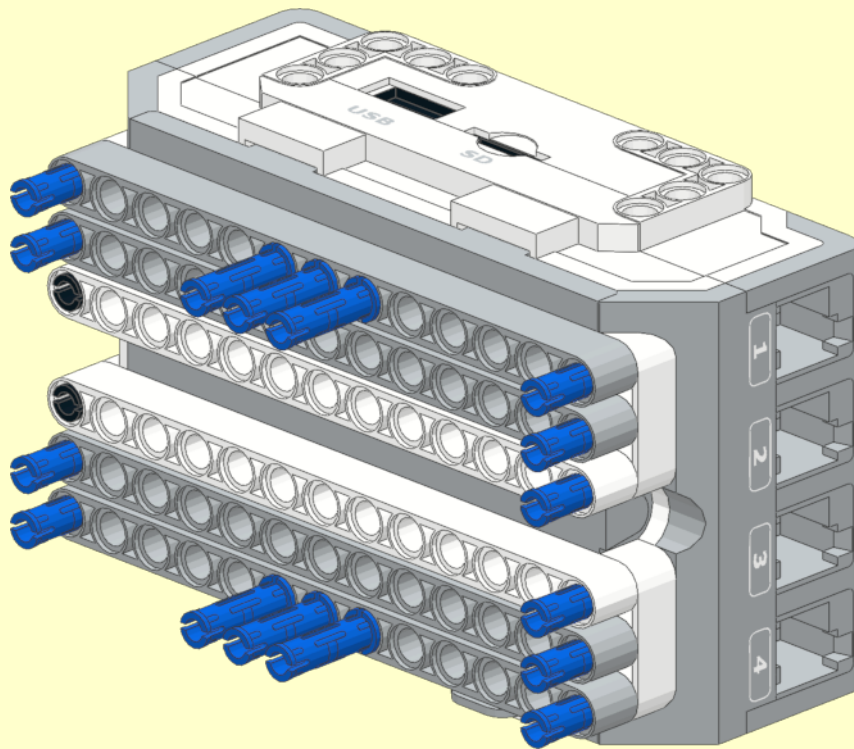
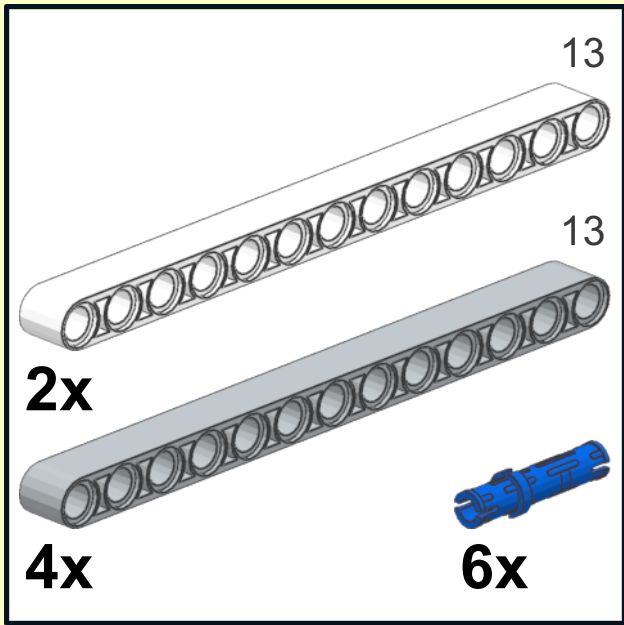
19



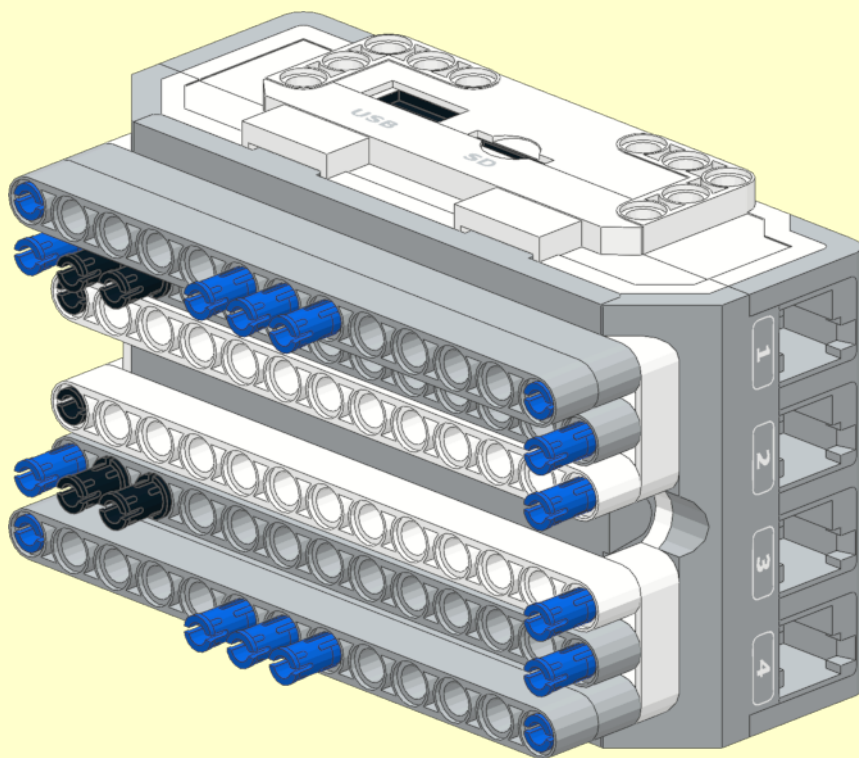
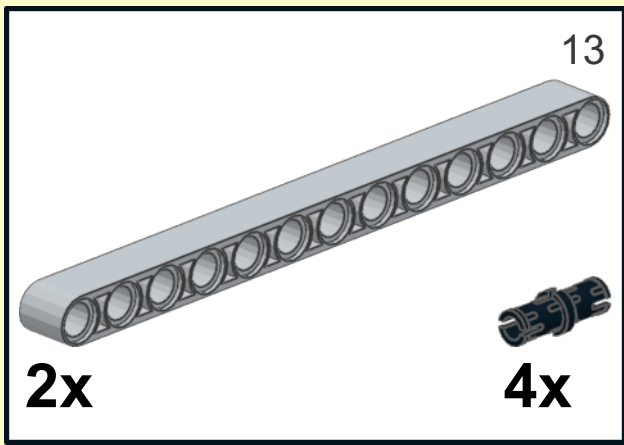
1



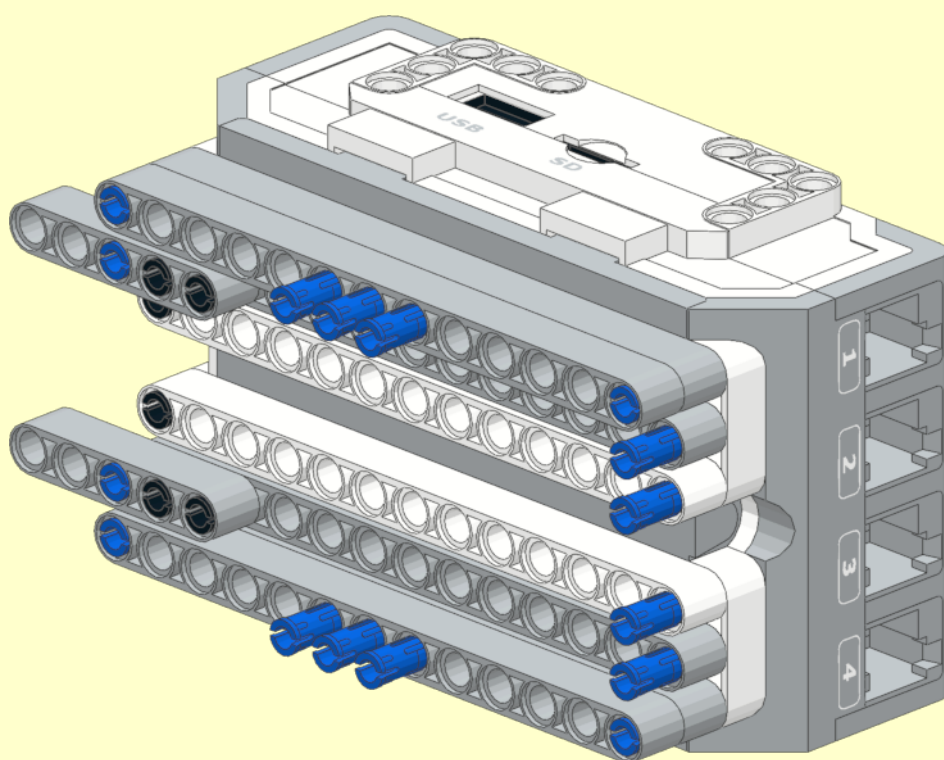
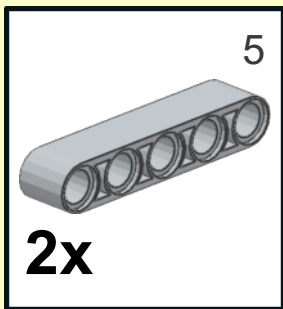
2



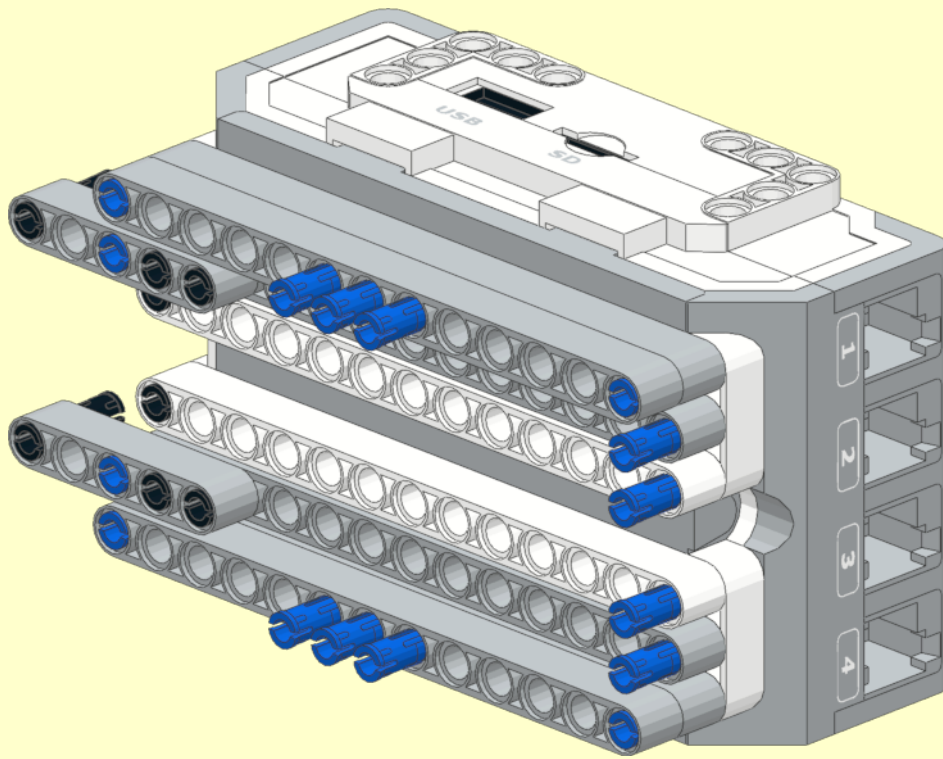
3



4



5
2x

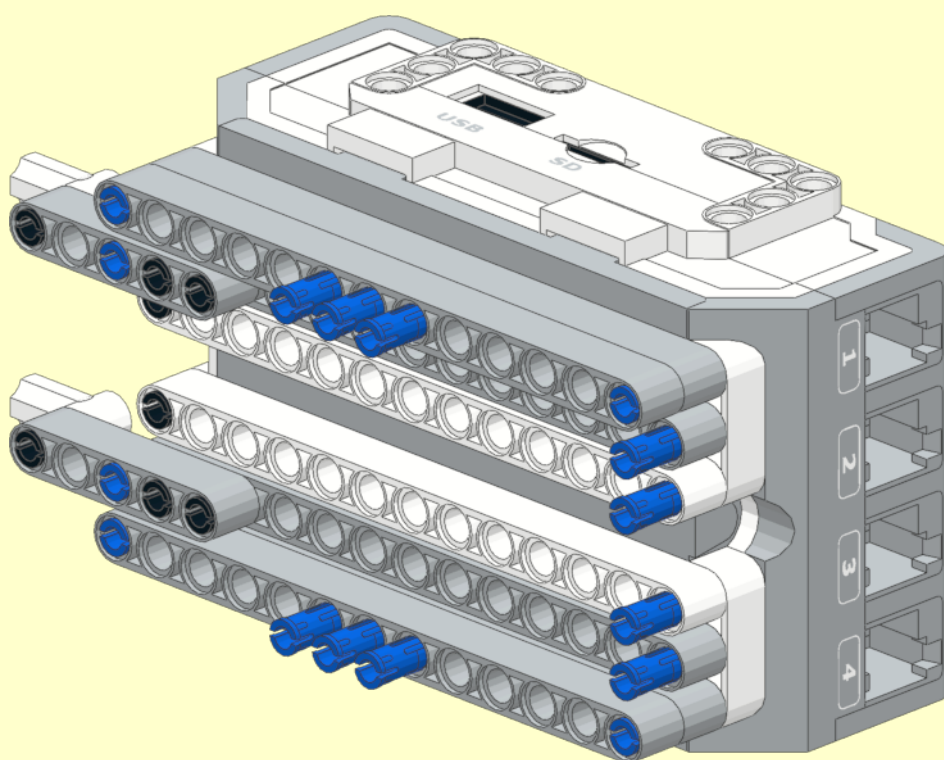


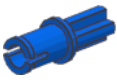
6

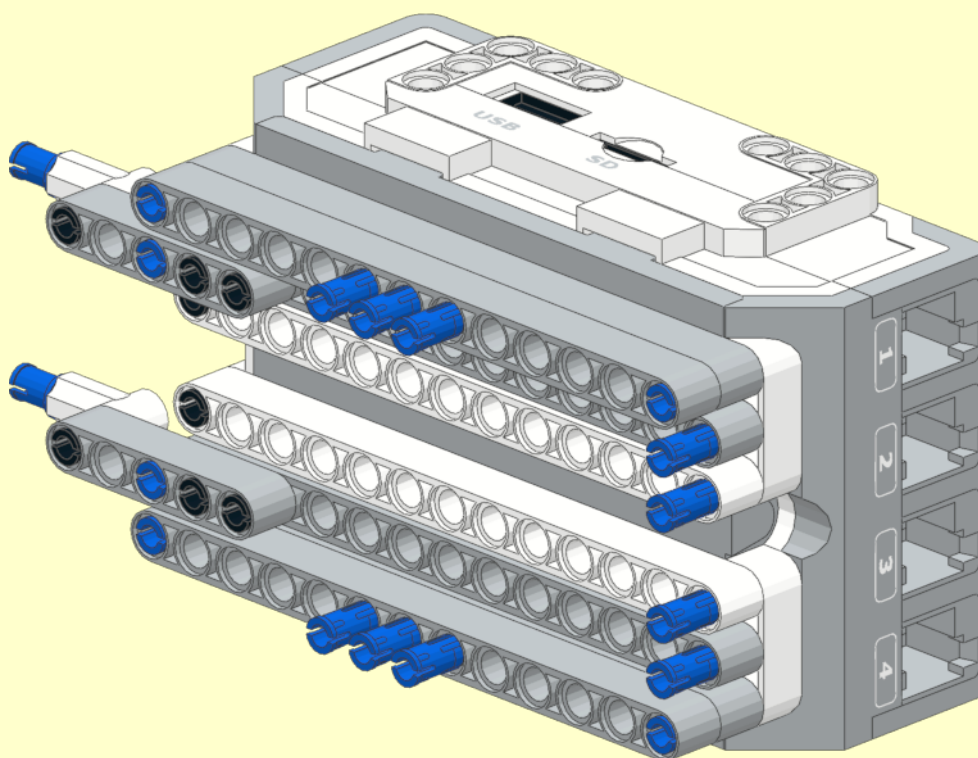
#1



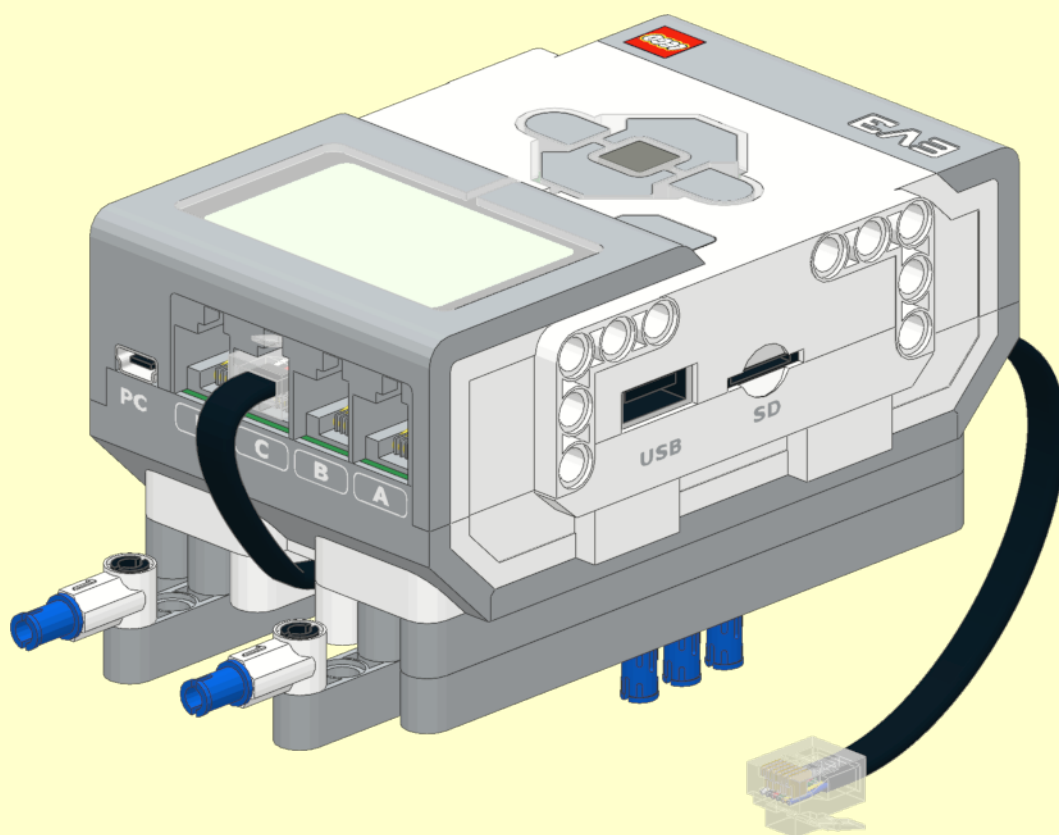
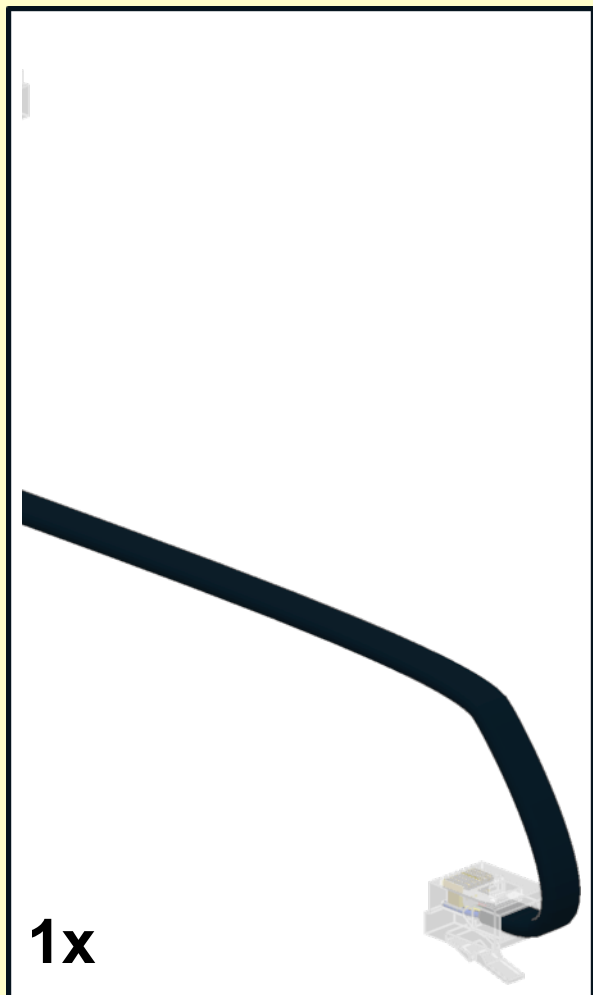
2x



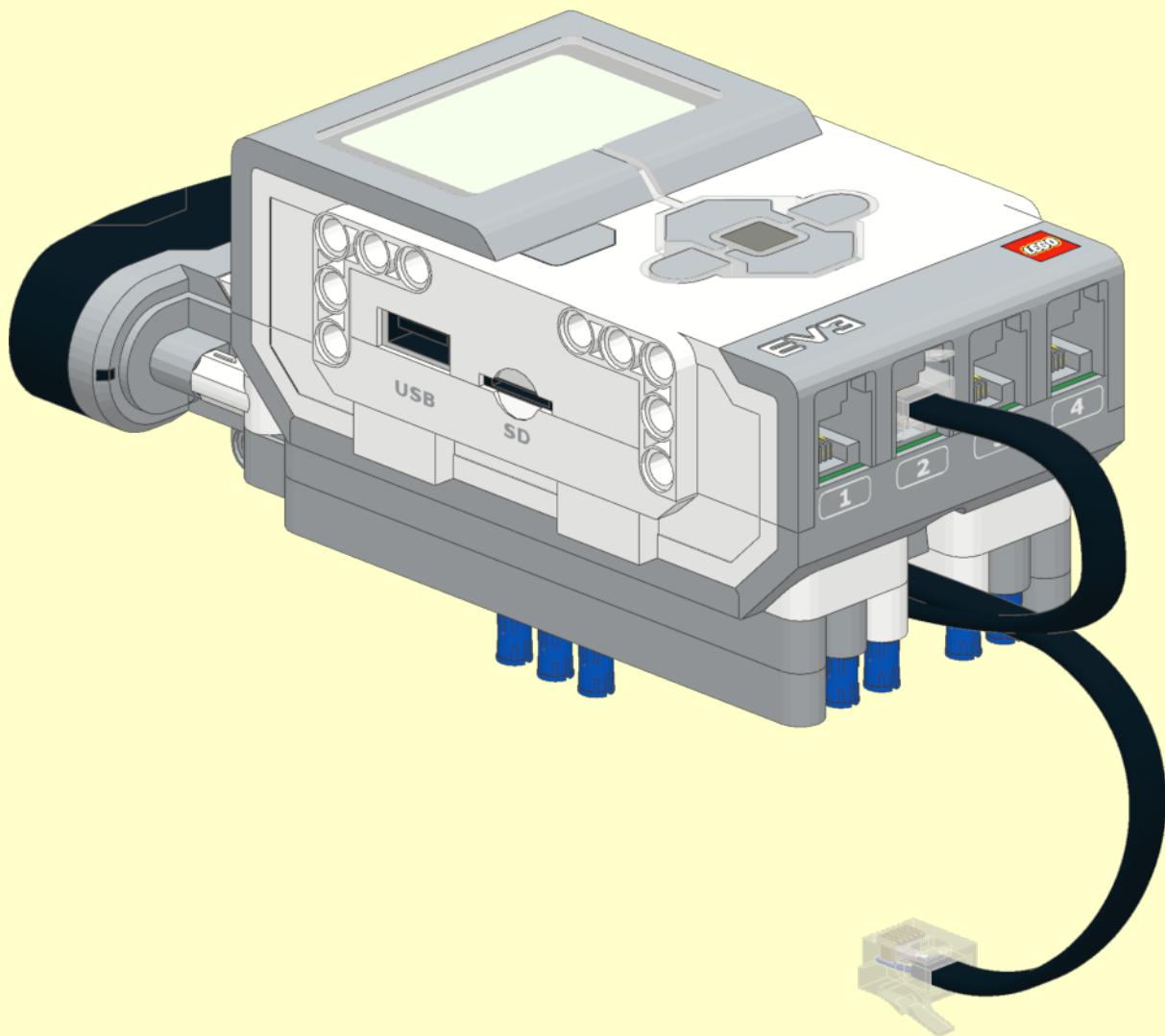
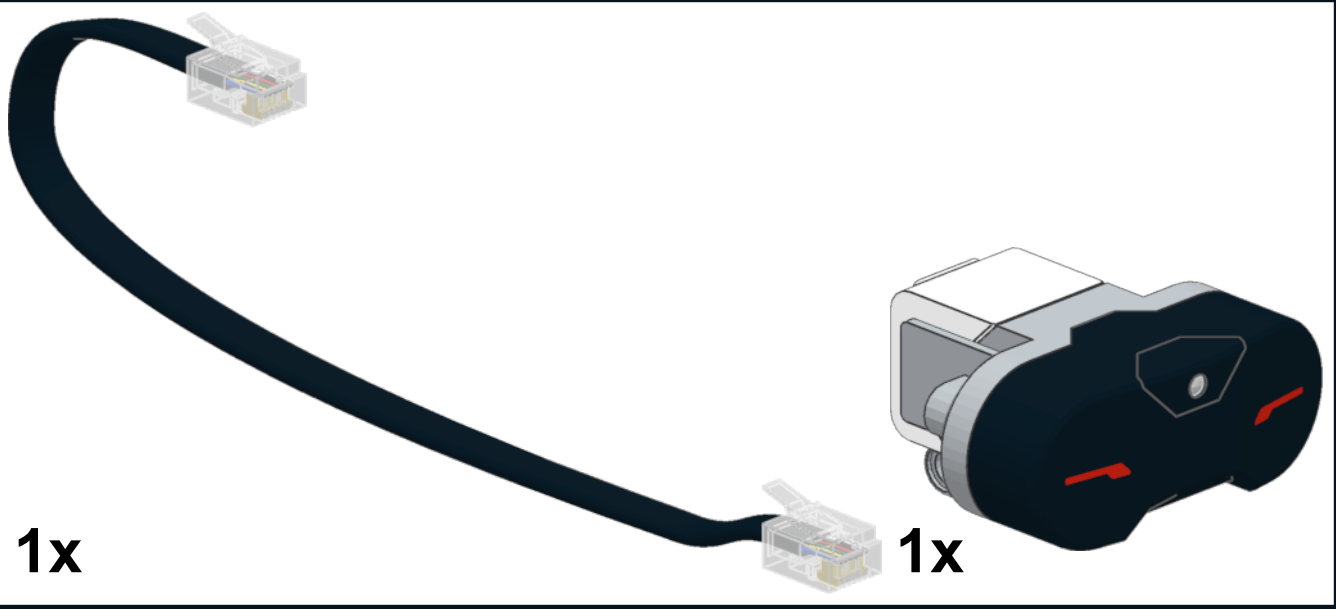
7 
2x



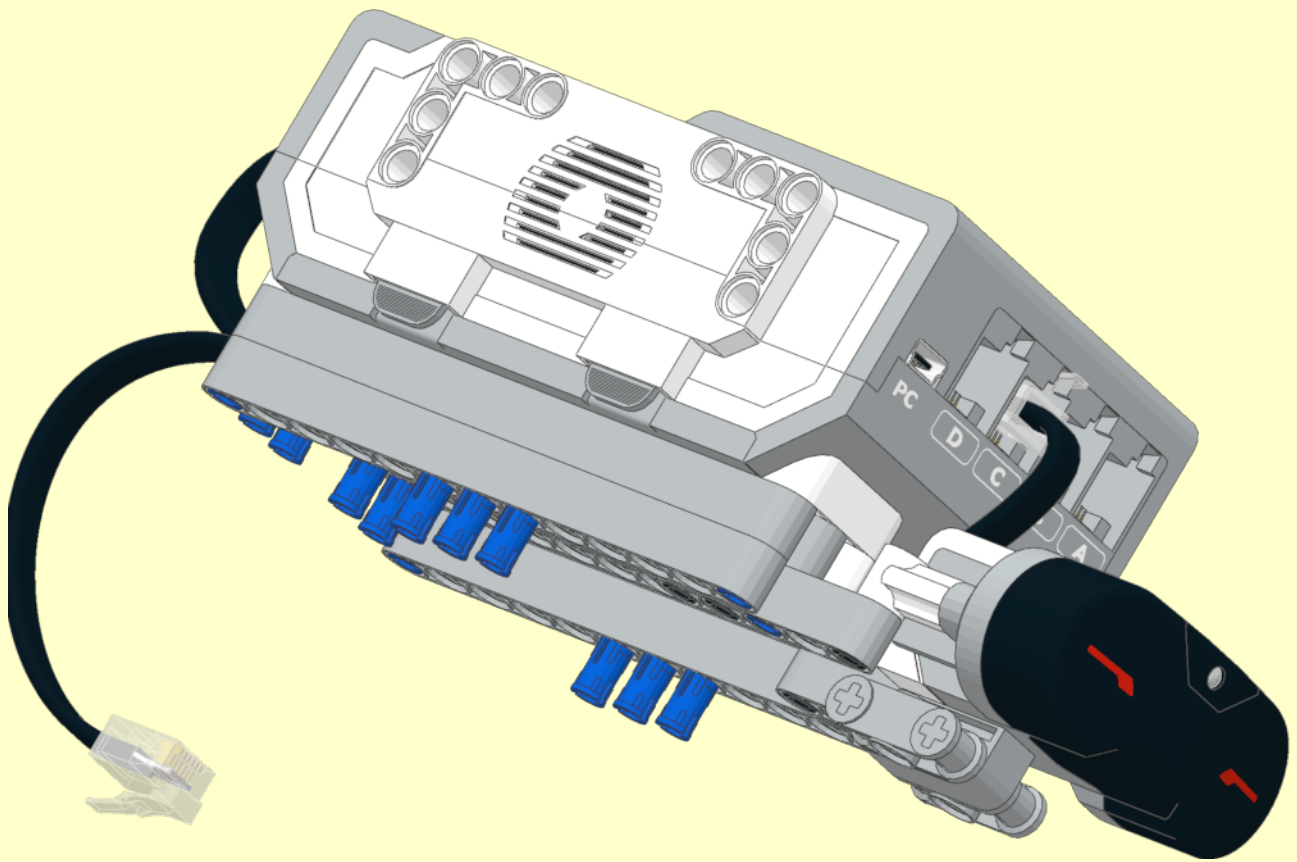
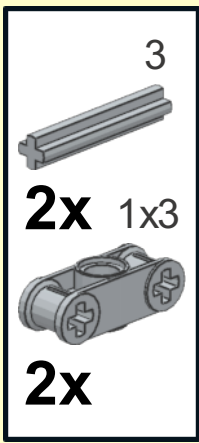
8



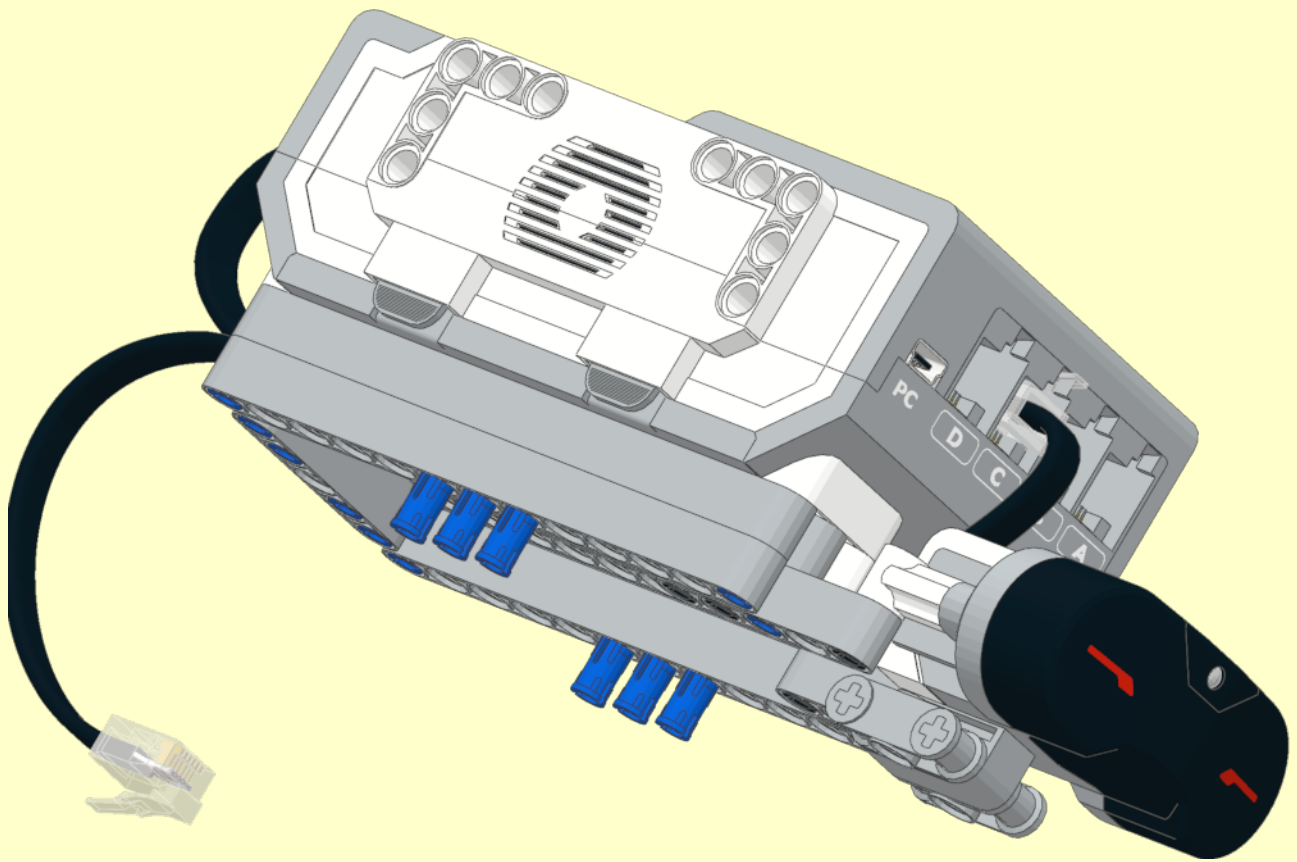
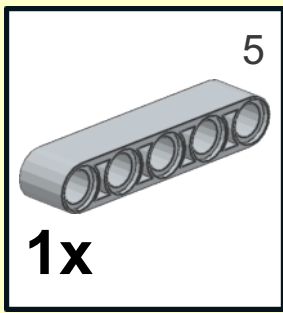
9

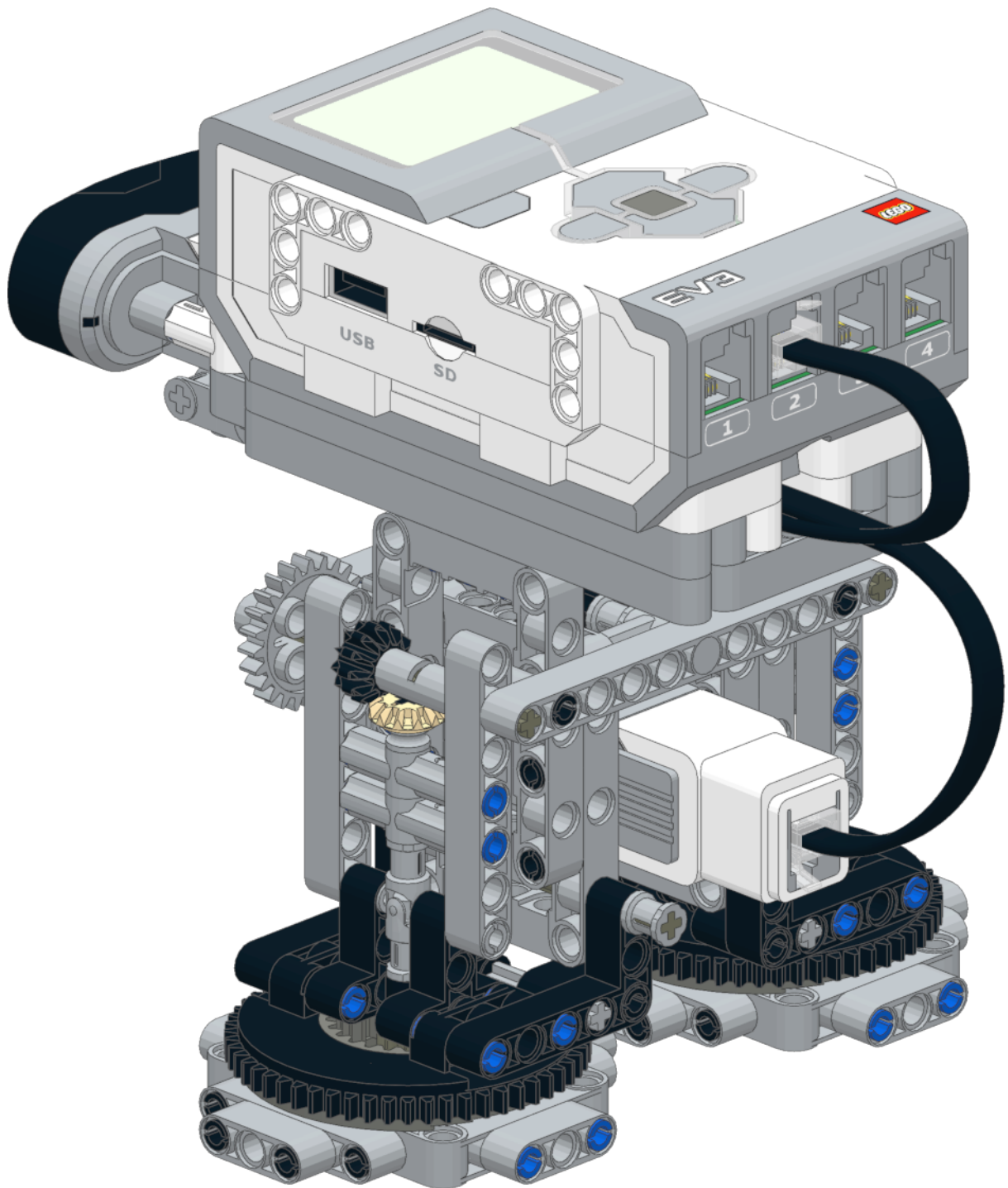


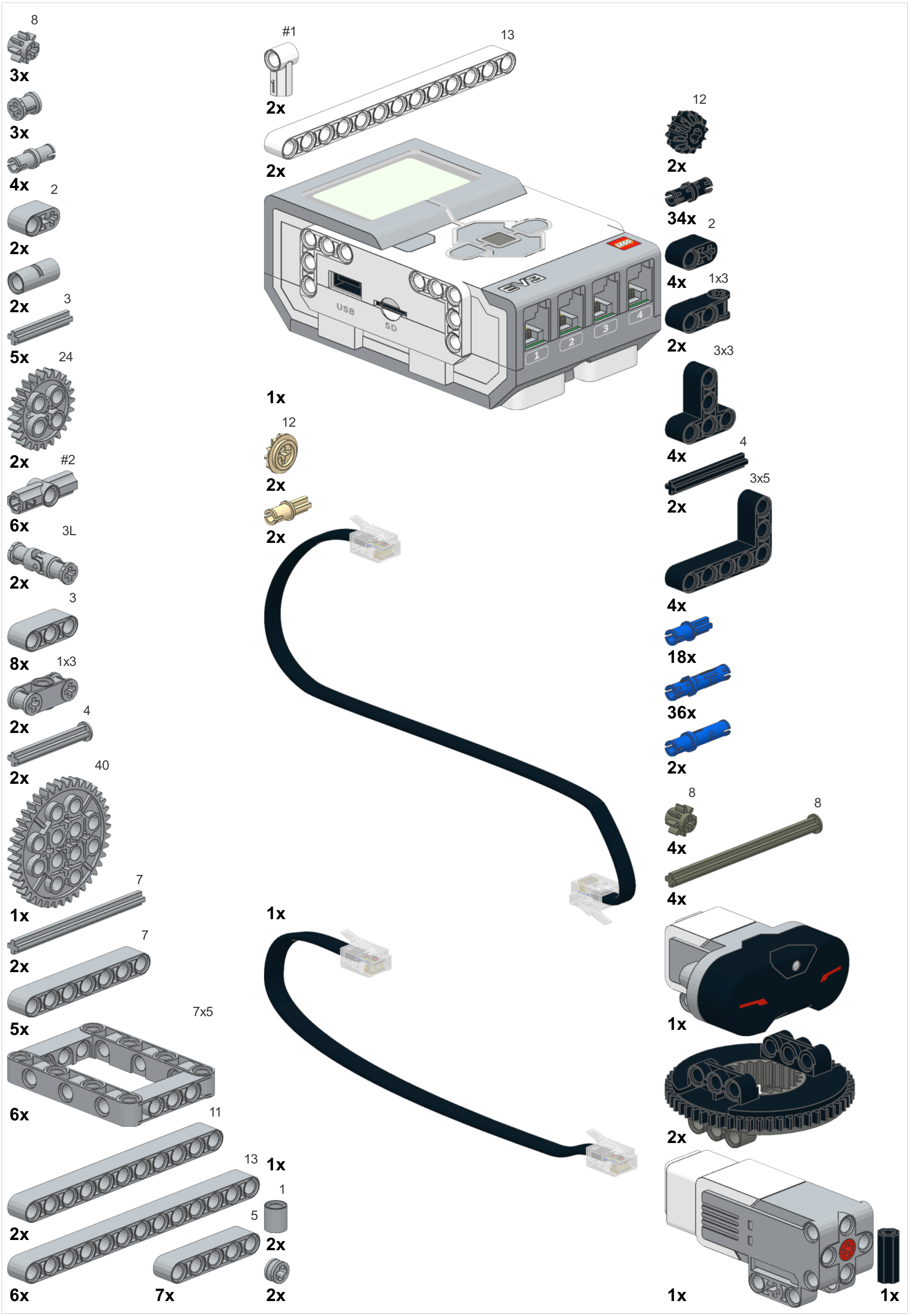
10



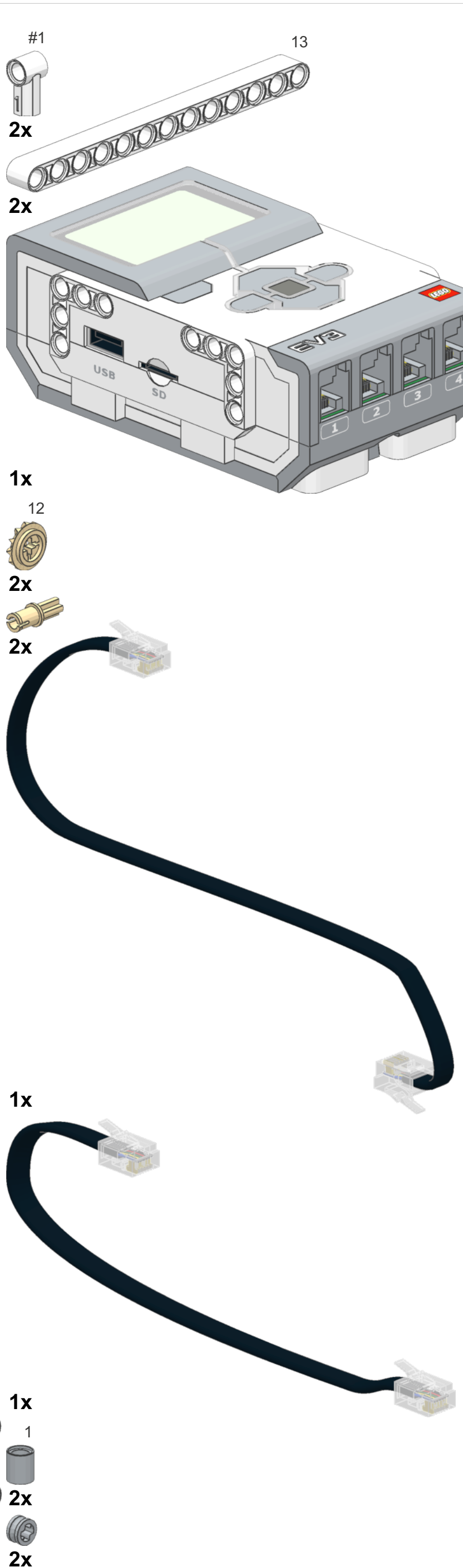
11







- 8x 3x
- 3x
- 3x
- 4x
- 2x
- 2x
- 3x
- 5x
- 24x
- 2x
- #2
- 6x
- 3L
- 2x
- 3
- 8x 1x3
- 2x
- 4
- 2x
- 40
- 1x
- 7
- 7
- 2x
- 5x 7x5
- 6x
- 11
- 13x 1x
- 1x
- 5
- 2x
- 2x
- 7x
- 2x
- 2x



- 12
- 2x
- 34x
- 2x
- 4x 1x3
- 2x
- 3x3
- 4x
- 4
- 2x
- 3x5
- 4x
- 18x
- 36x
- 2x
- 8
- 4x
- 8
- 4x
- 1x
- 2x
- 1x
- 1x