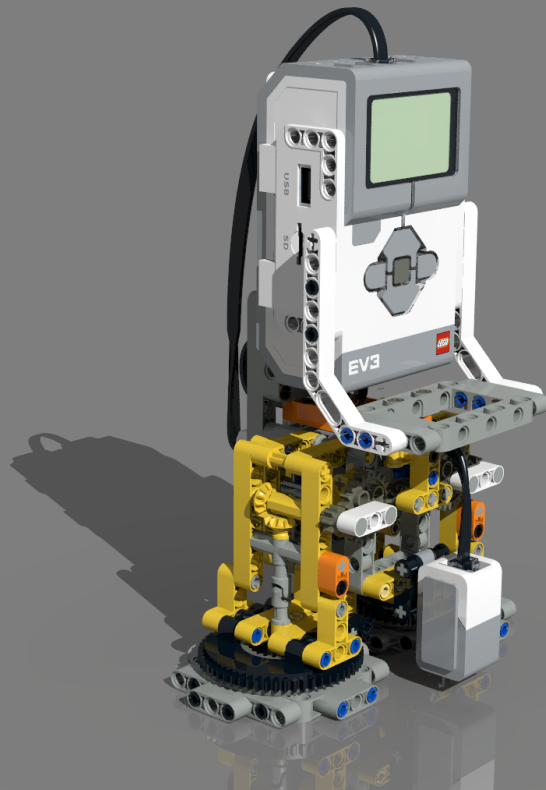


WALK THE LINE

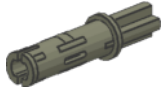
by Stu Nicholls

<http://www.stunicholls.com>

A biped walker using one medium motor

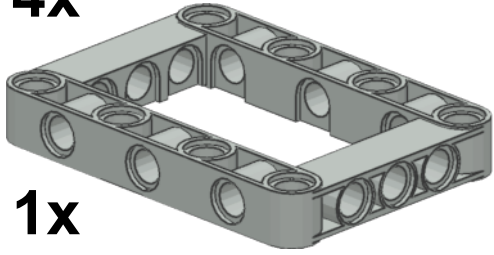


1

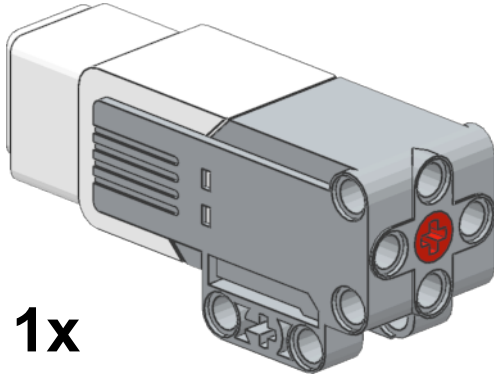


4x

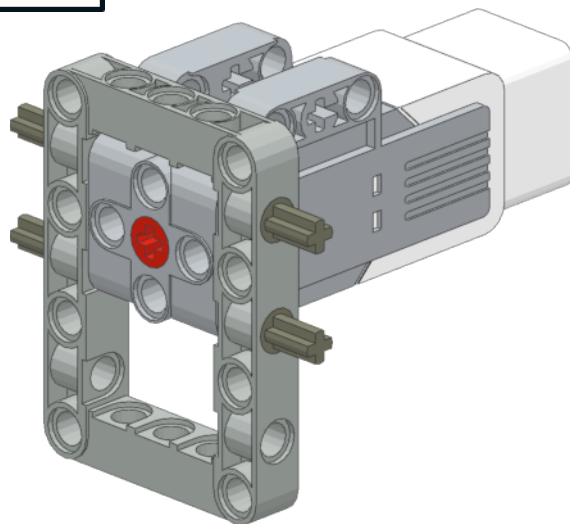
7x5



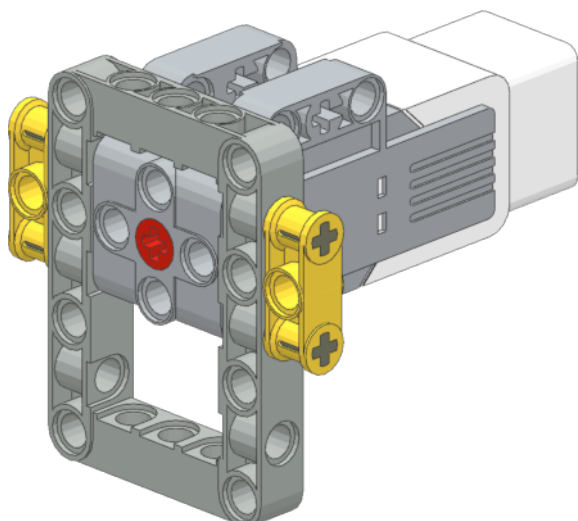
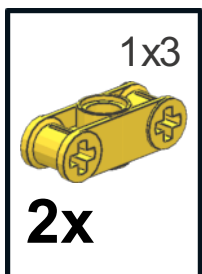
1x



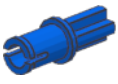
1x



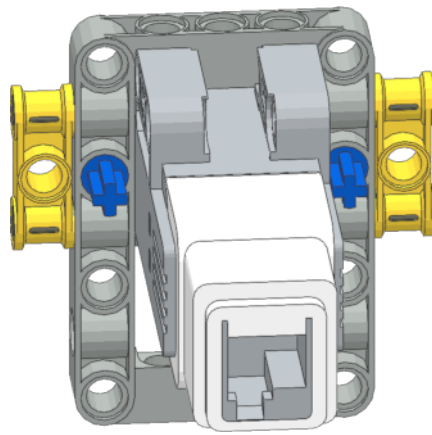
2



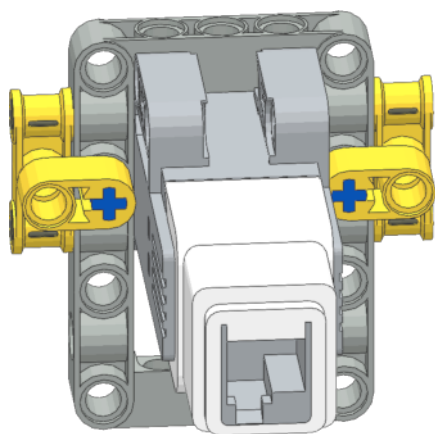
3



2x



4



5



2x

5

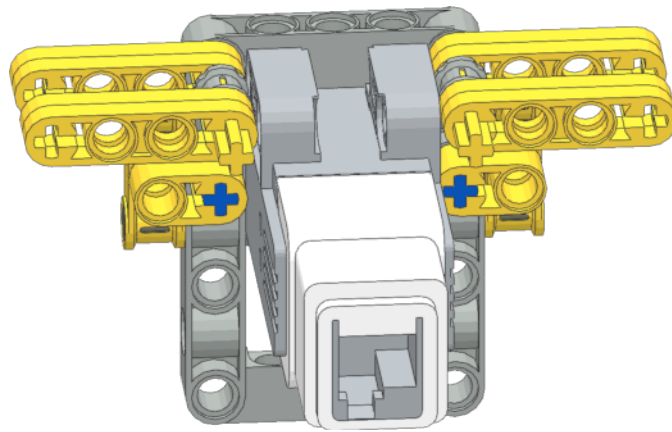


2x

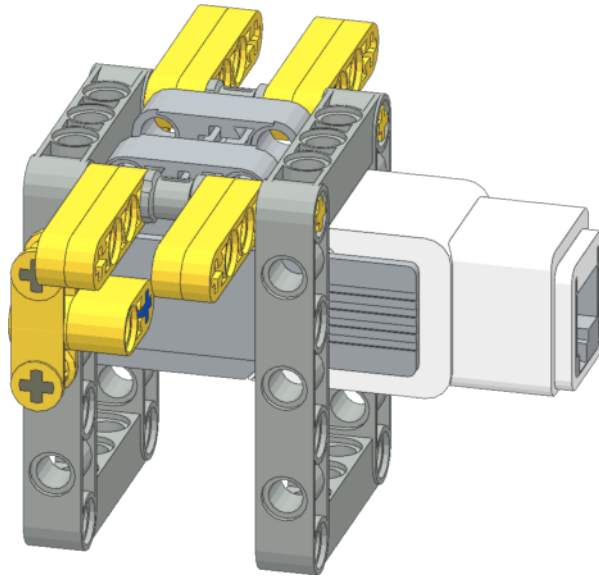
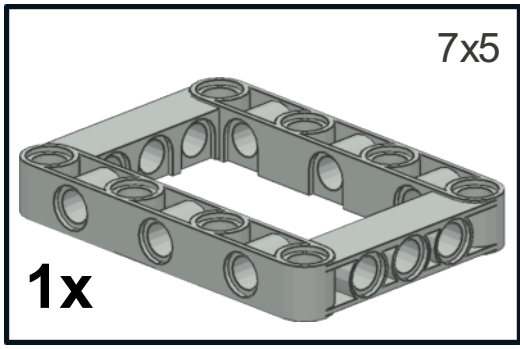
4x0.5



8x



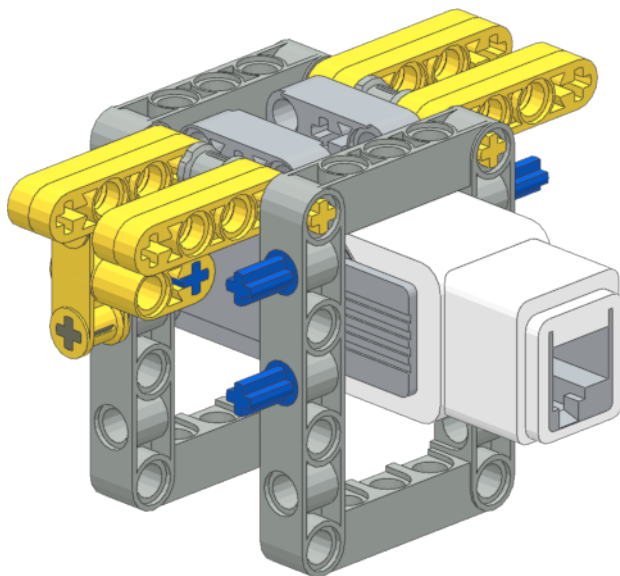
6



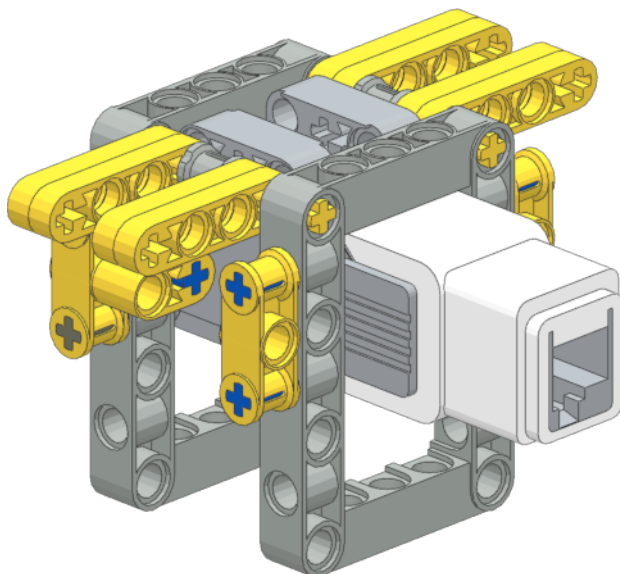
7



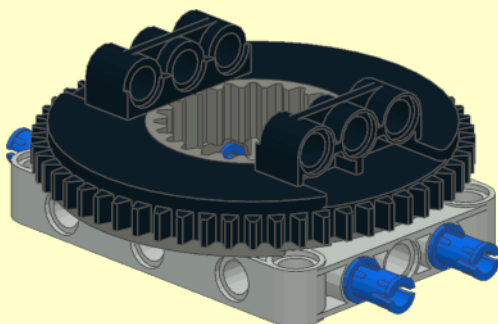
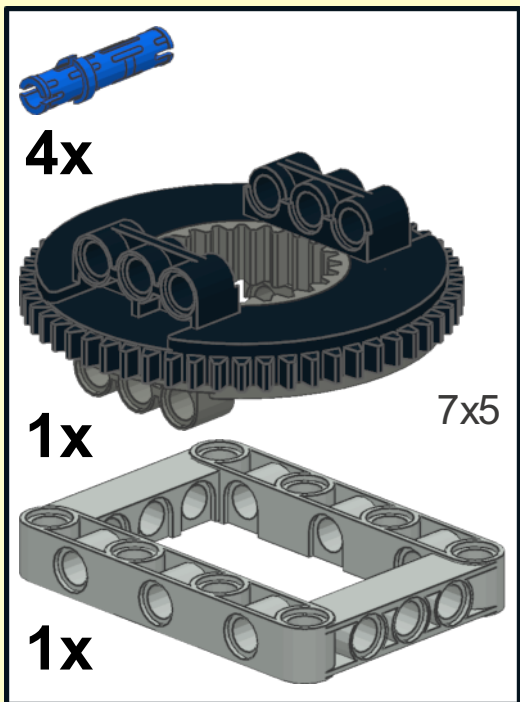
4x



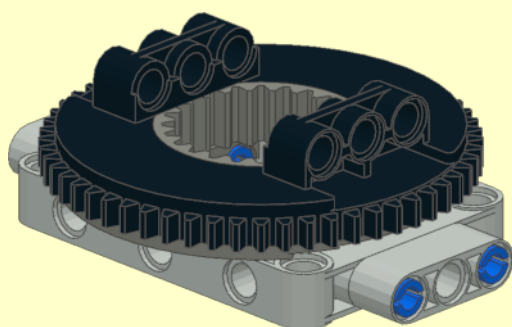
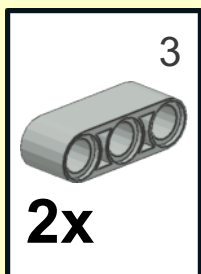
8




1



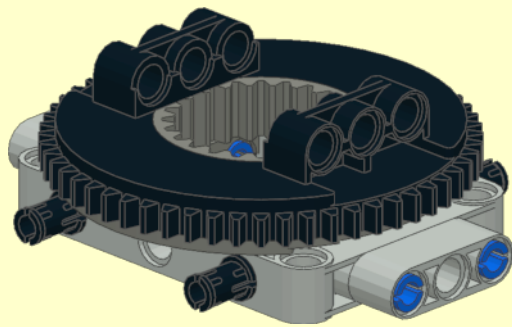
2



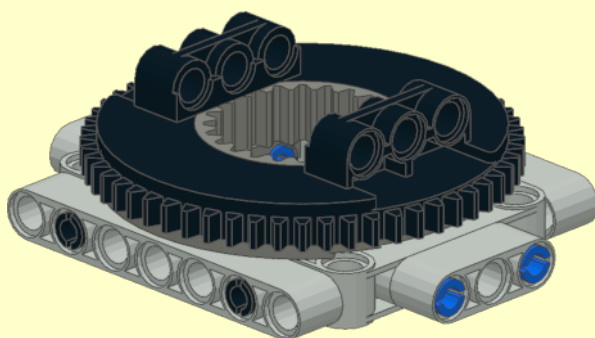
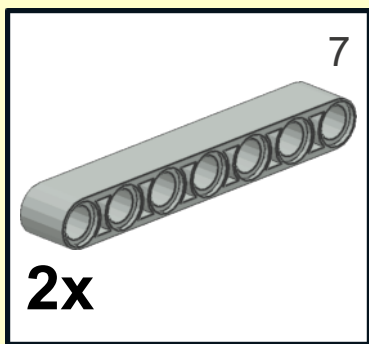
3



4x



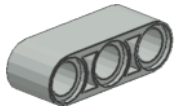
4



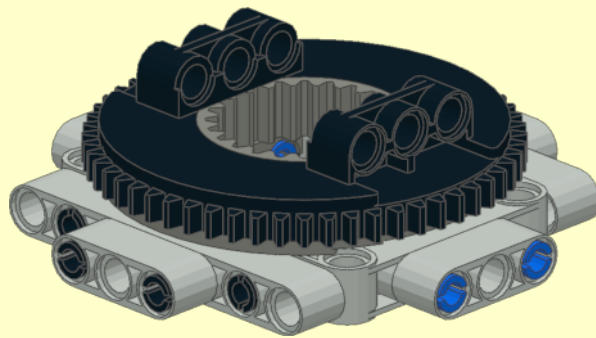
5



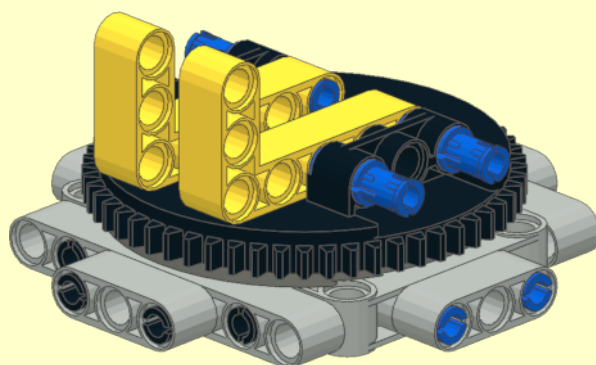
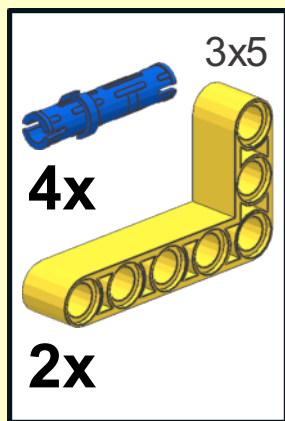
4x 3




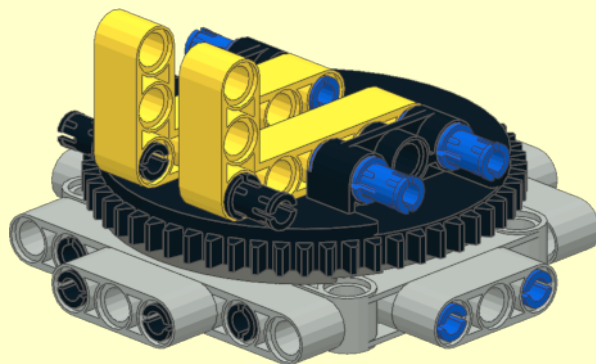
2x



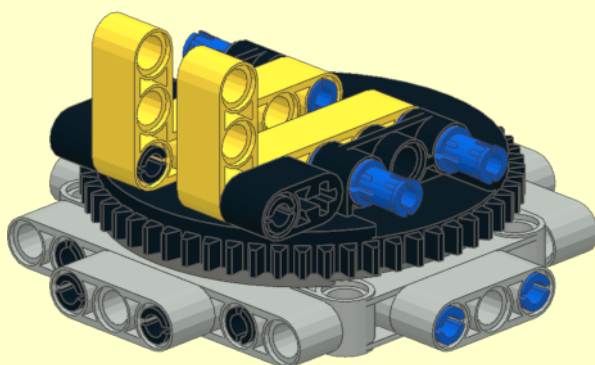
6



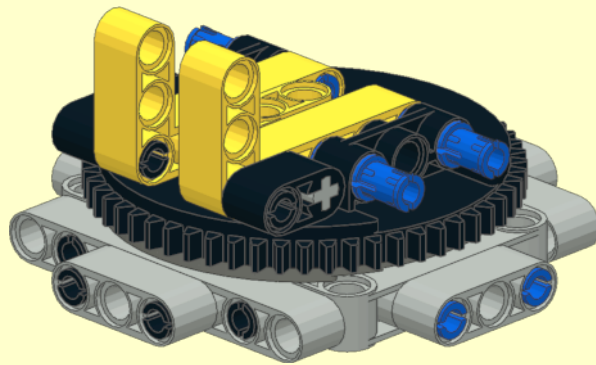
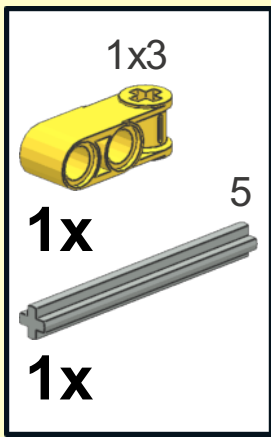
7 
2x



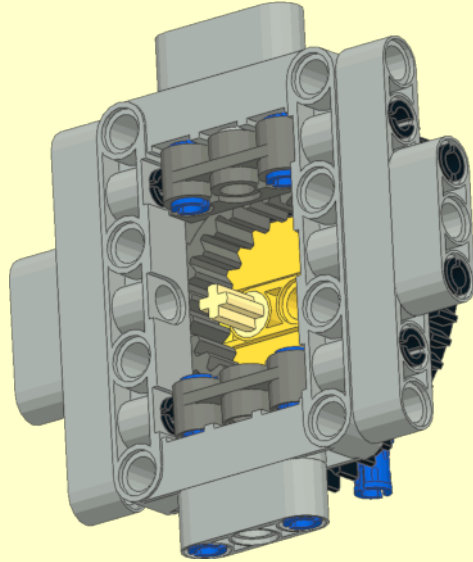
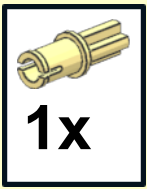
8



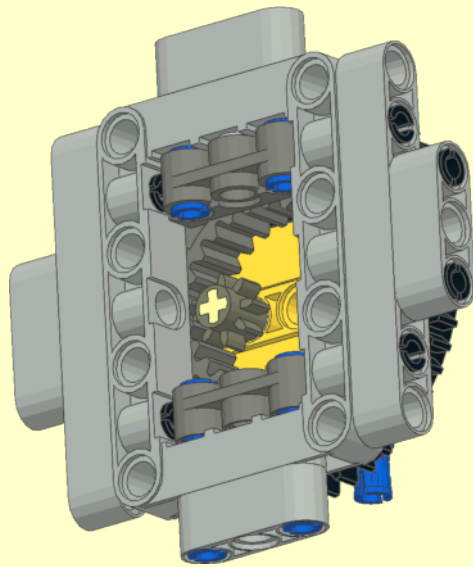
9



10

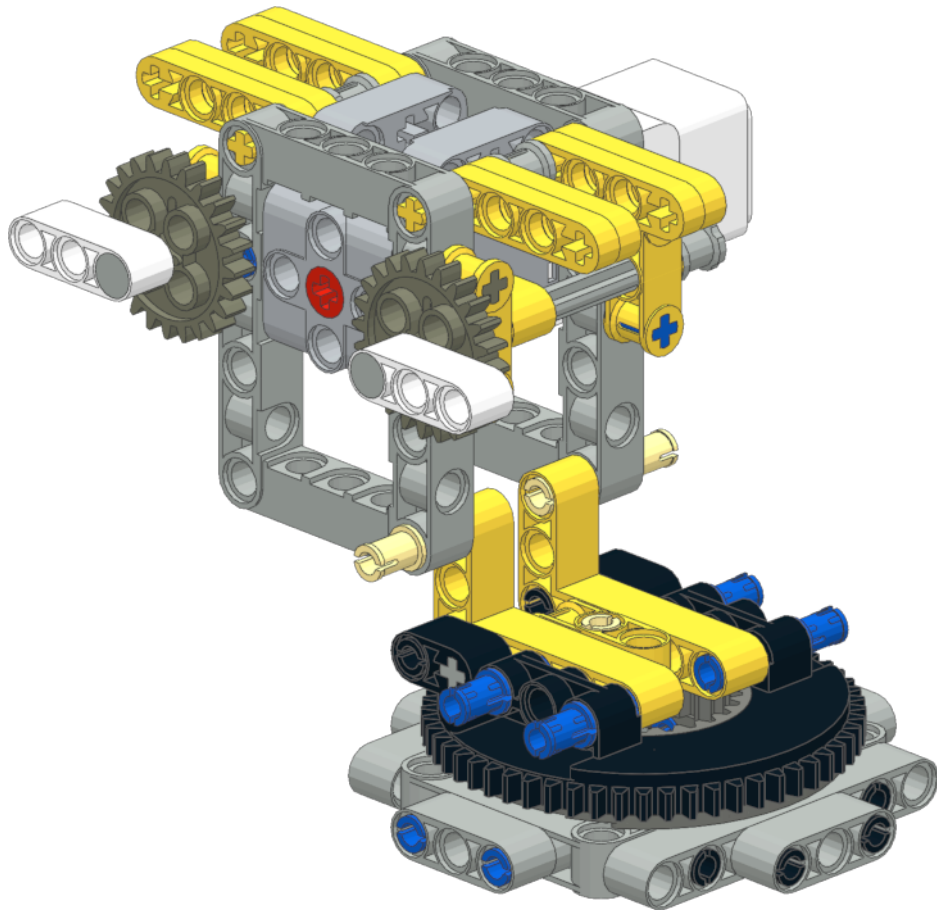
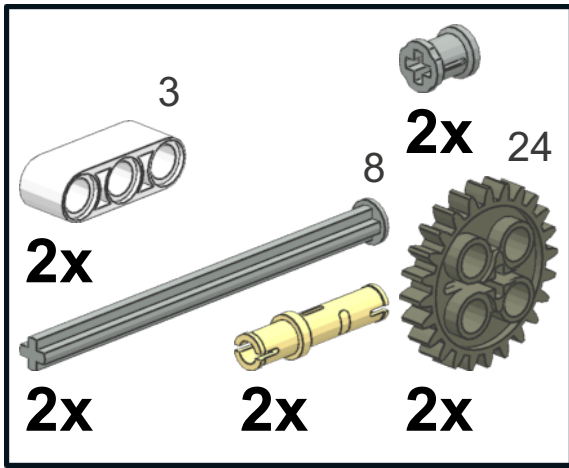


11

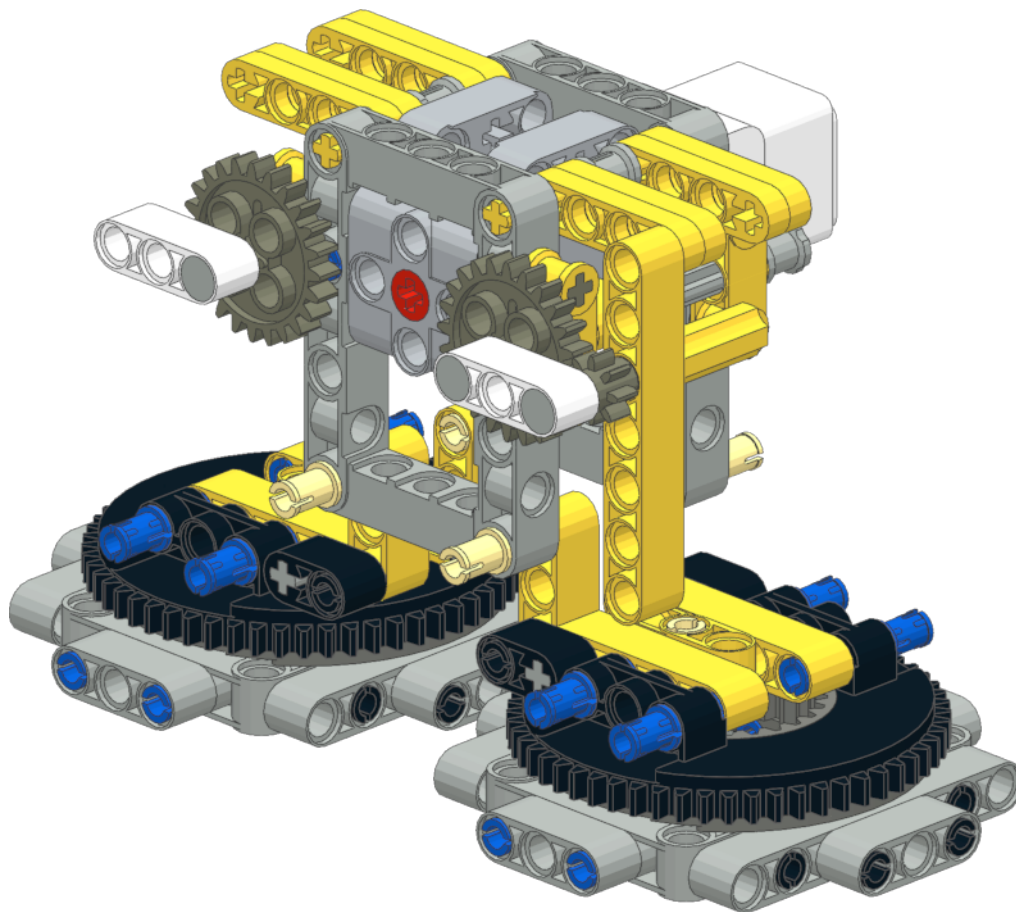
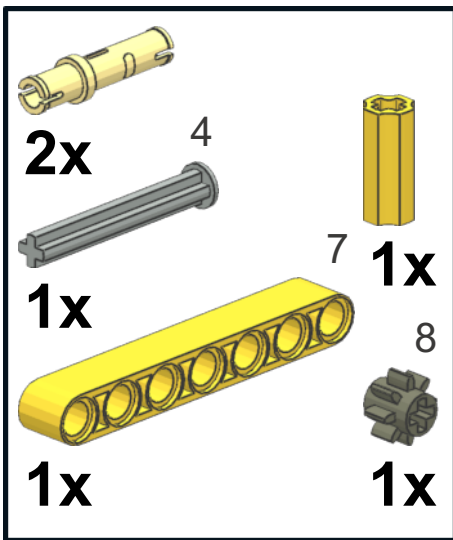


x2

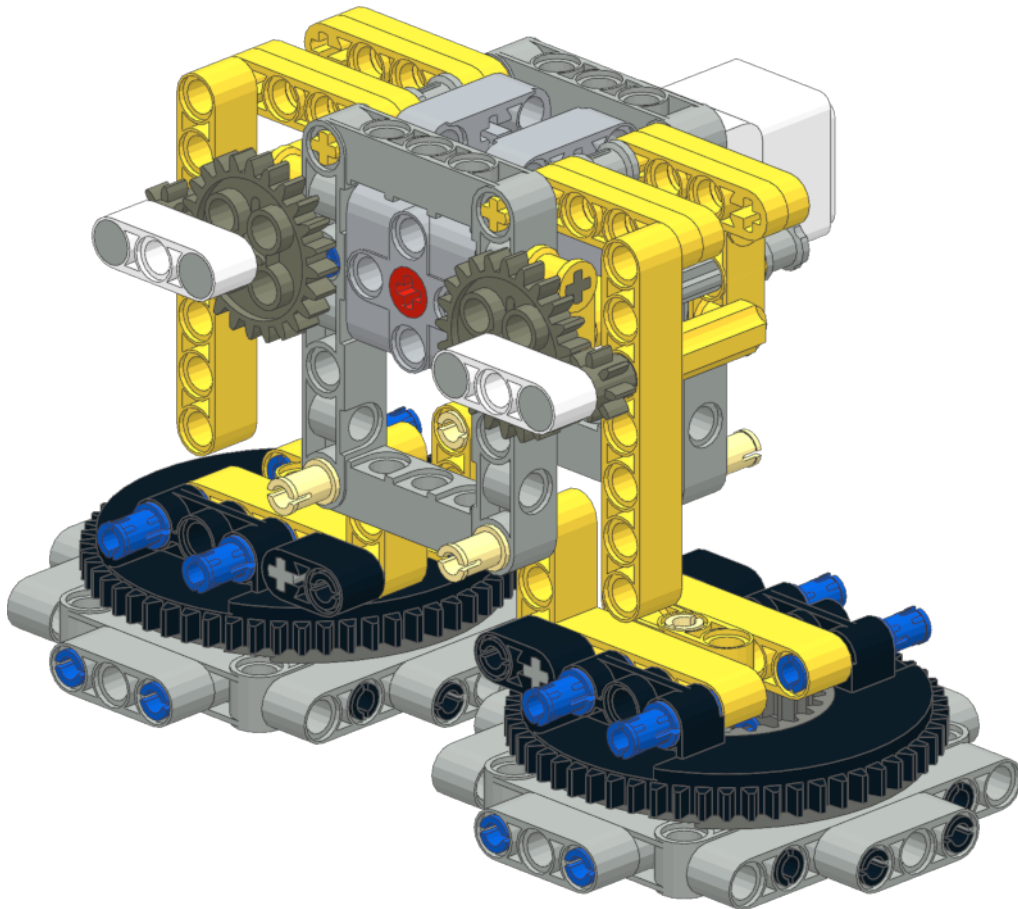
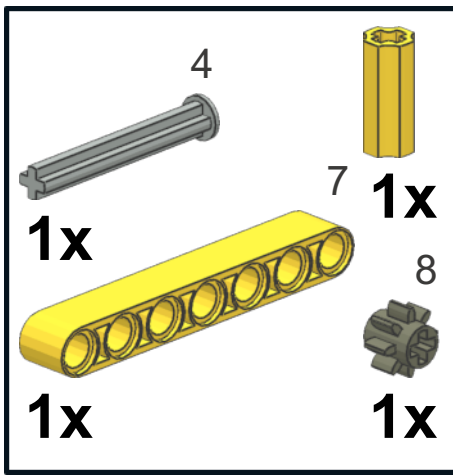
9



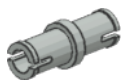
10



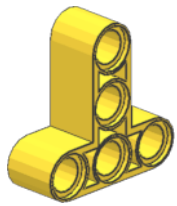
11



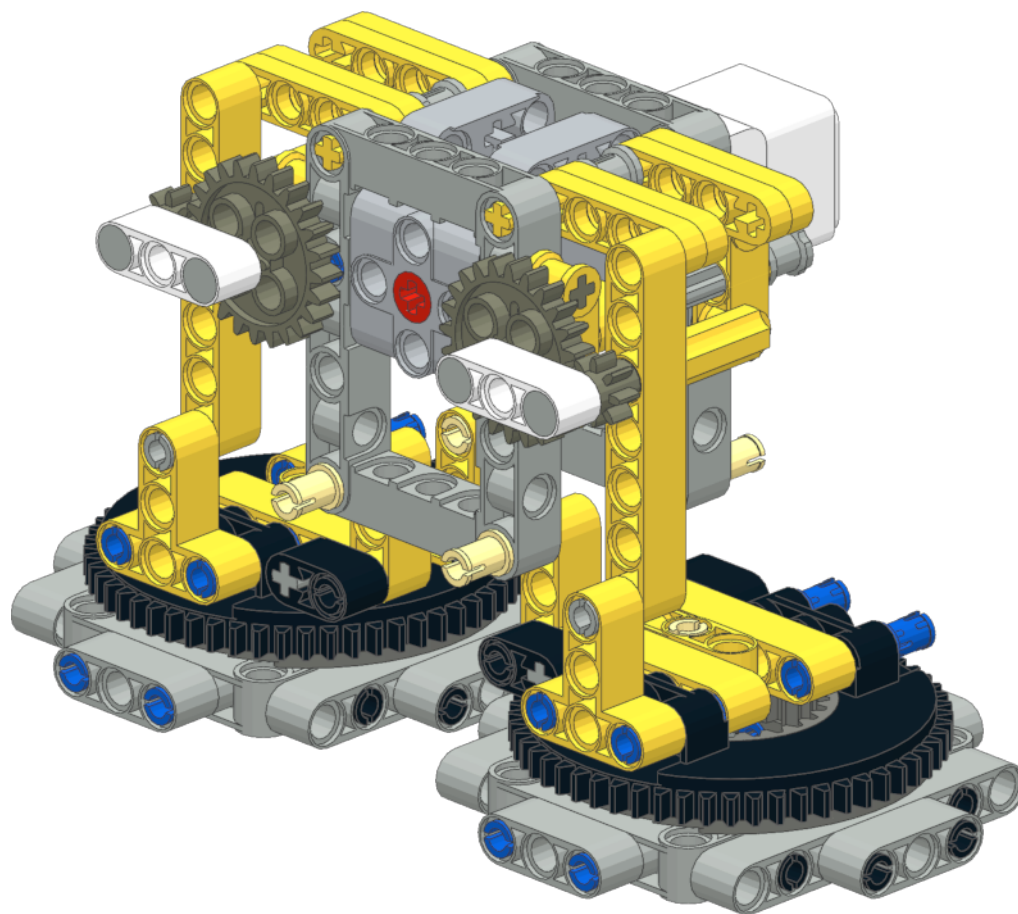
12



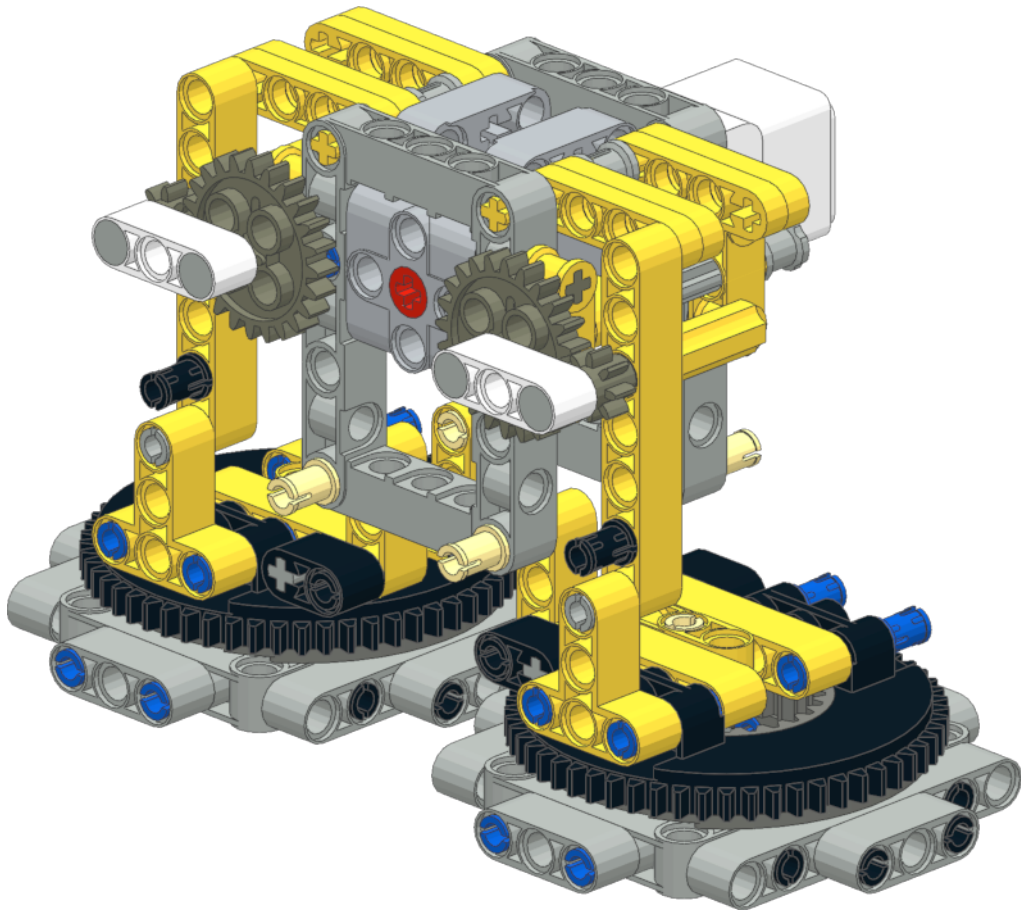
2x 3x3



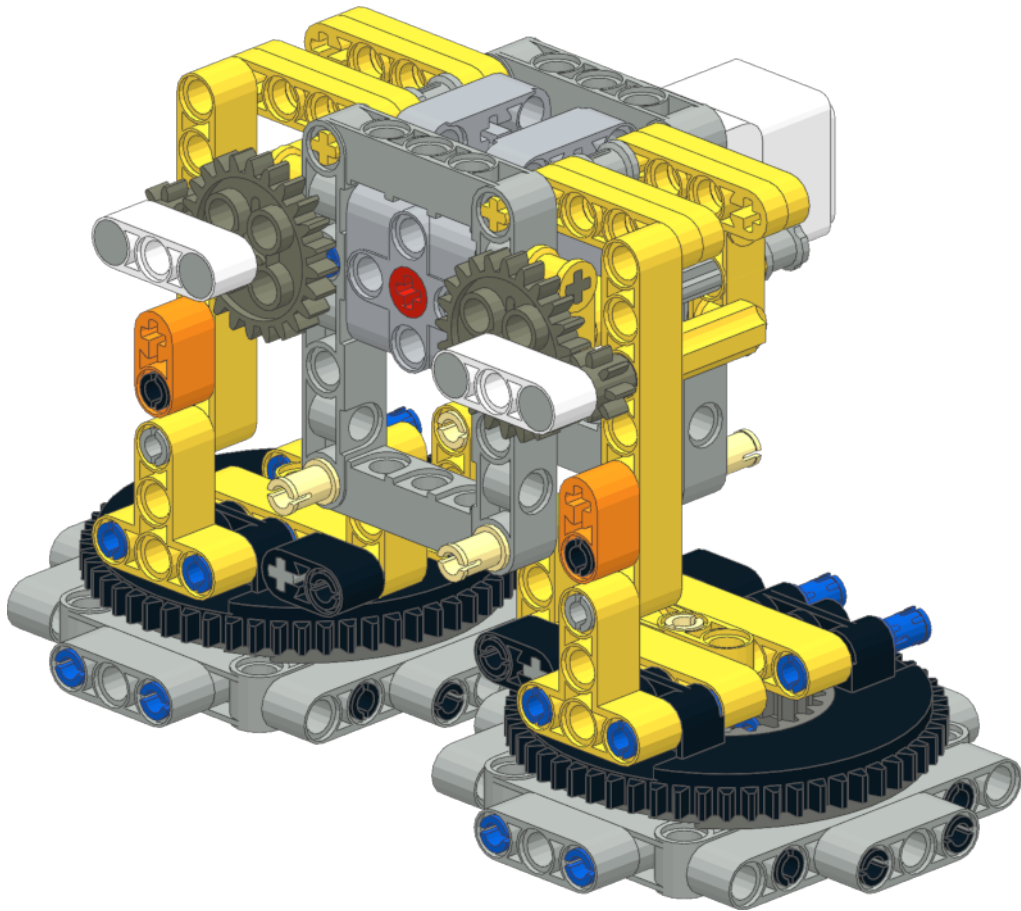
2x



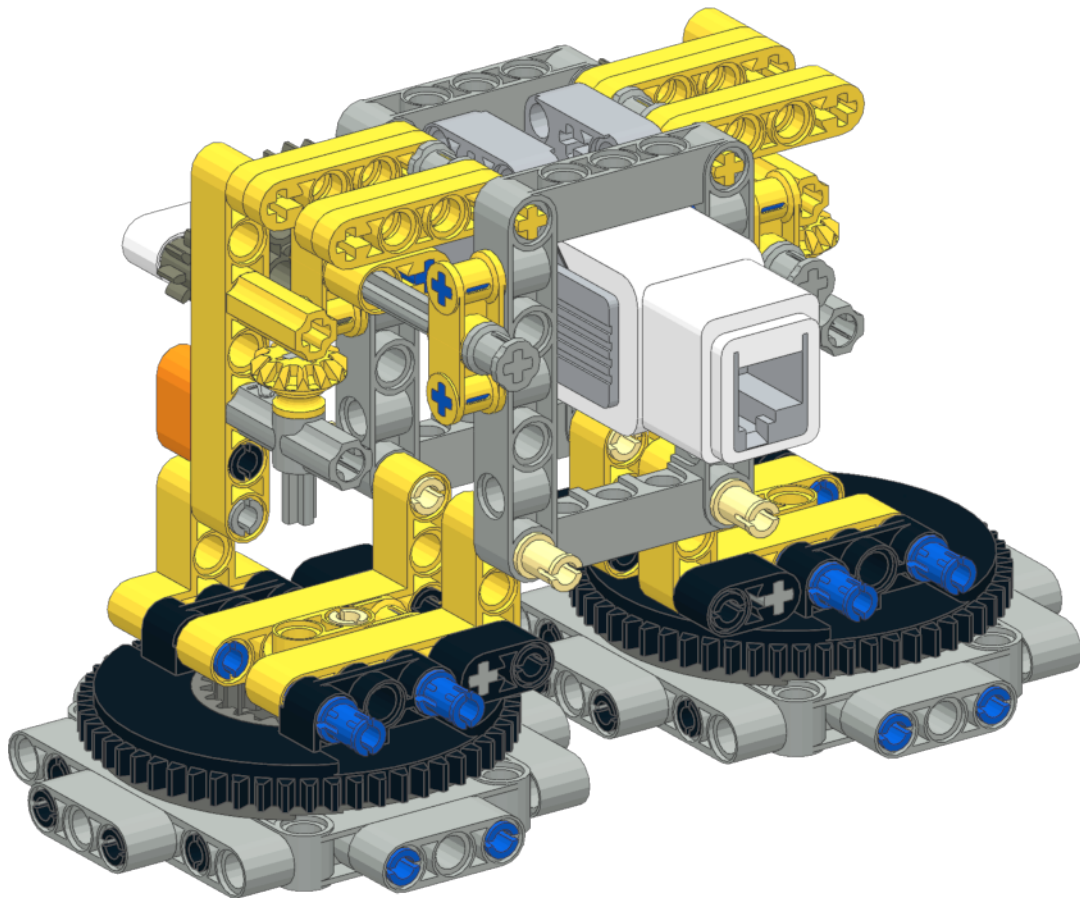
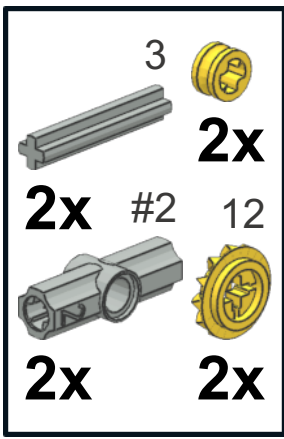
13



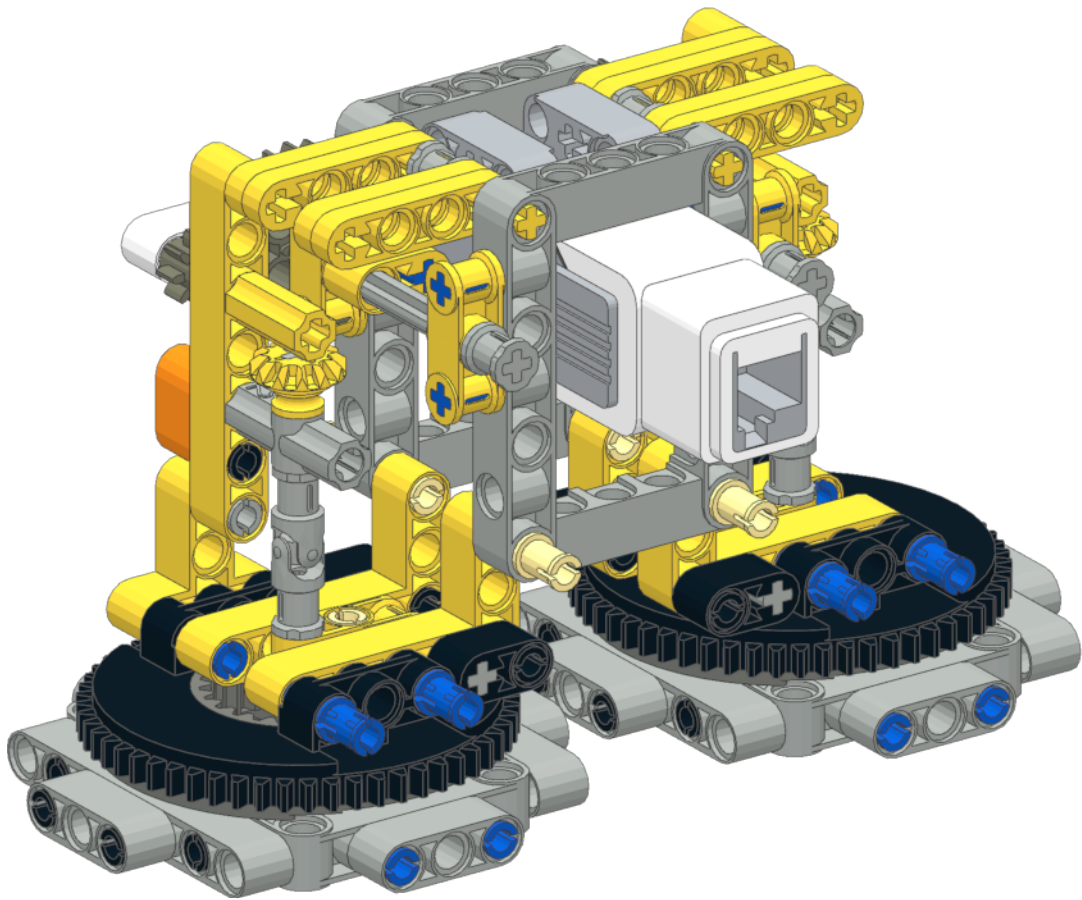
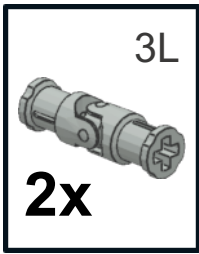
14



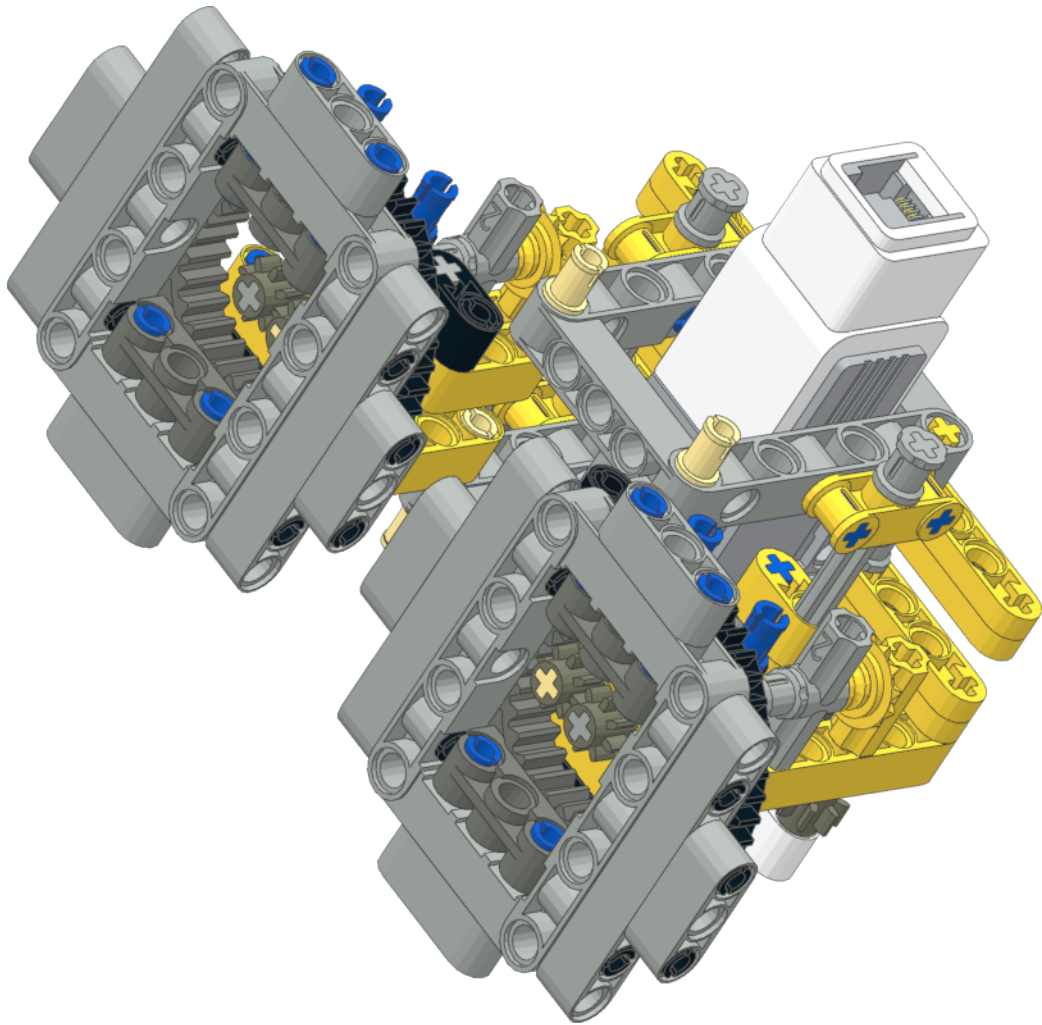
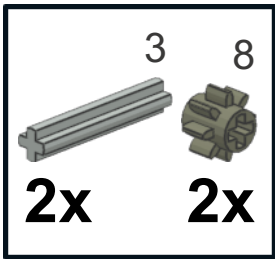
16



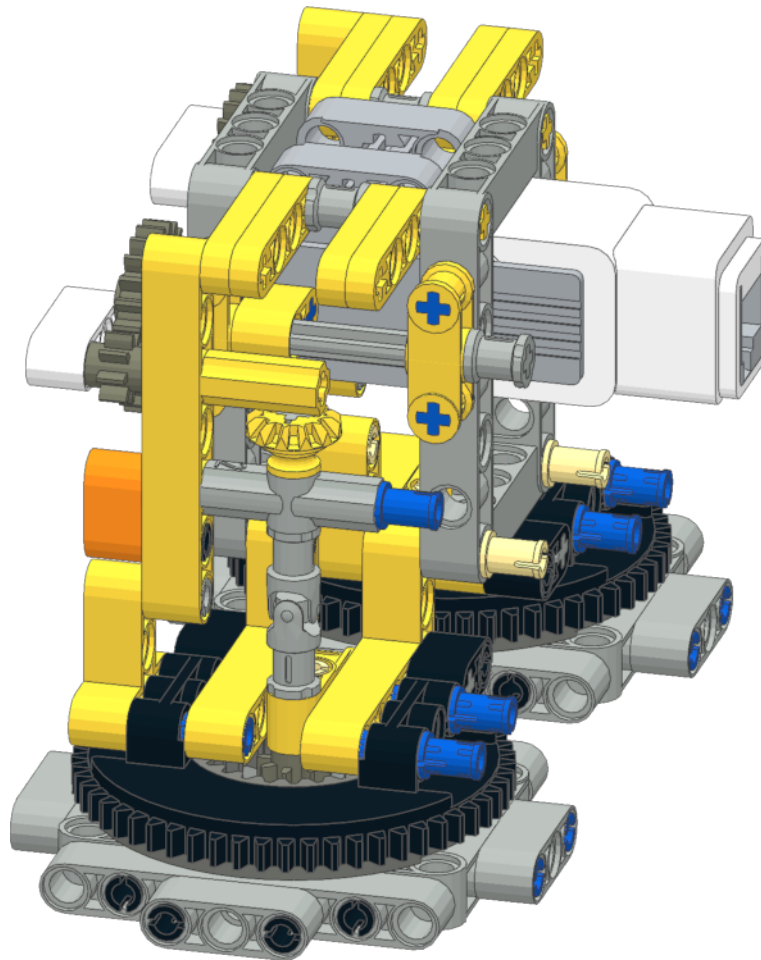
17



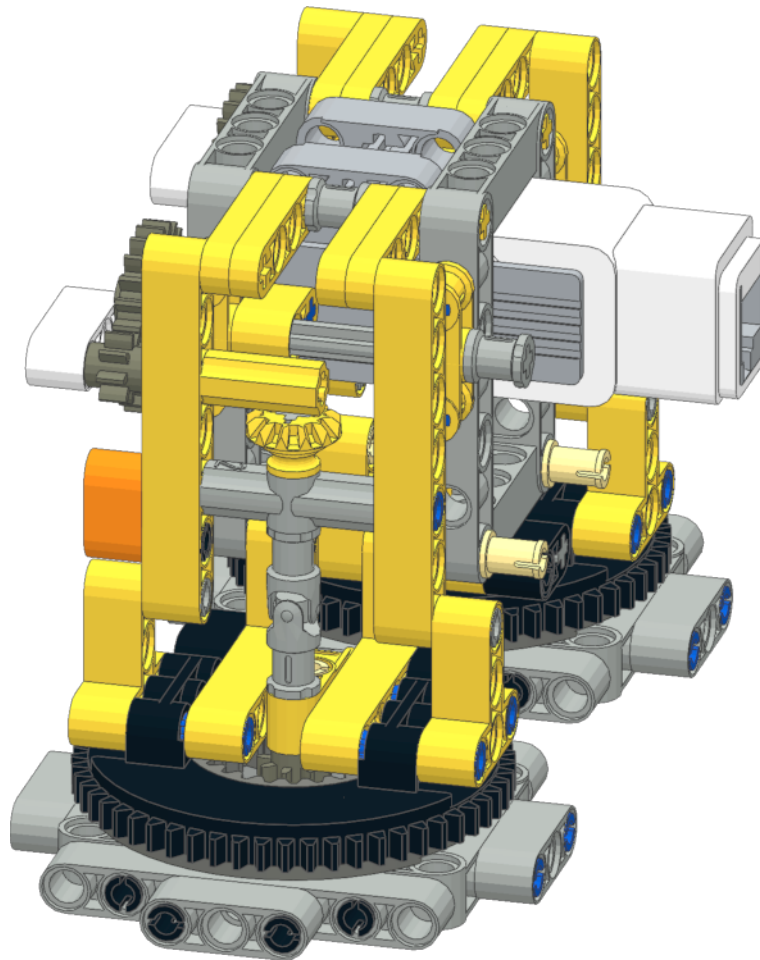
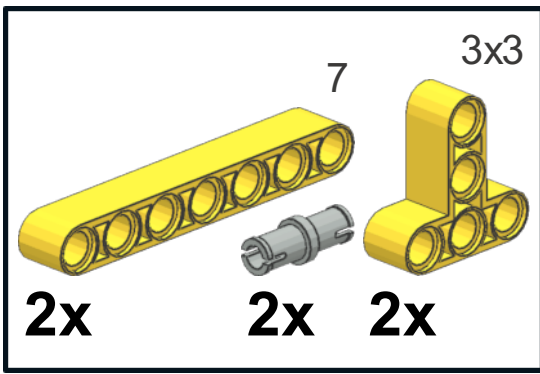
18



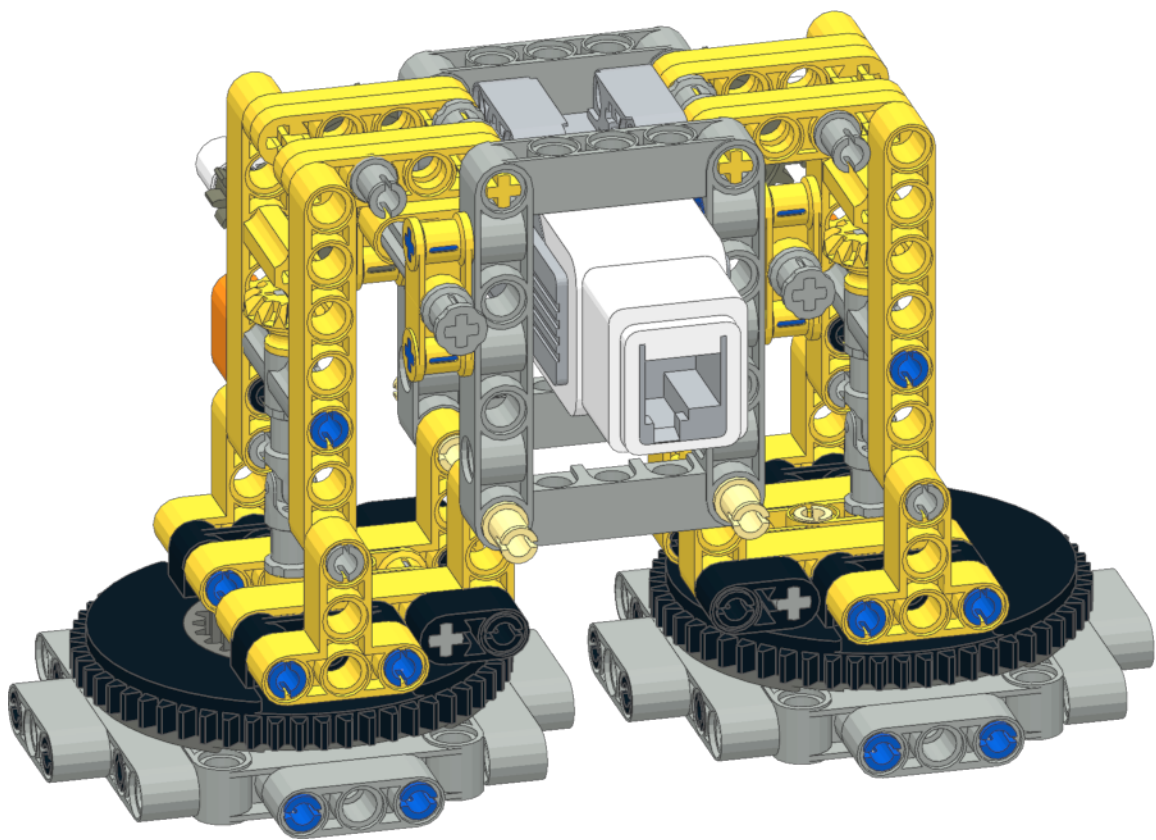
19



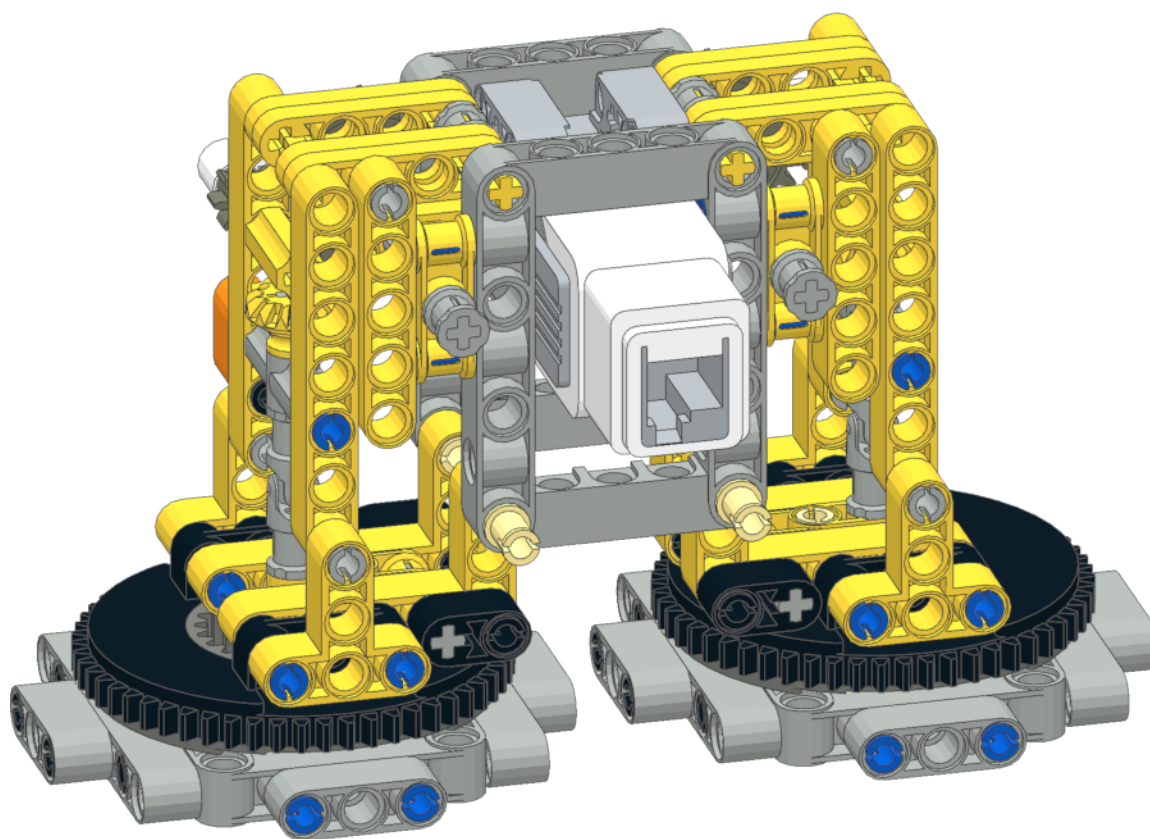
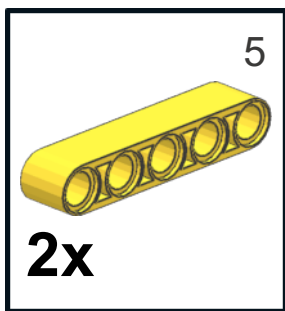
20



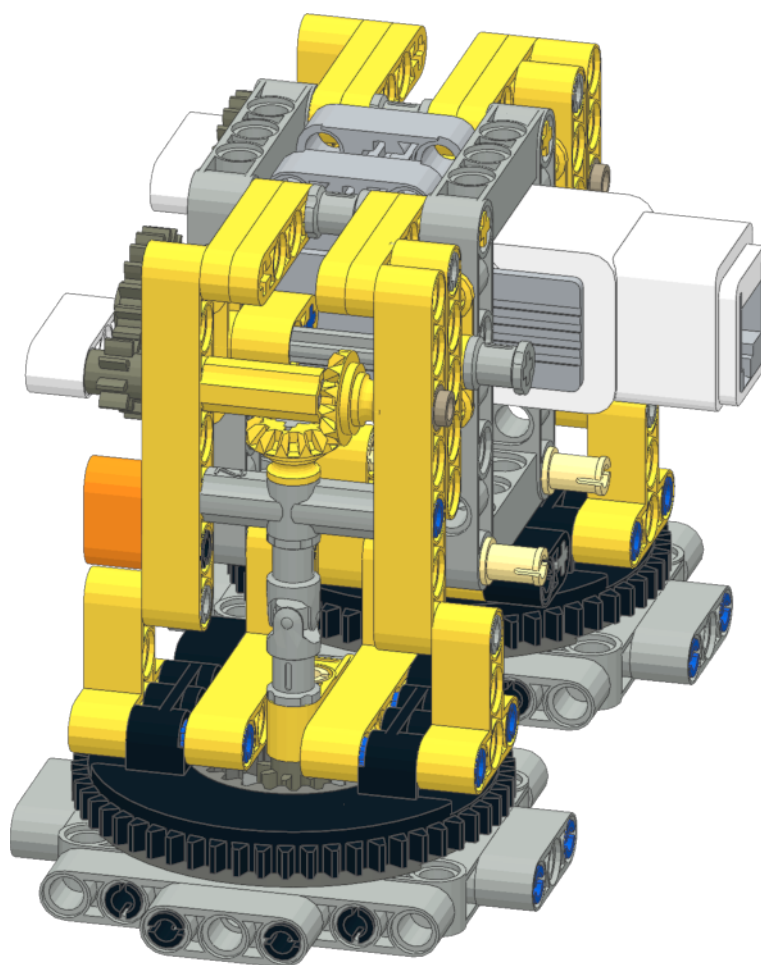
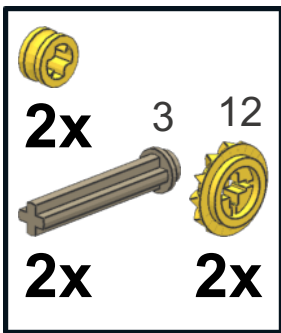
21



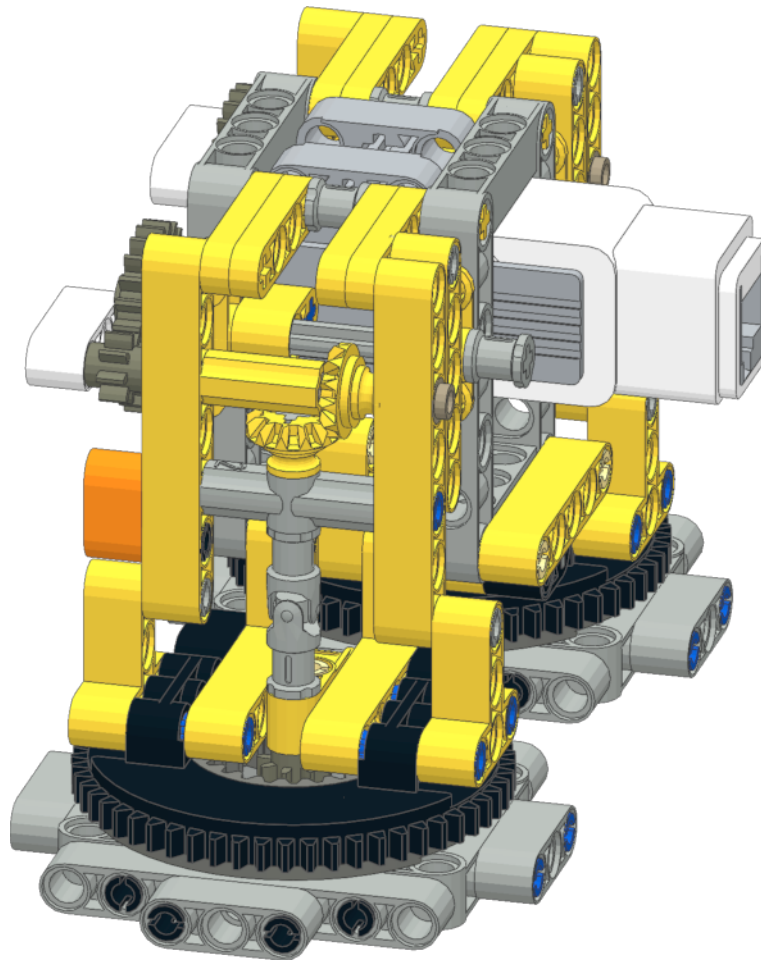
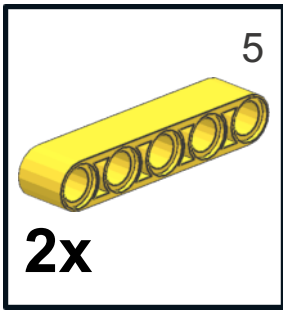
22



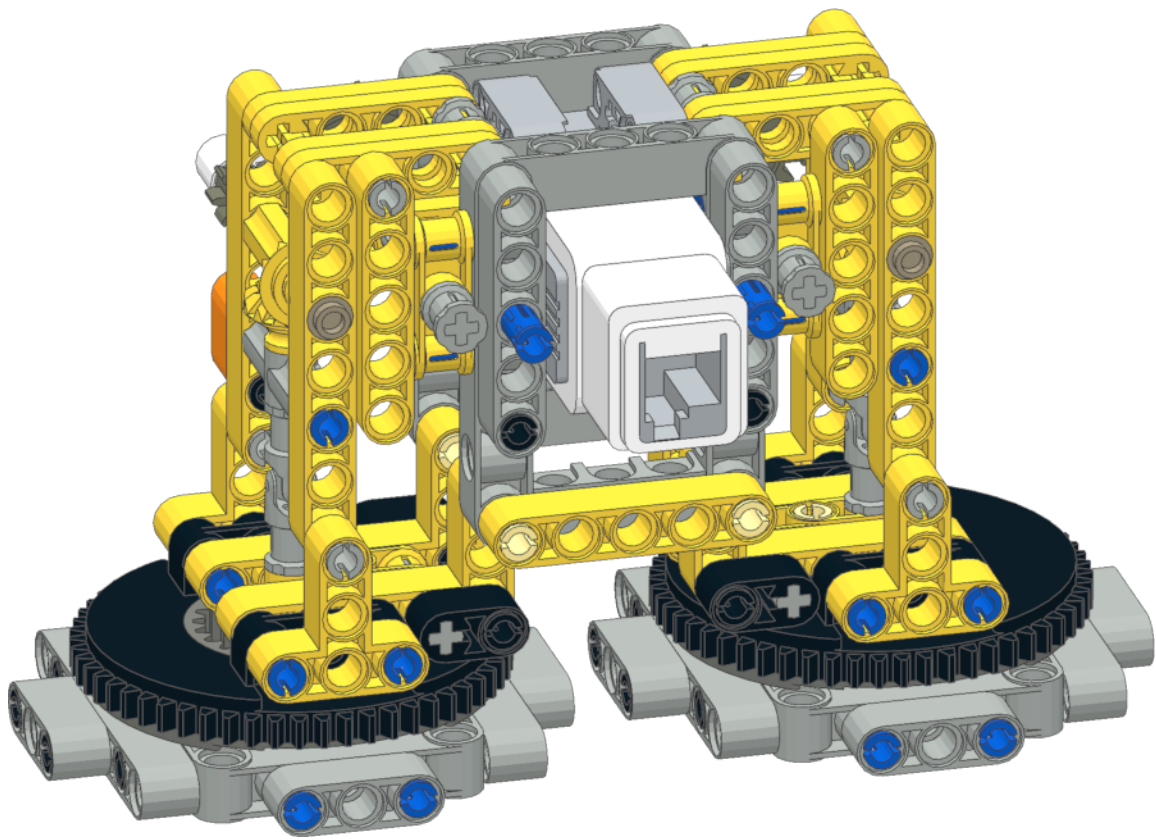
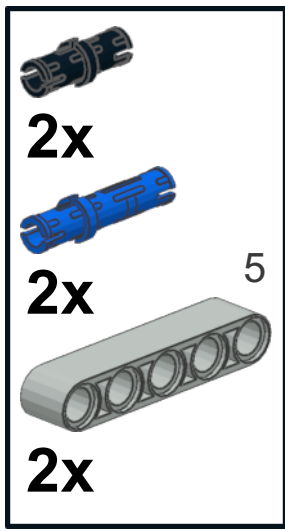
23



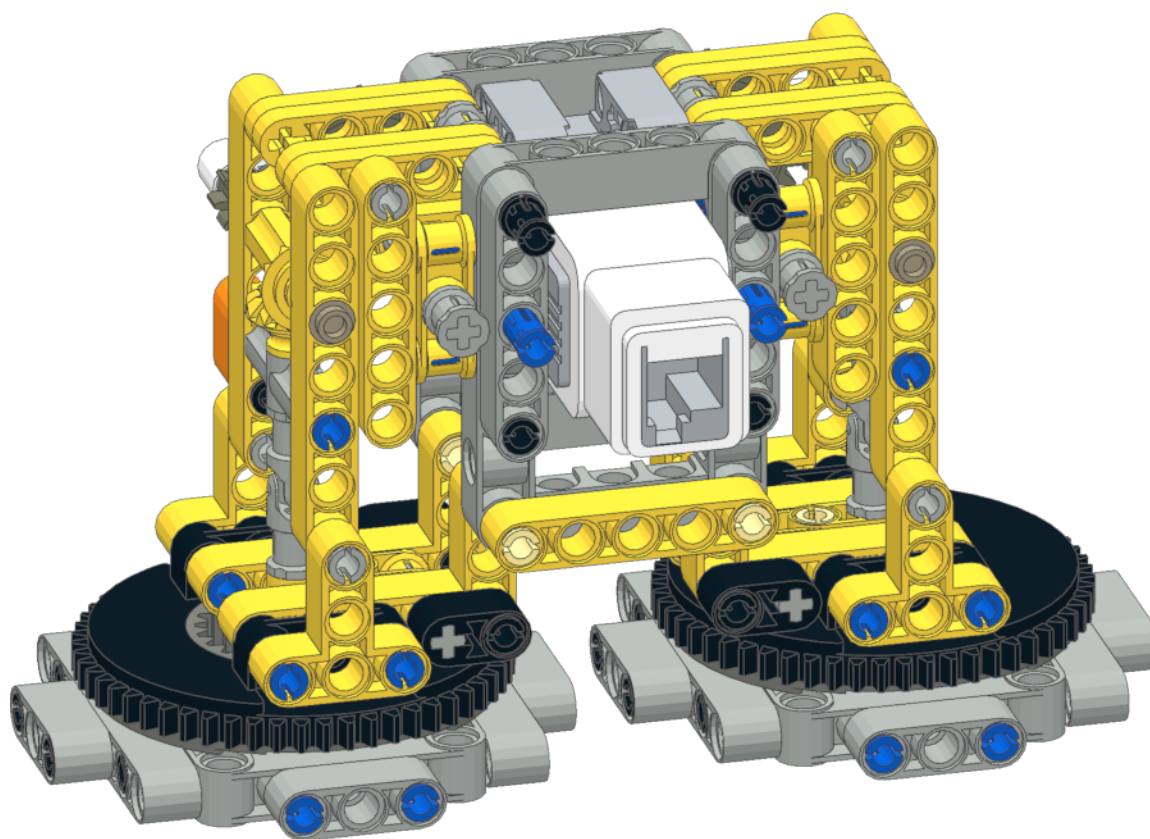
24



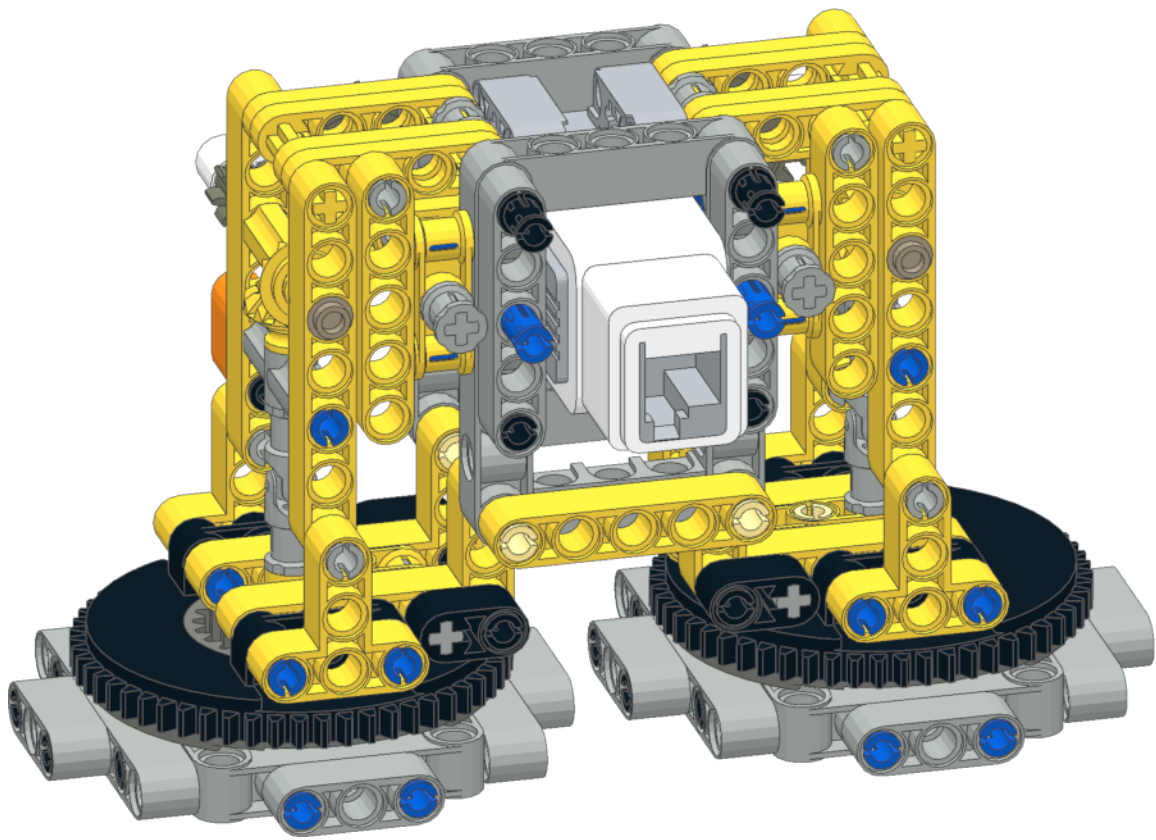
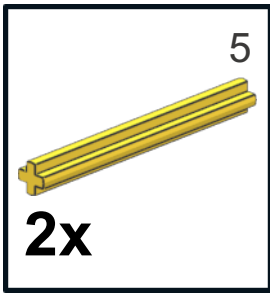
25



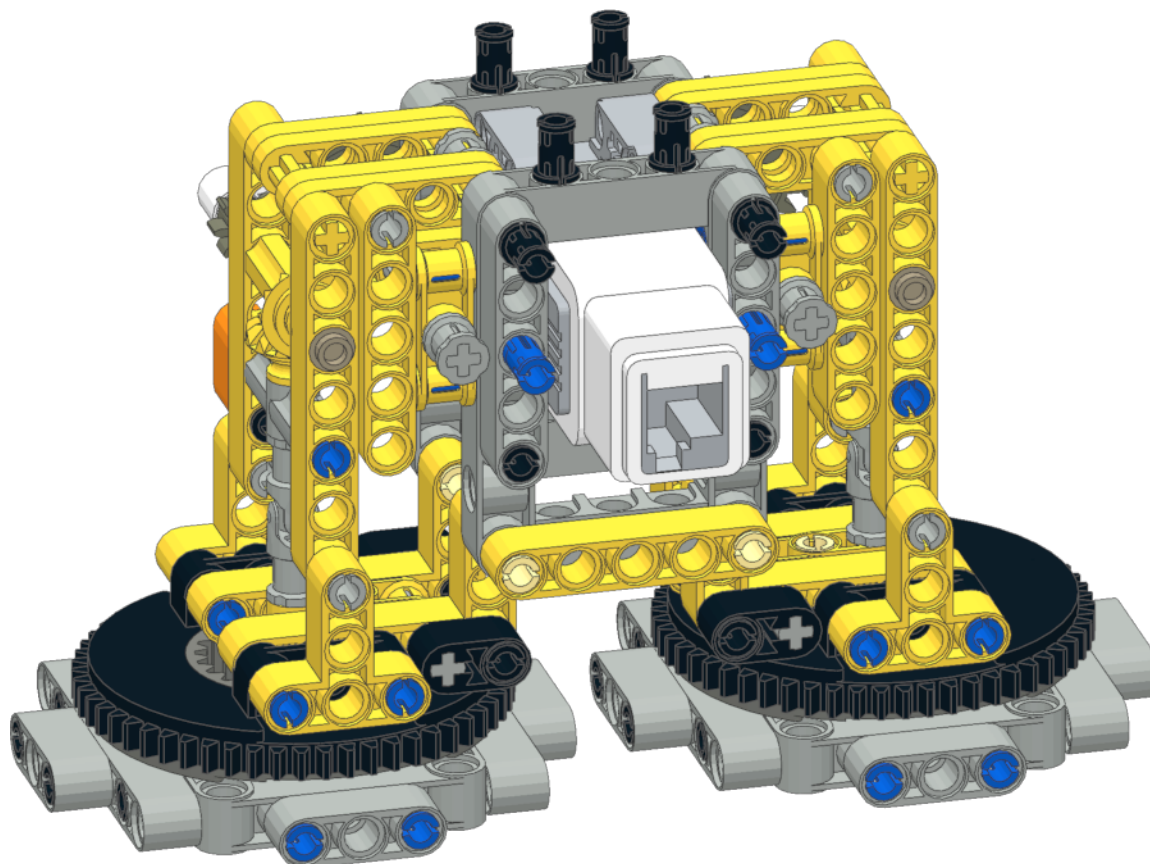
26



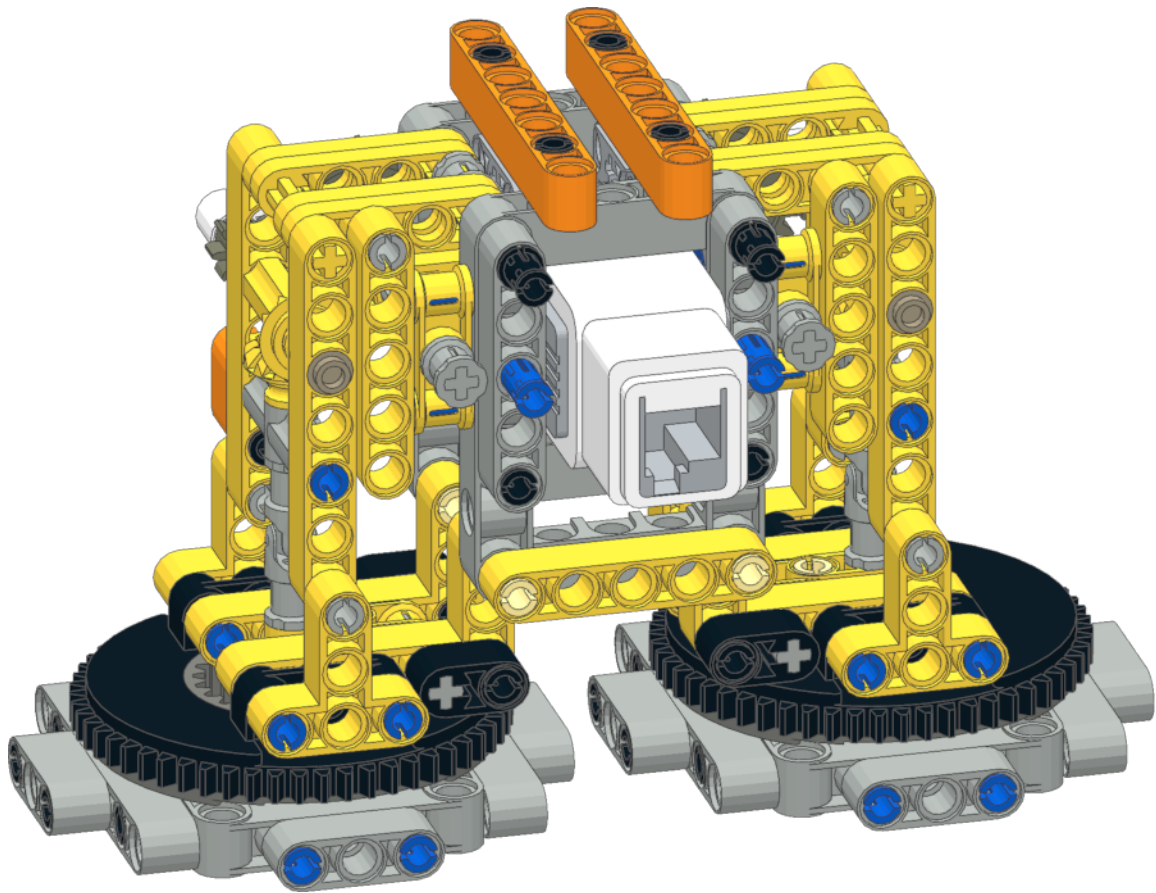
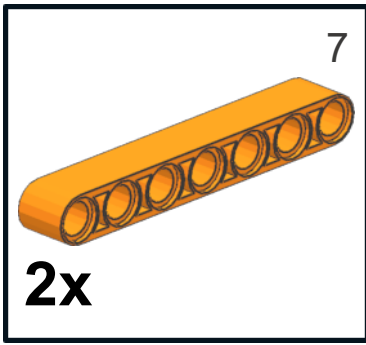
27



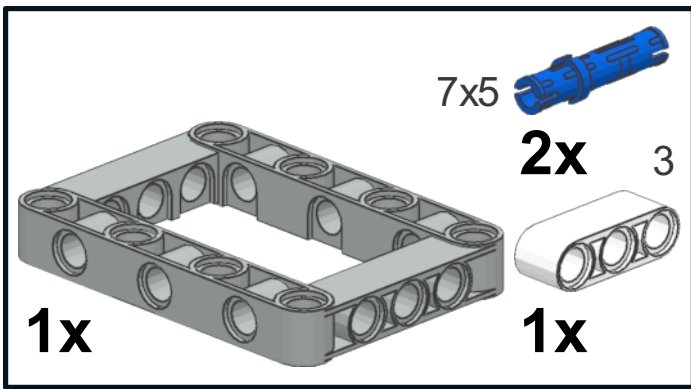
28



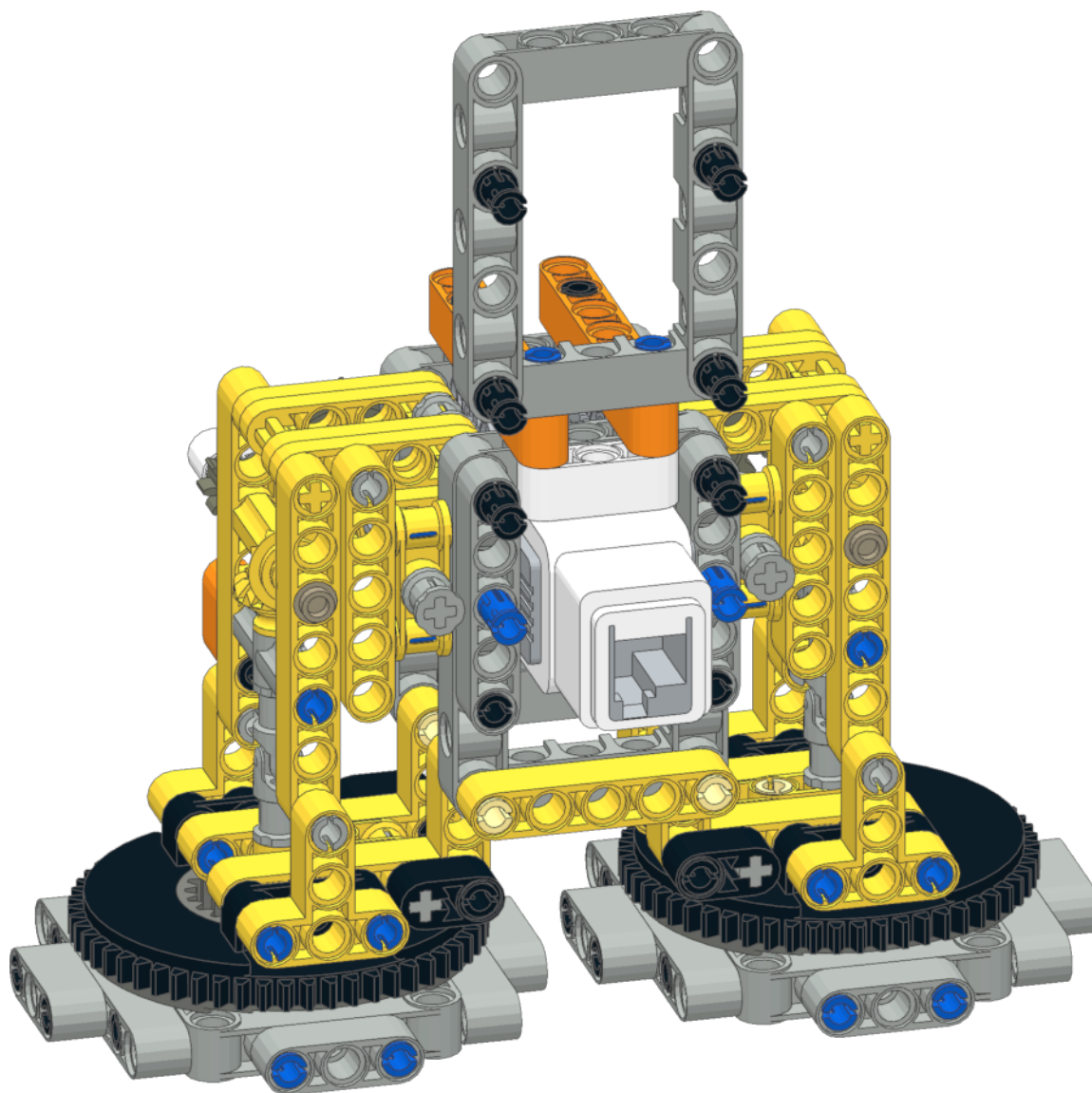
29



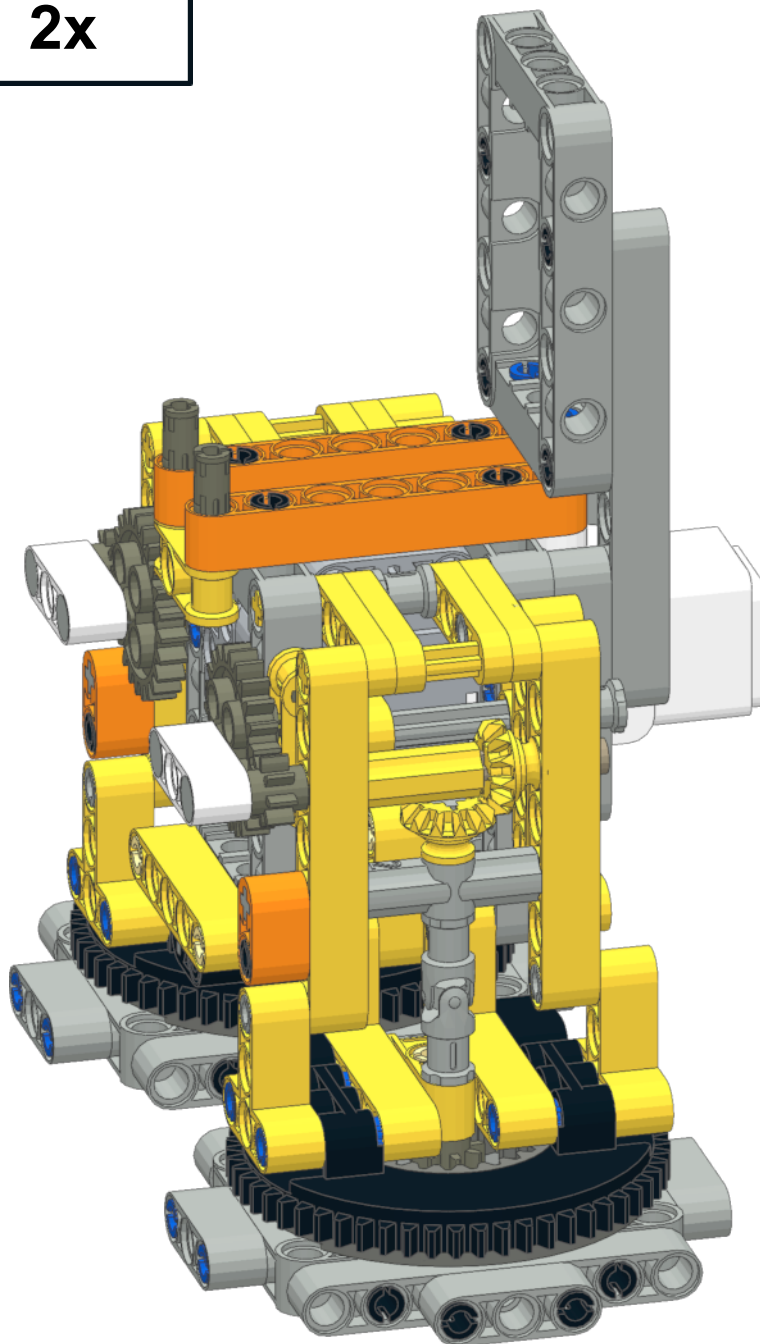
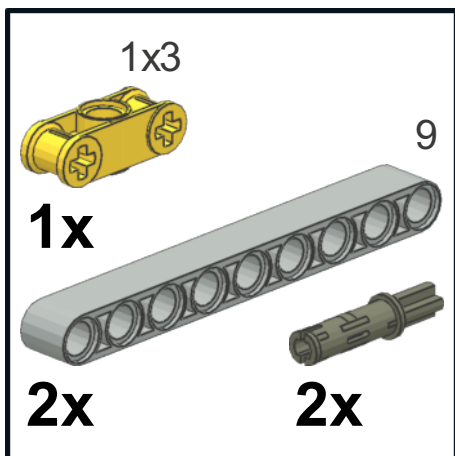
30



31

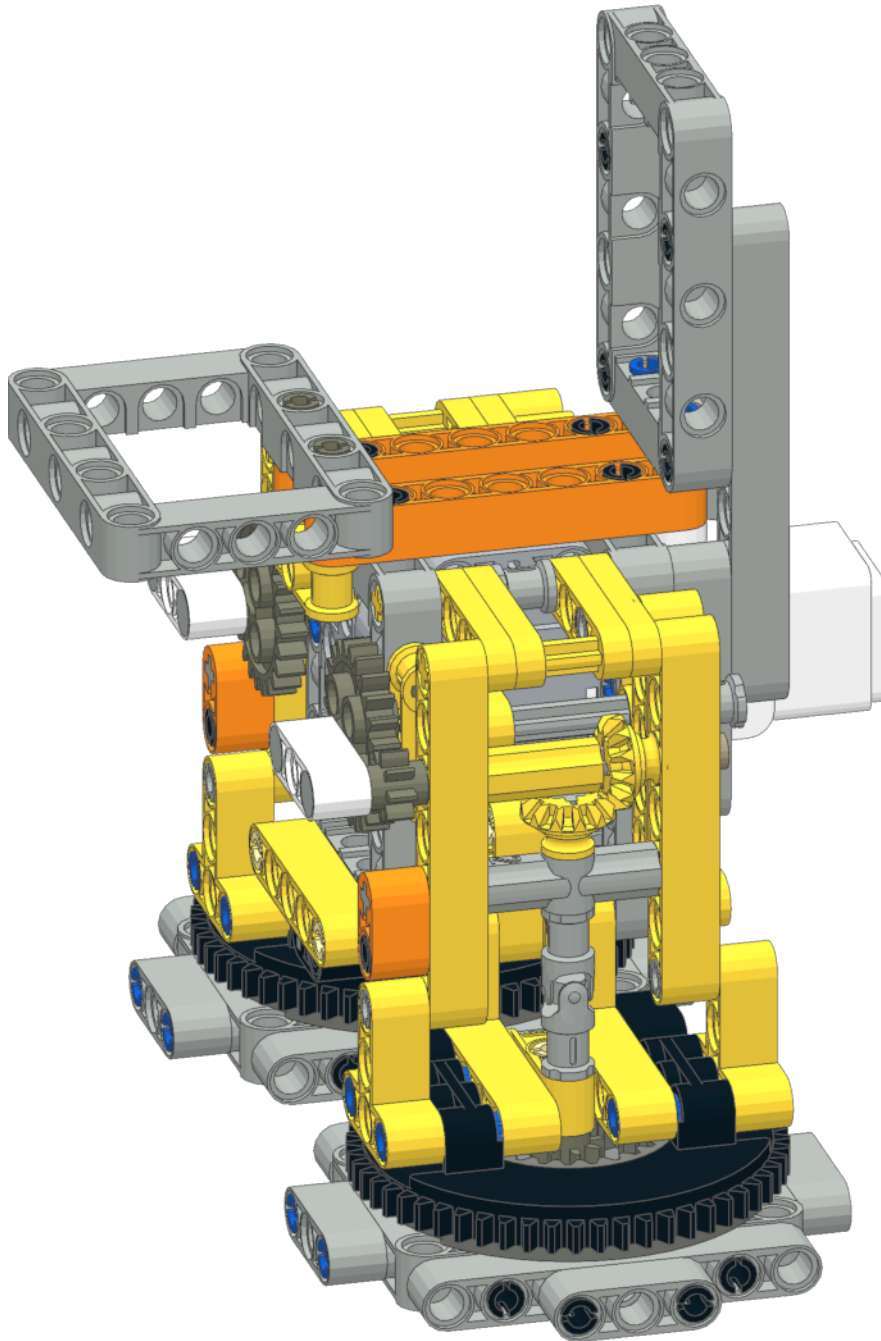
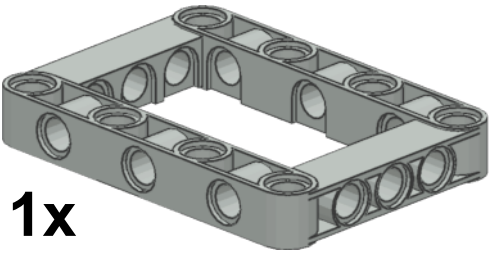


32

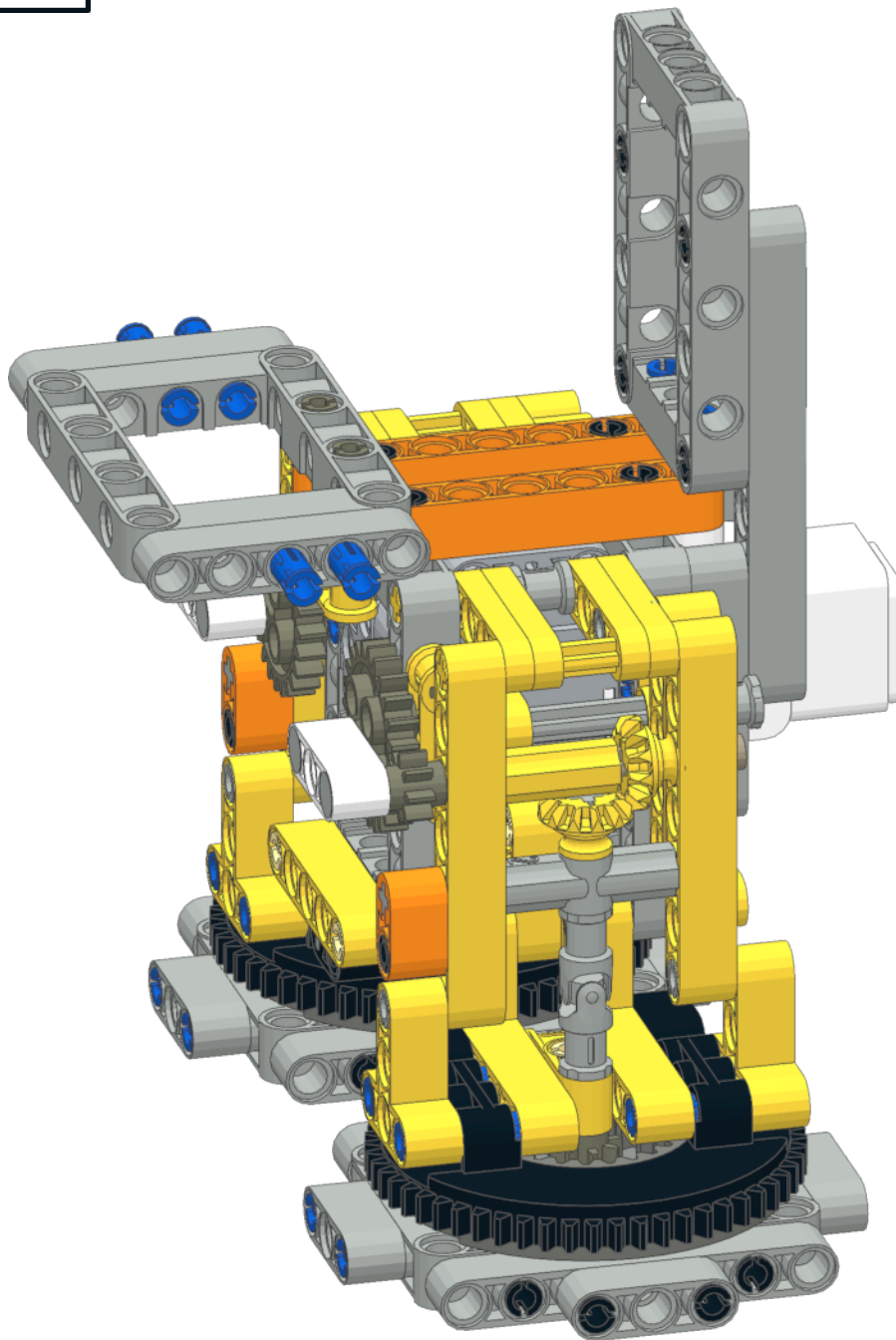
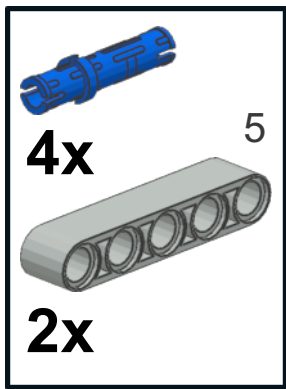



33

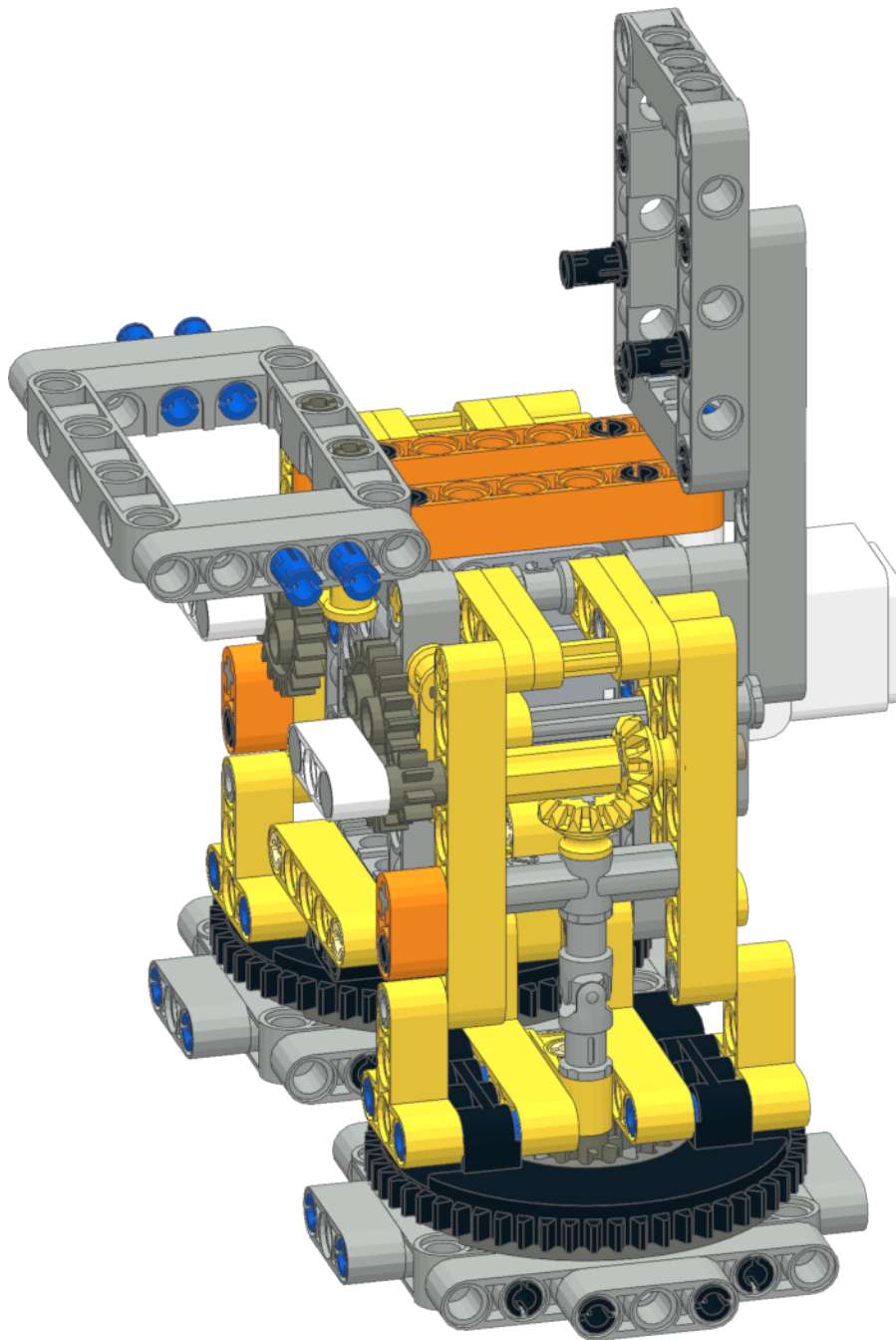
7x5



34



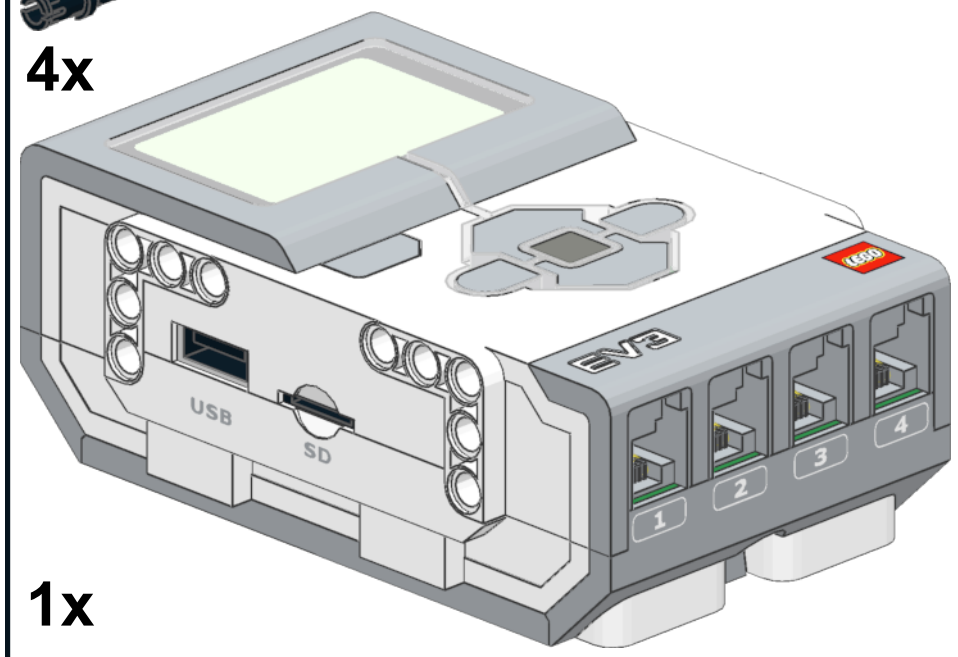
35 
2x



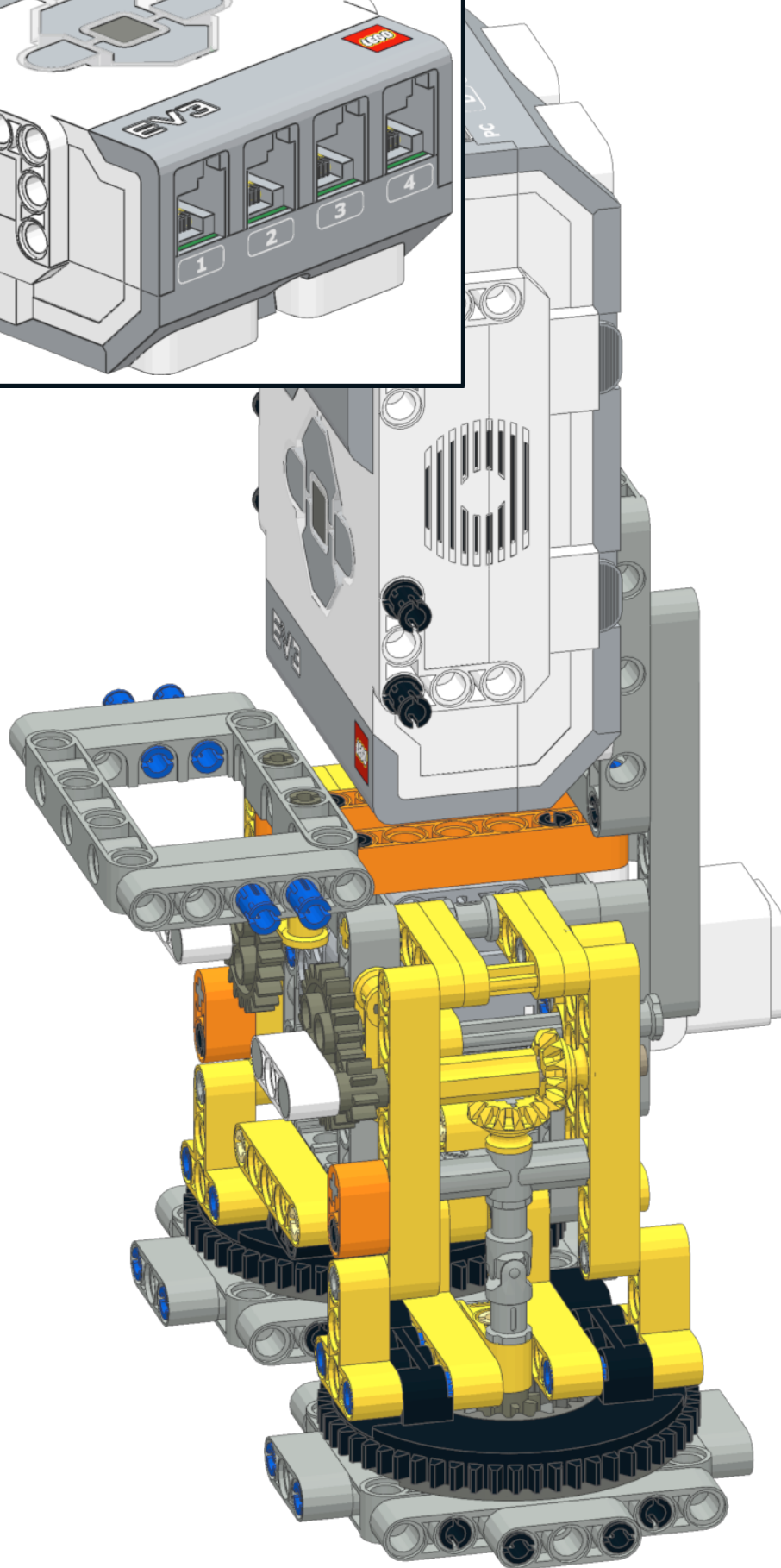
36



4x

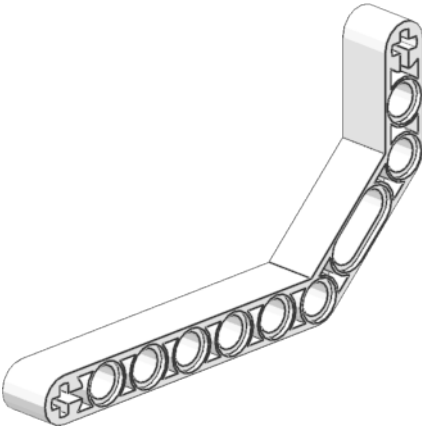


1x

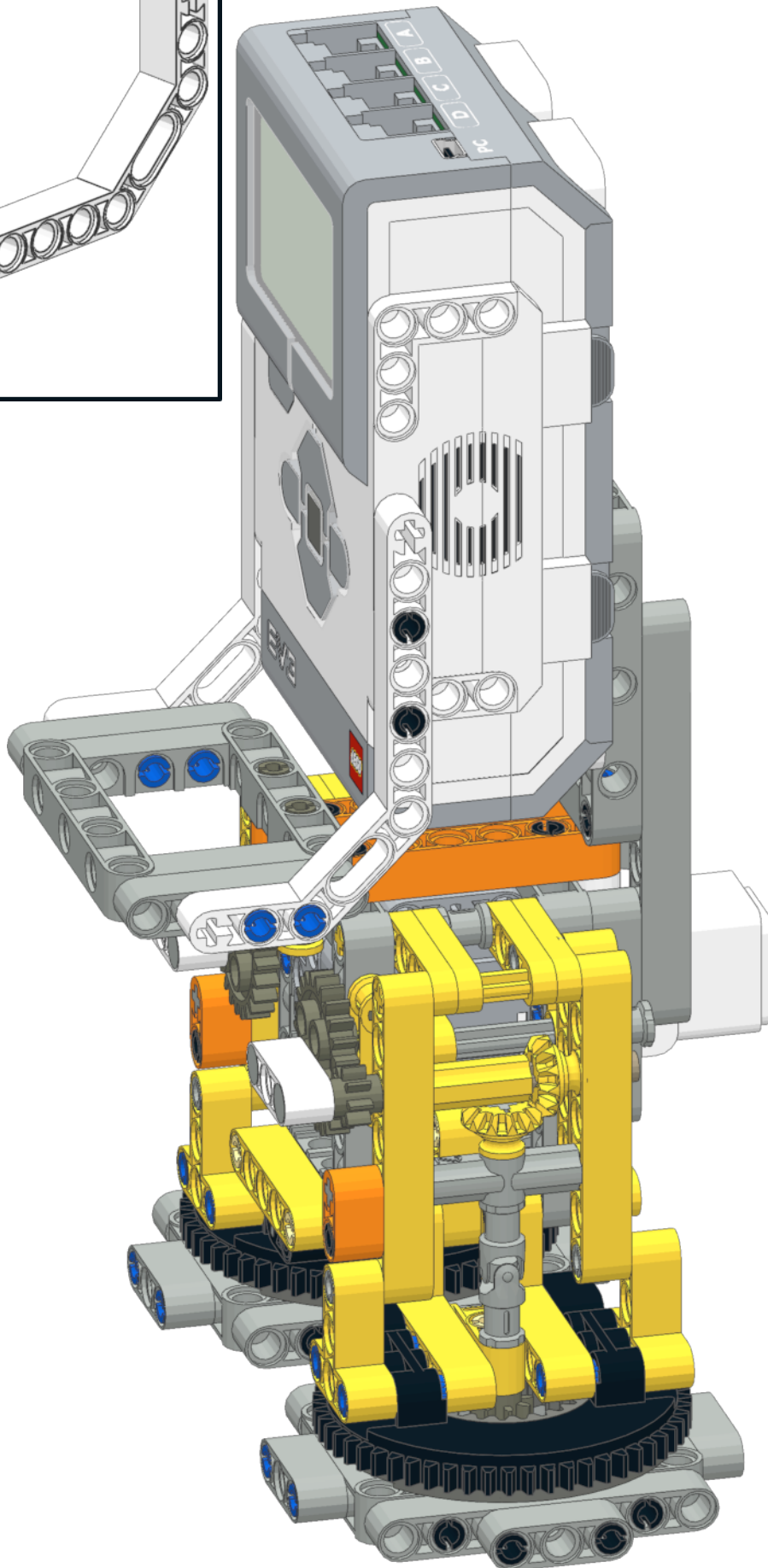


37

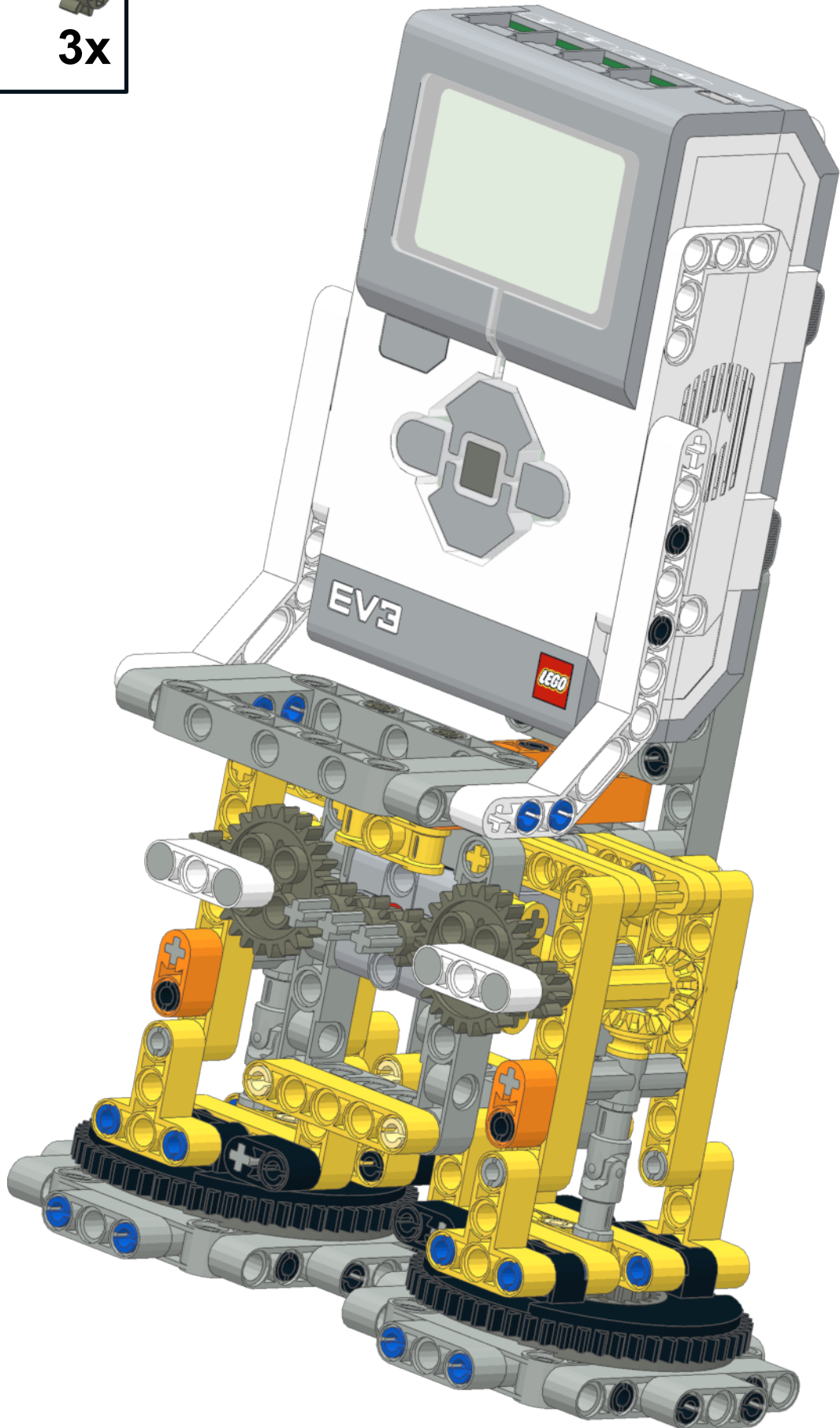
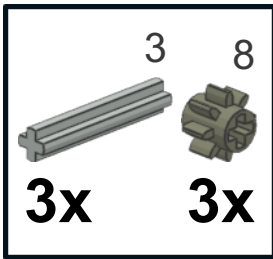
3x3.8x7



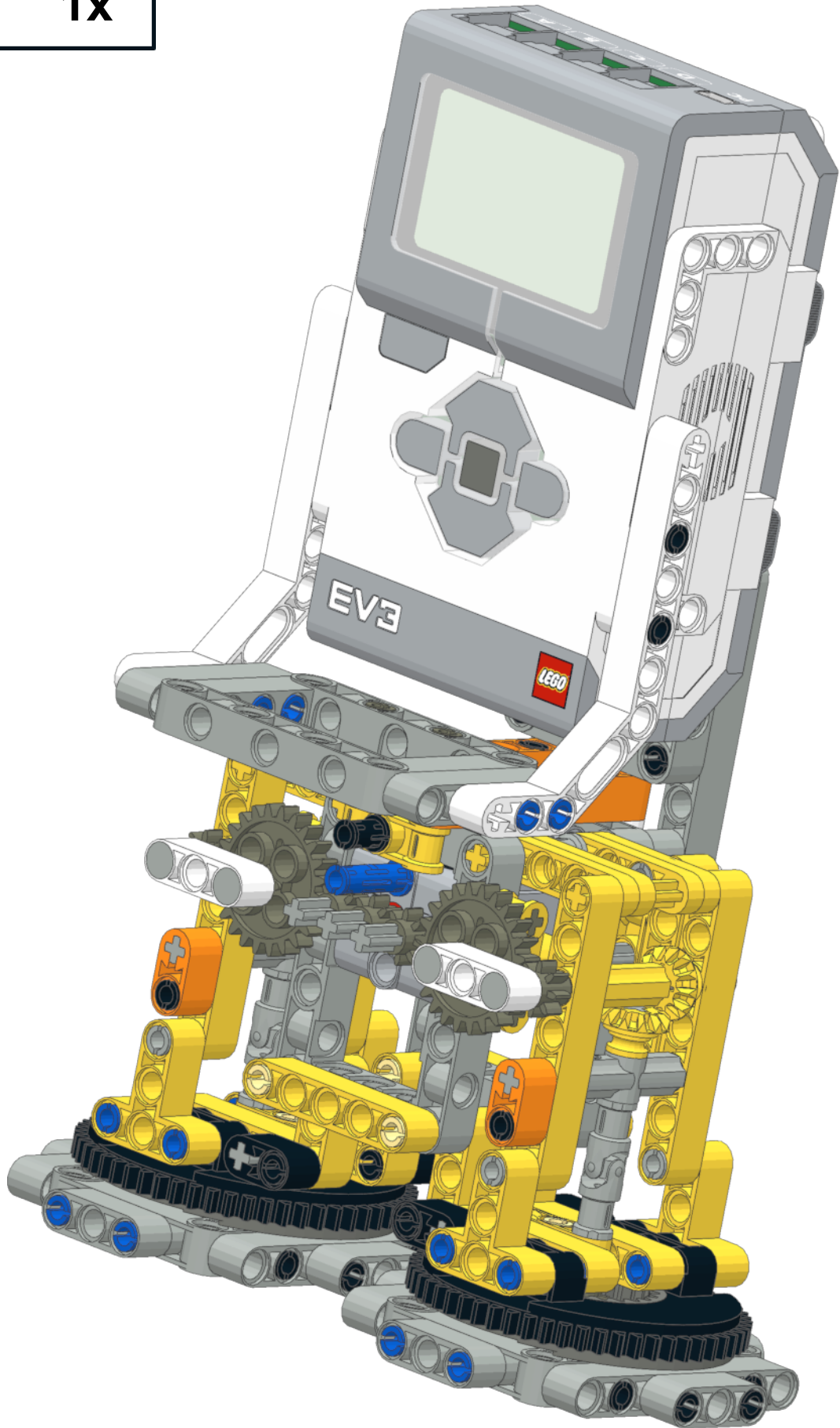
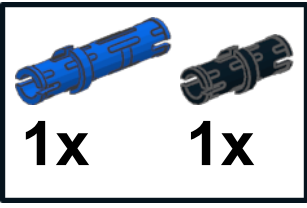
2x



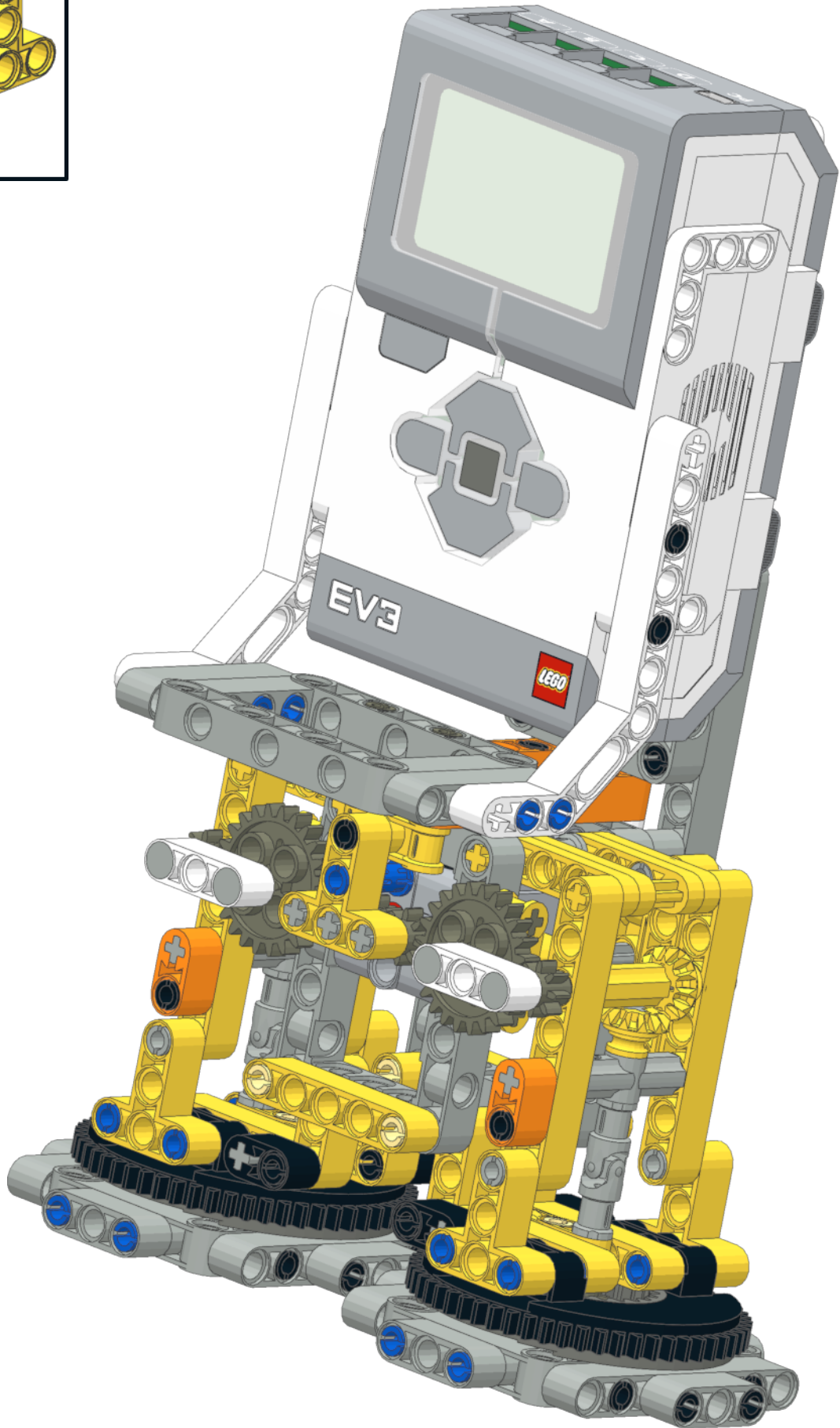
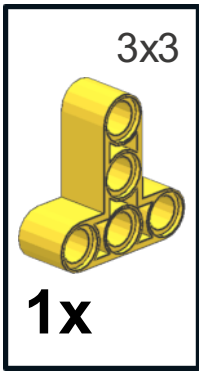
38



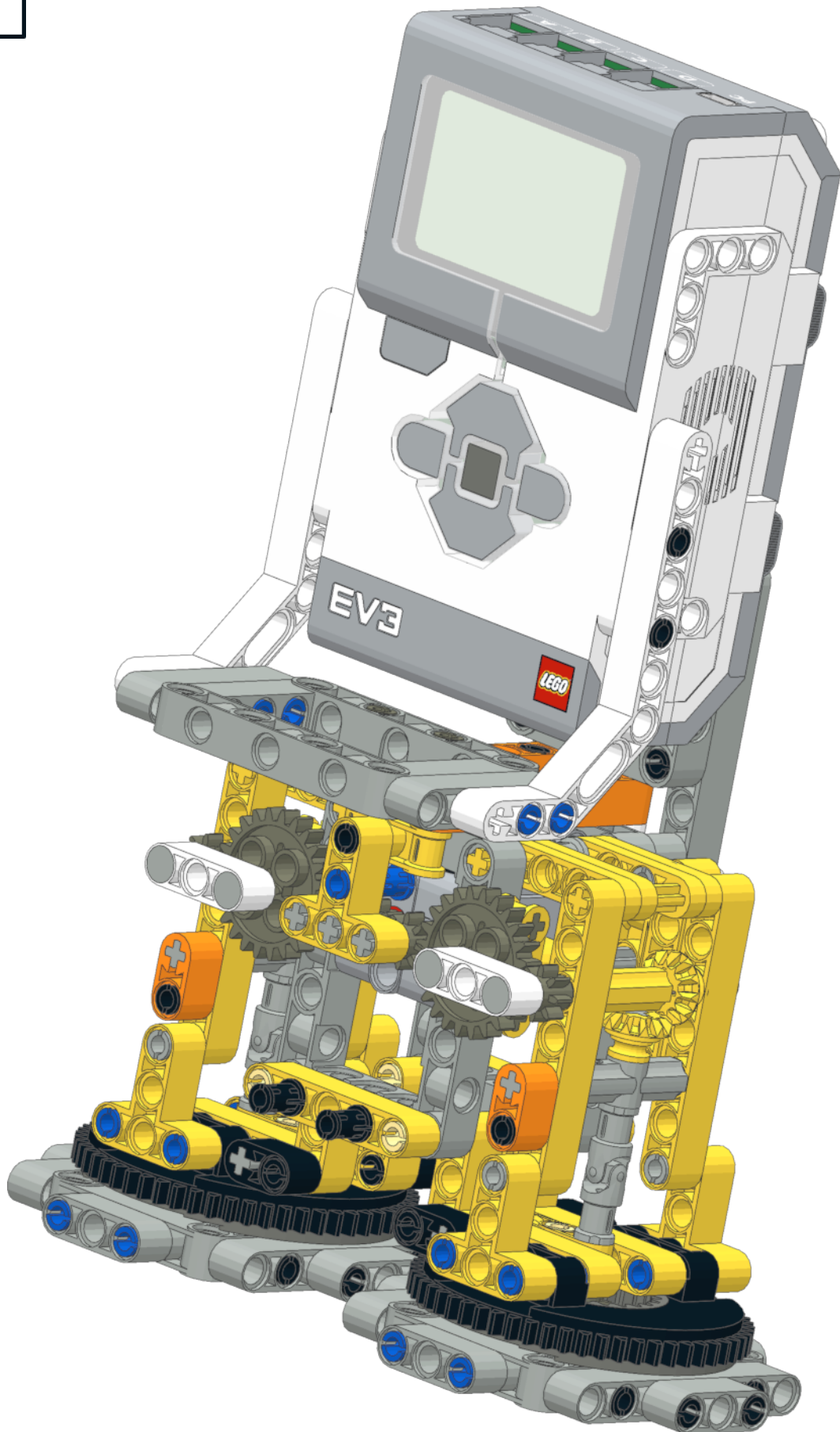
39



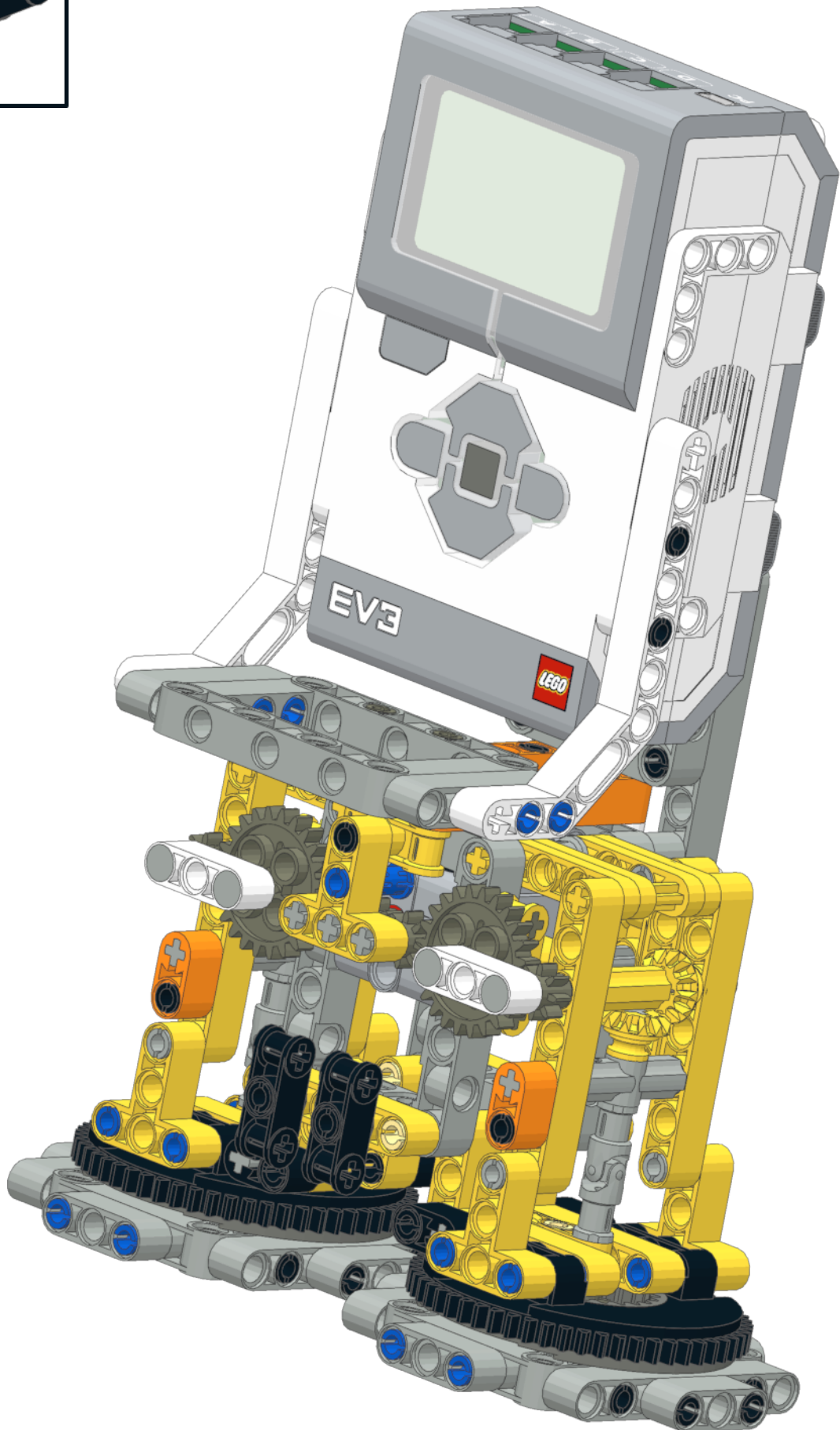
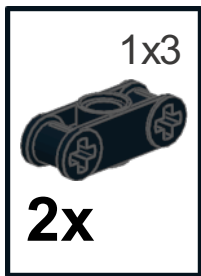
40



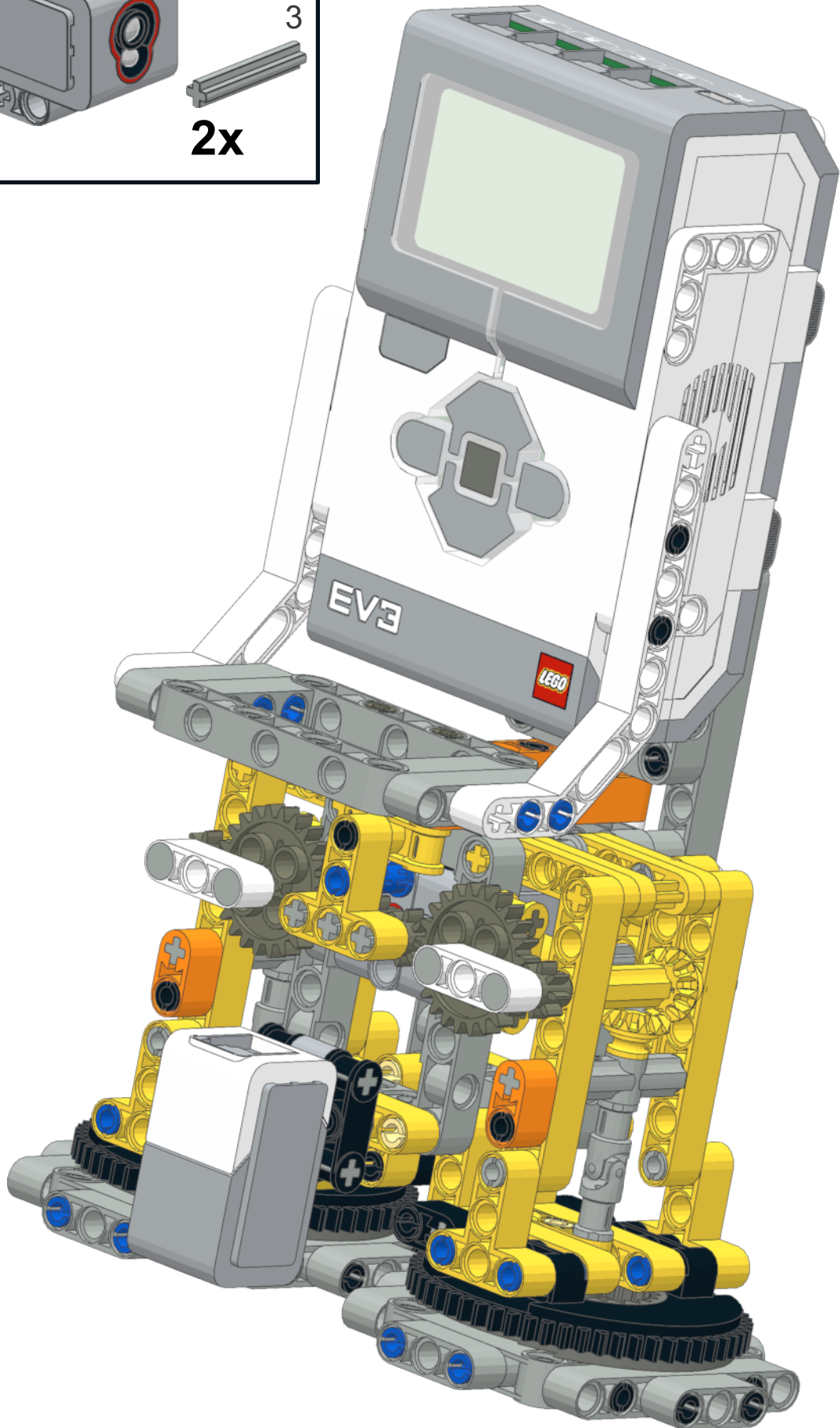
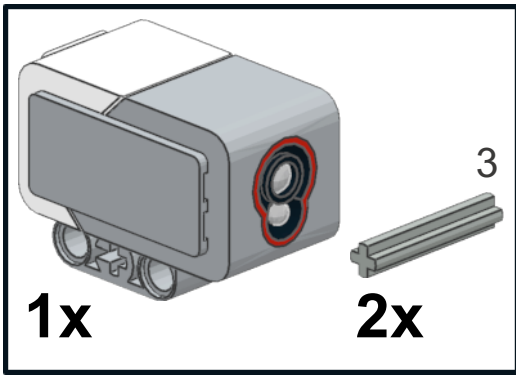
41

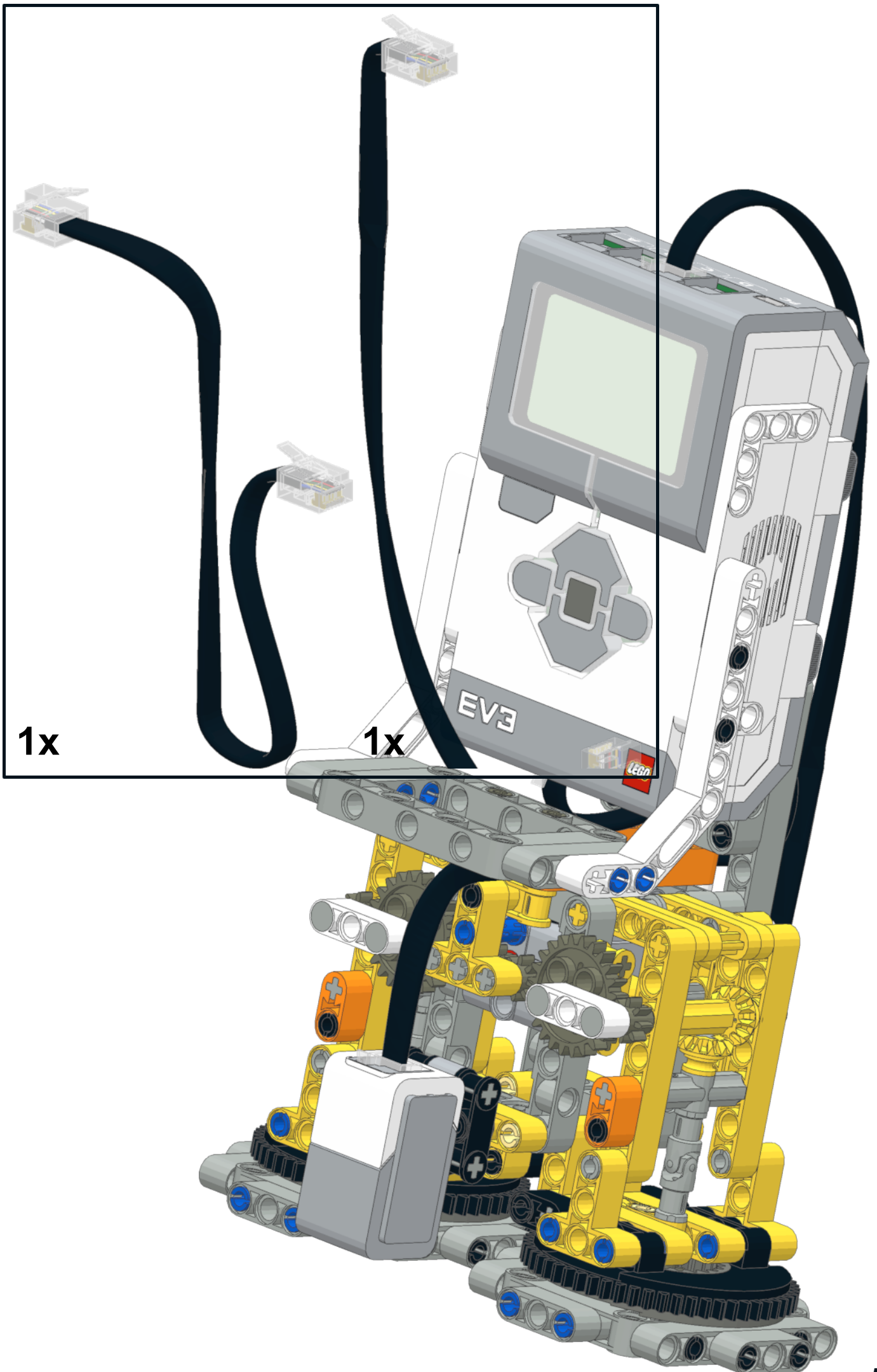


42



43





1x

1x

