

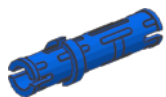
HOLLI3

A holonomic robot

by
Stu Nicholls
<http://www.stunicholls.com>

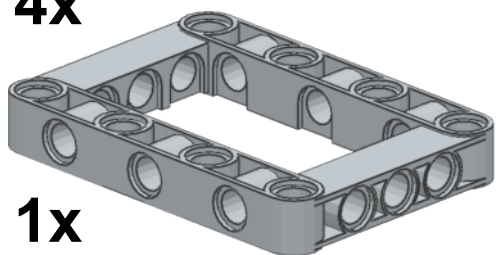


1

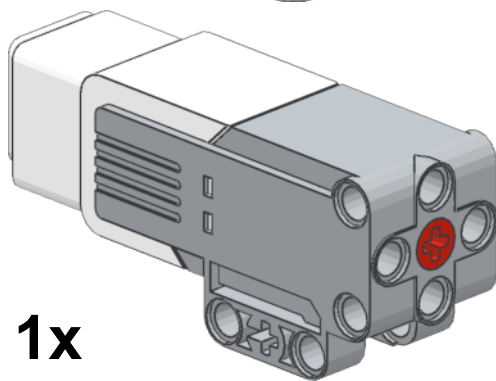


4x

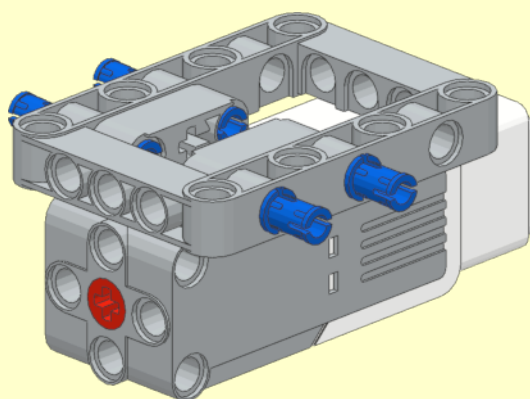
7x5



1x



1x



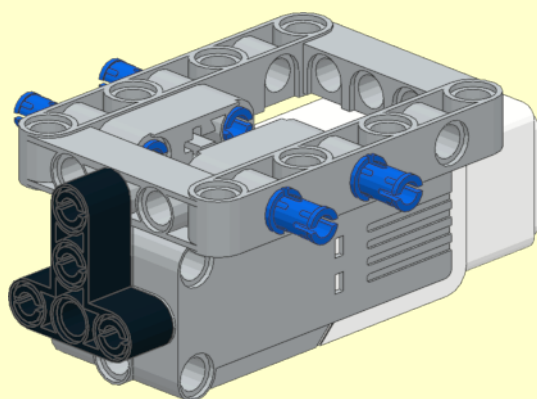
2




4x 3x3



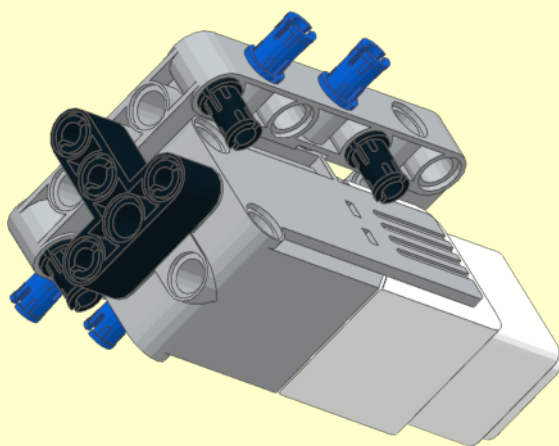
1x



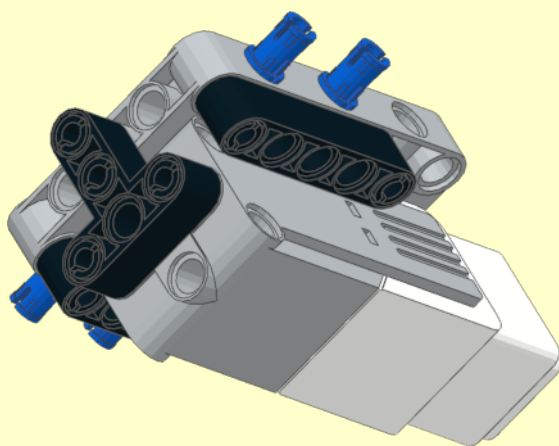
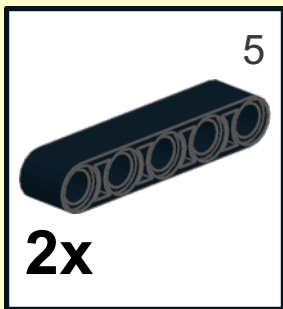
3




4x



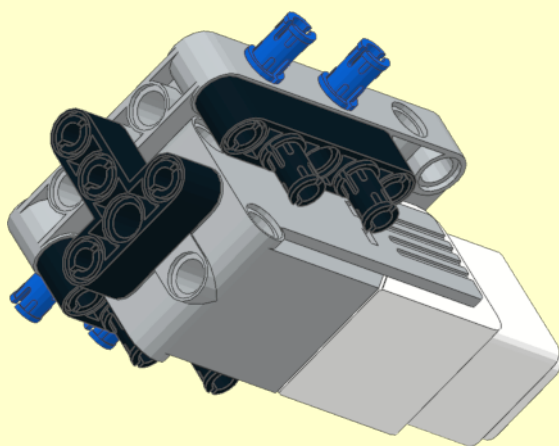
4



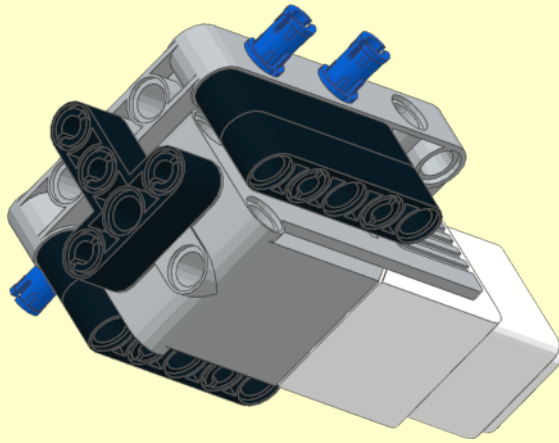
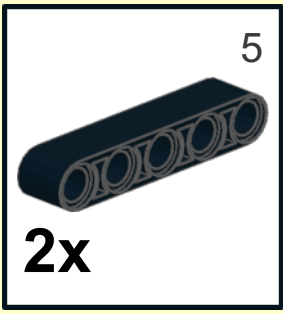
5



4x



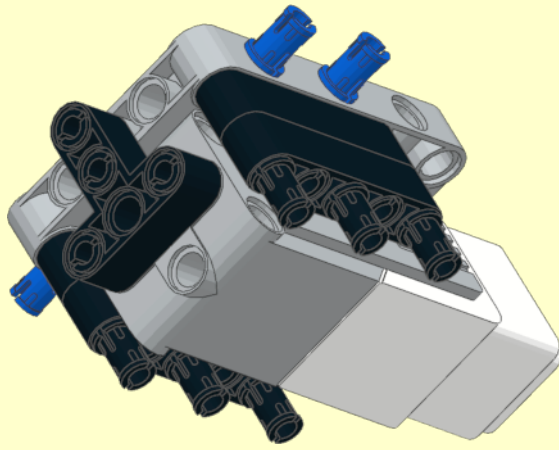
6



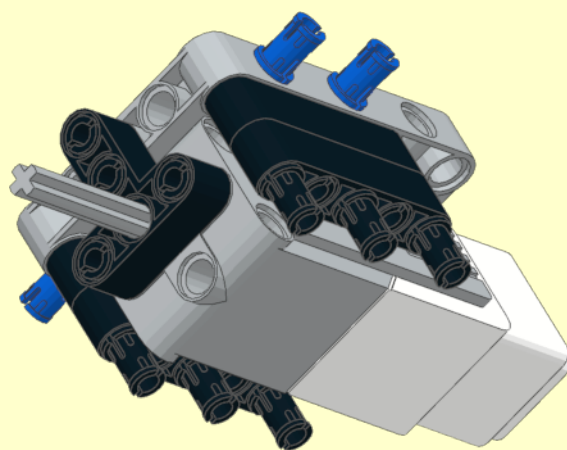
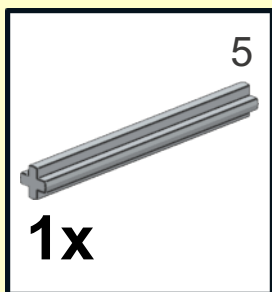
7



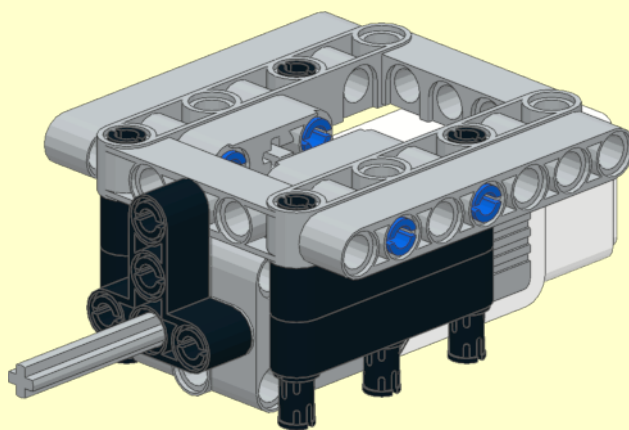
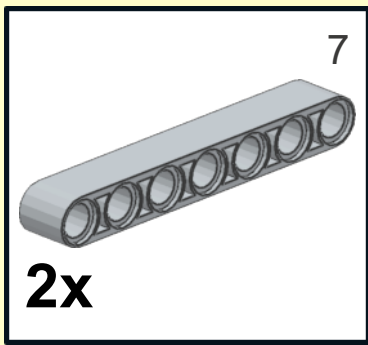
6x



8

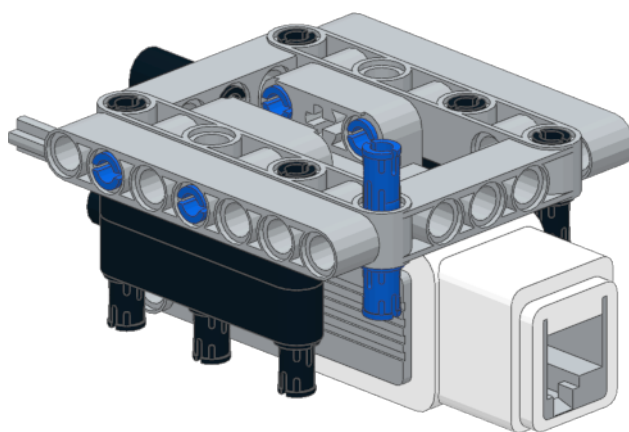
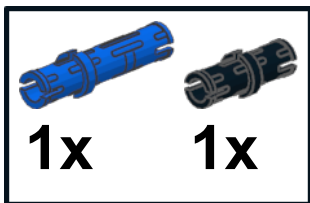


9

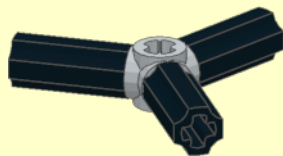
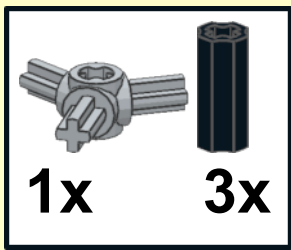


x3

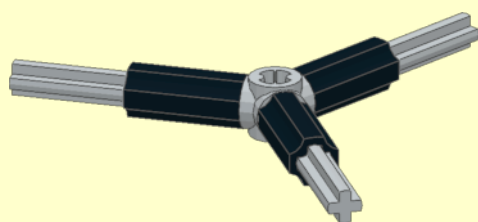
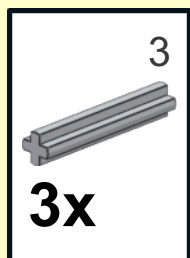
1




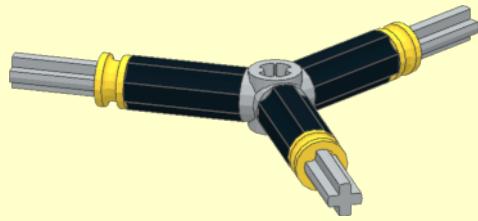
1



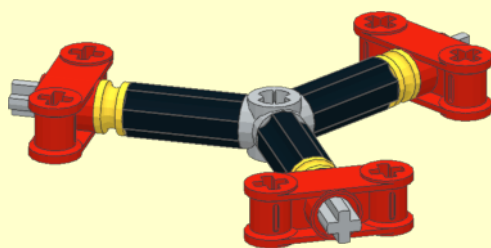
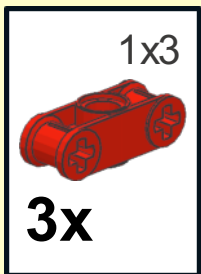
2

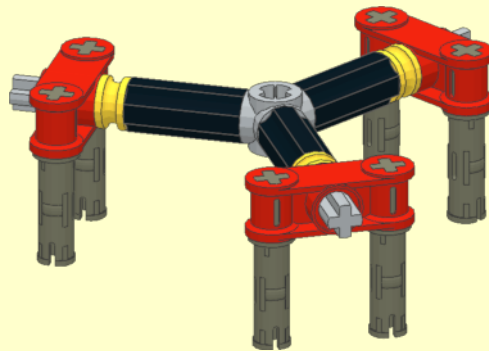
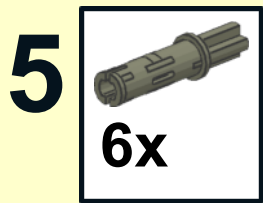


3 
3x

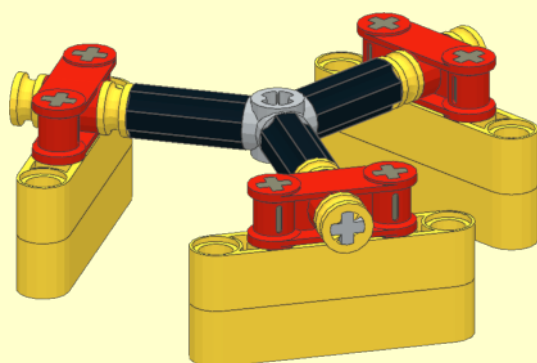
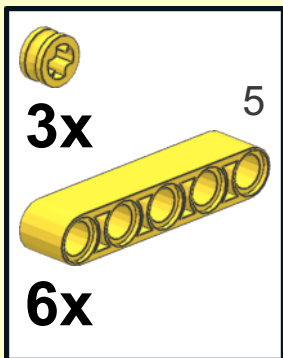


4

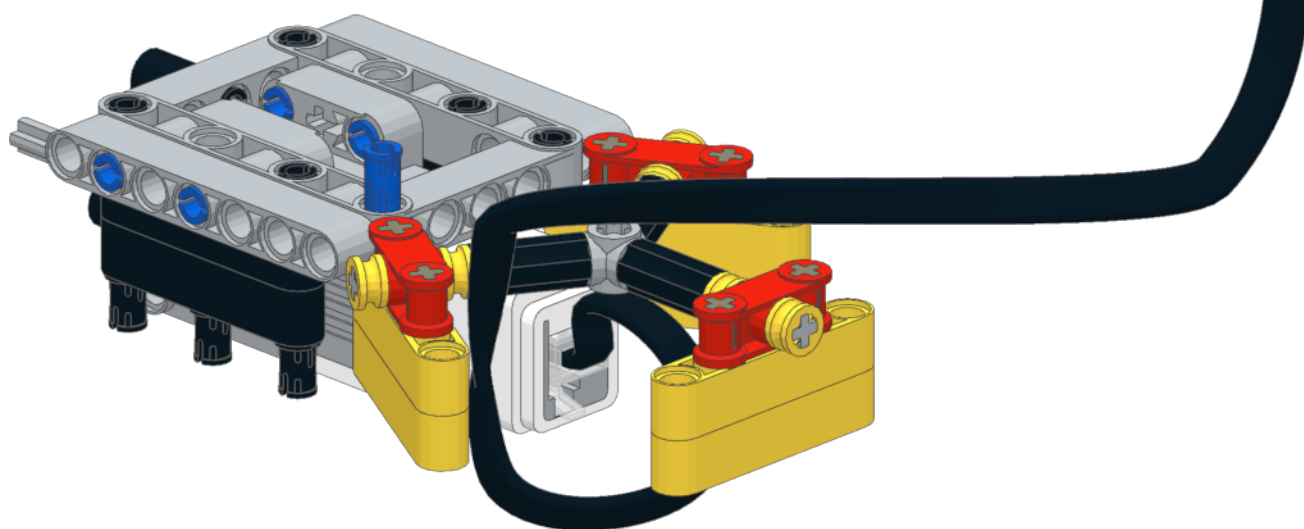
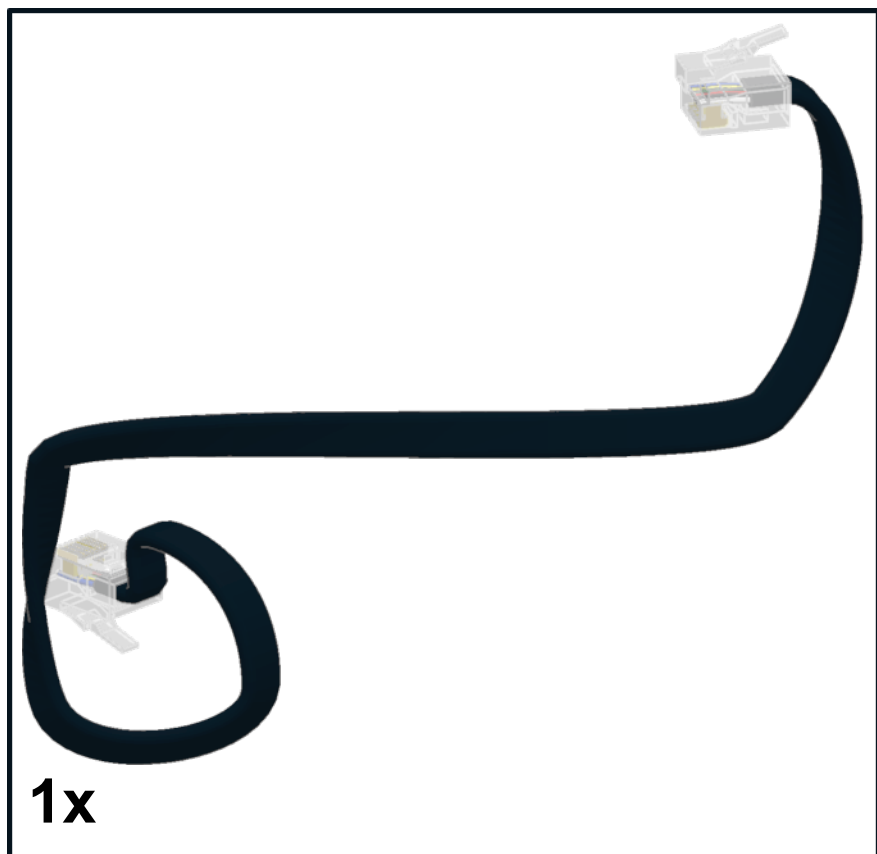


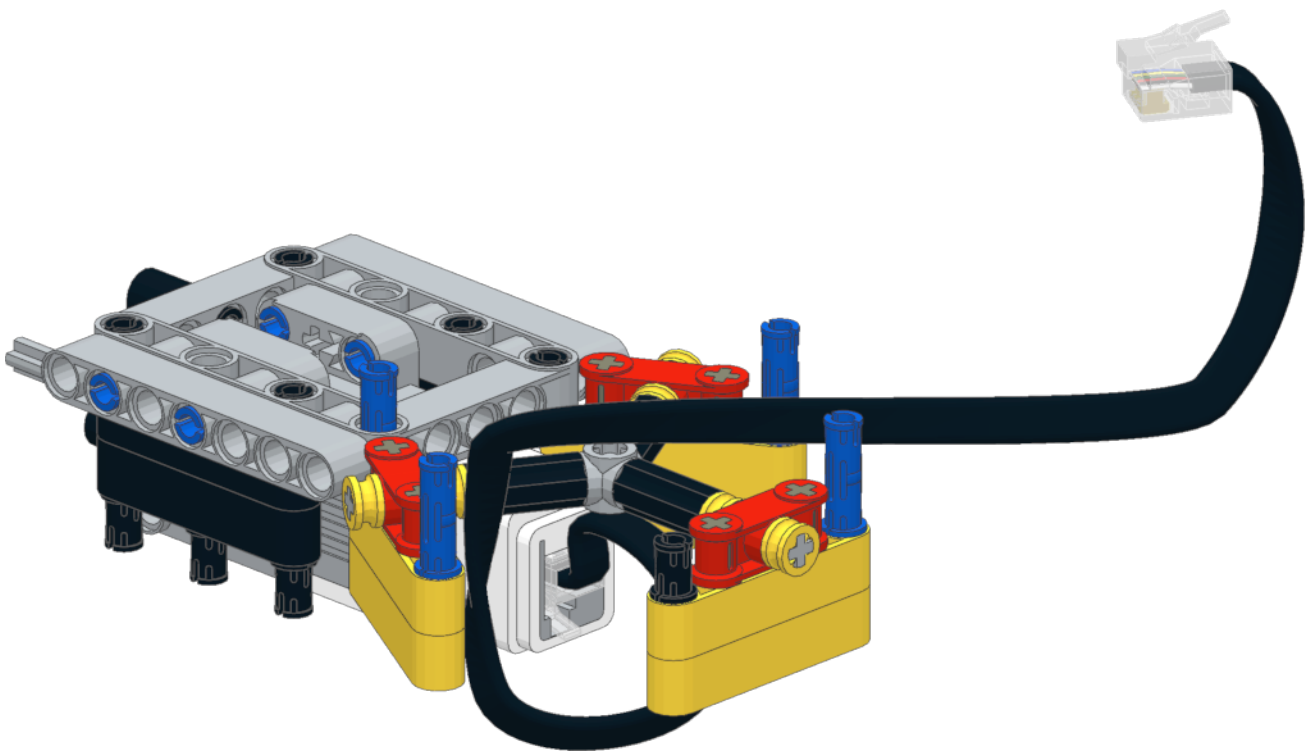
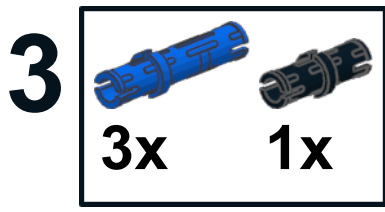


6

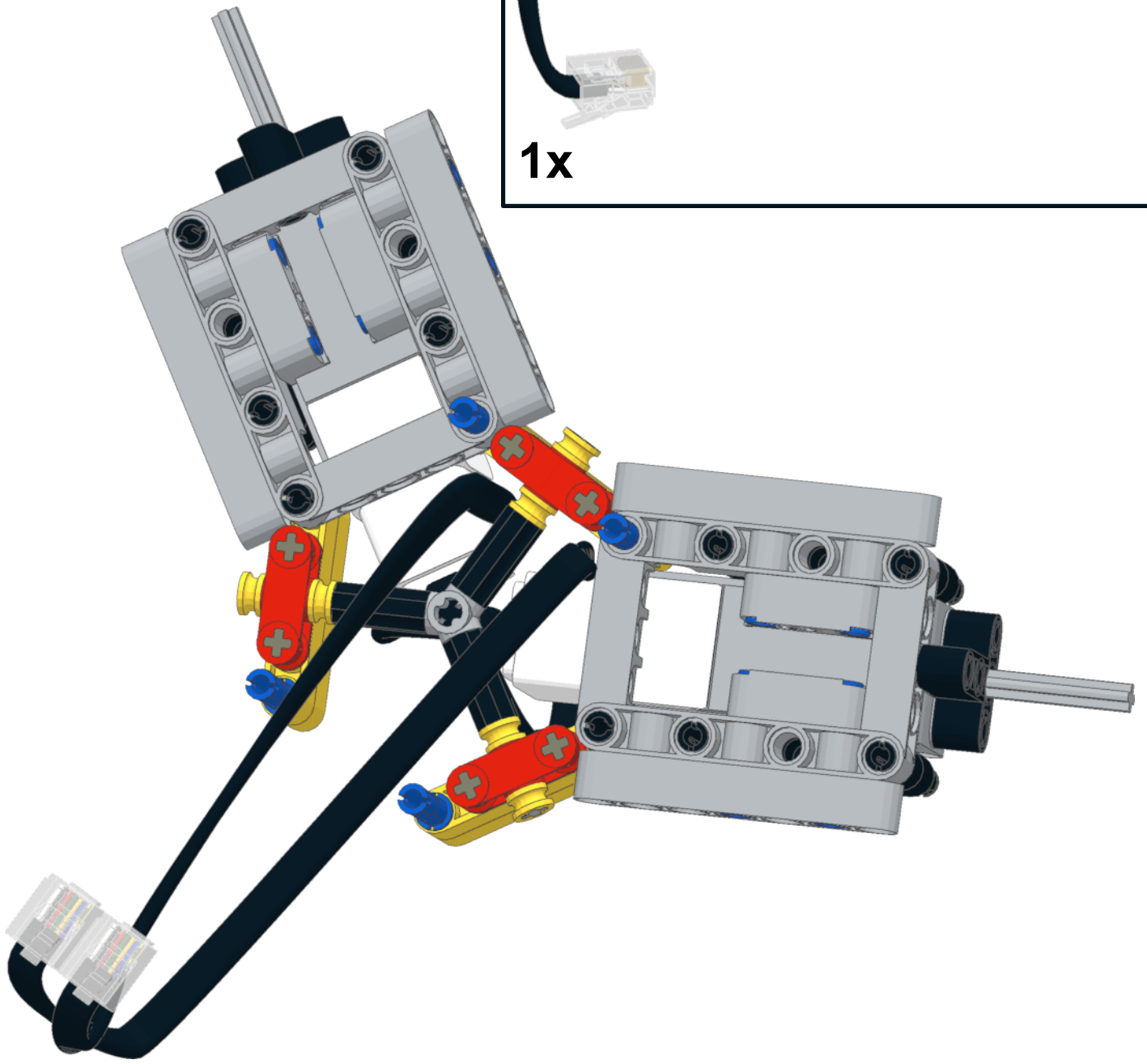
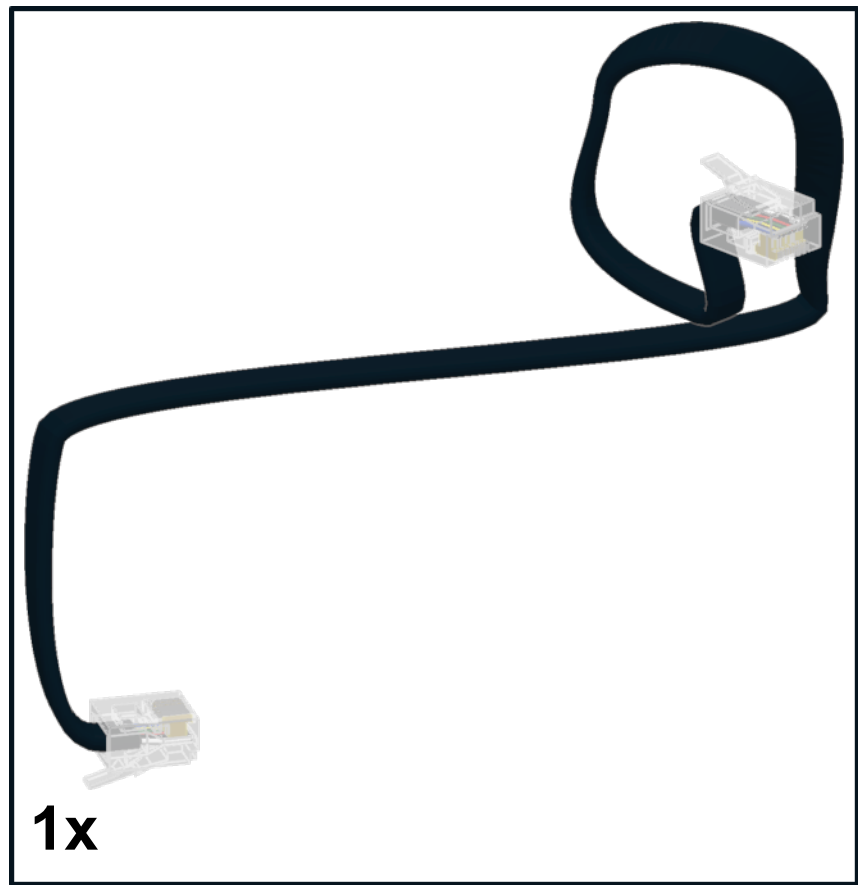


2

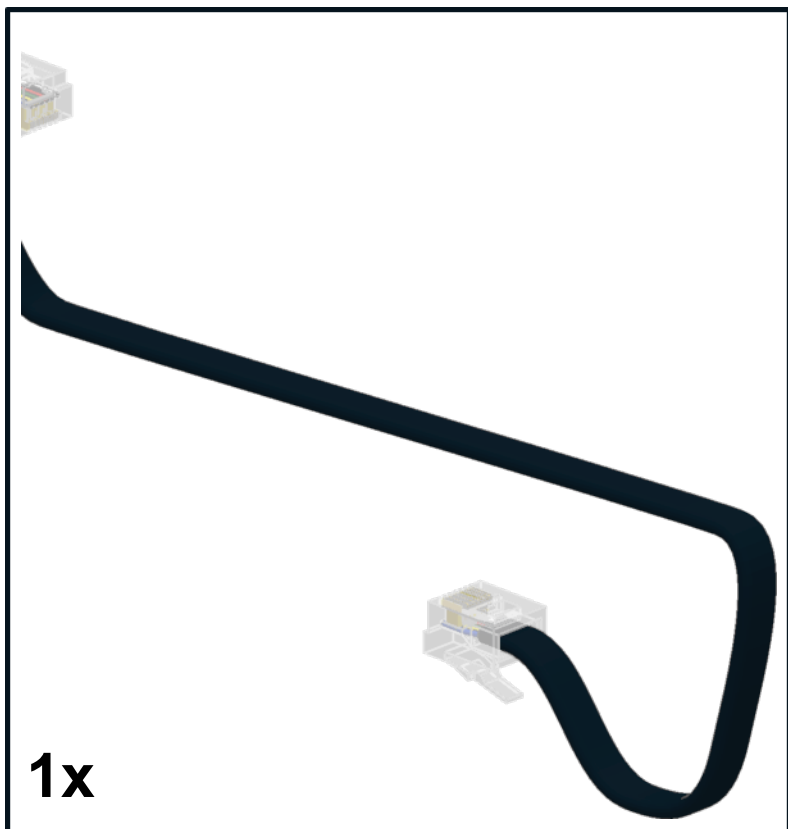
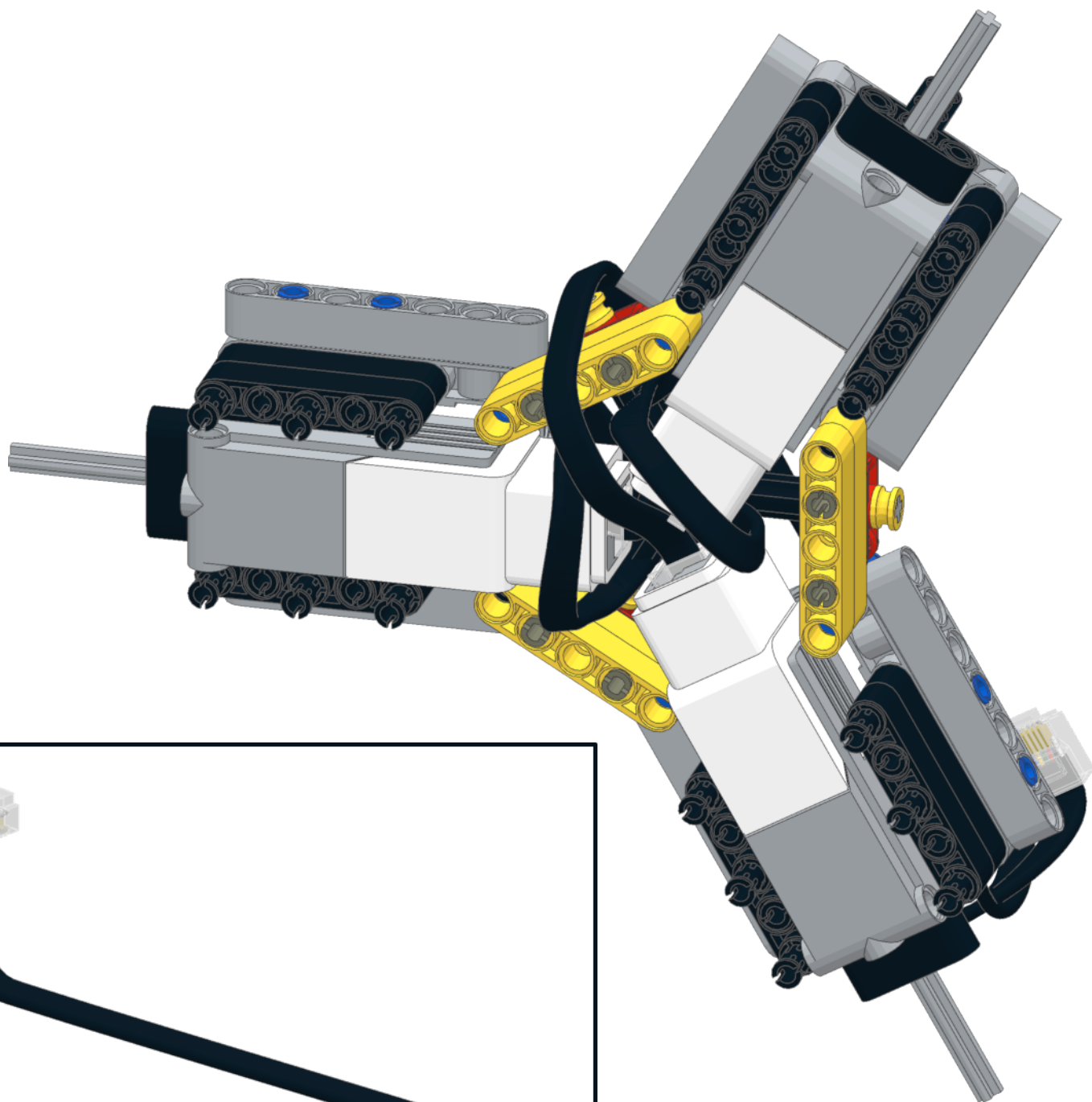




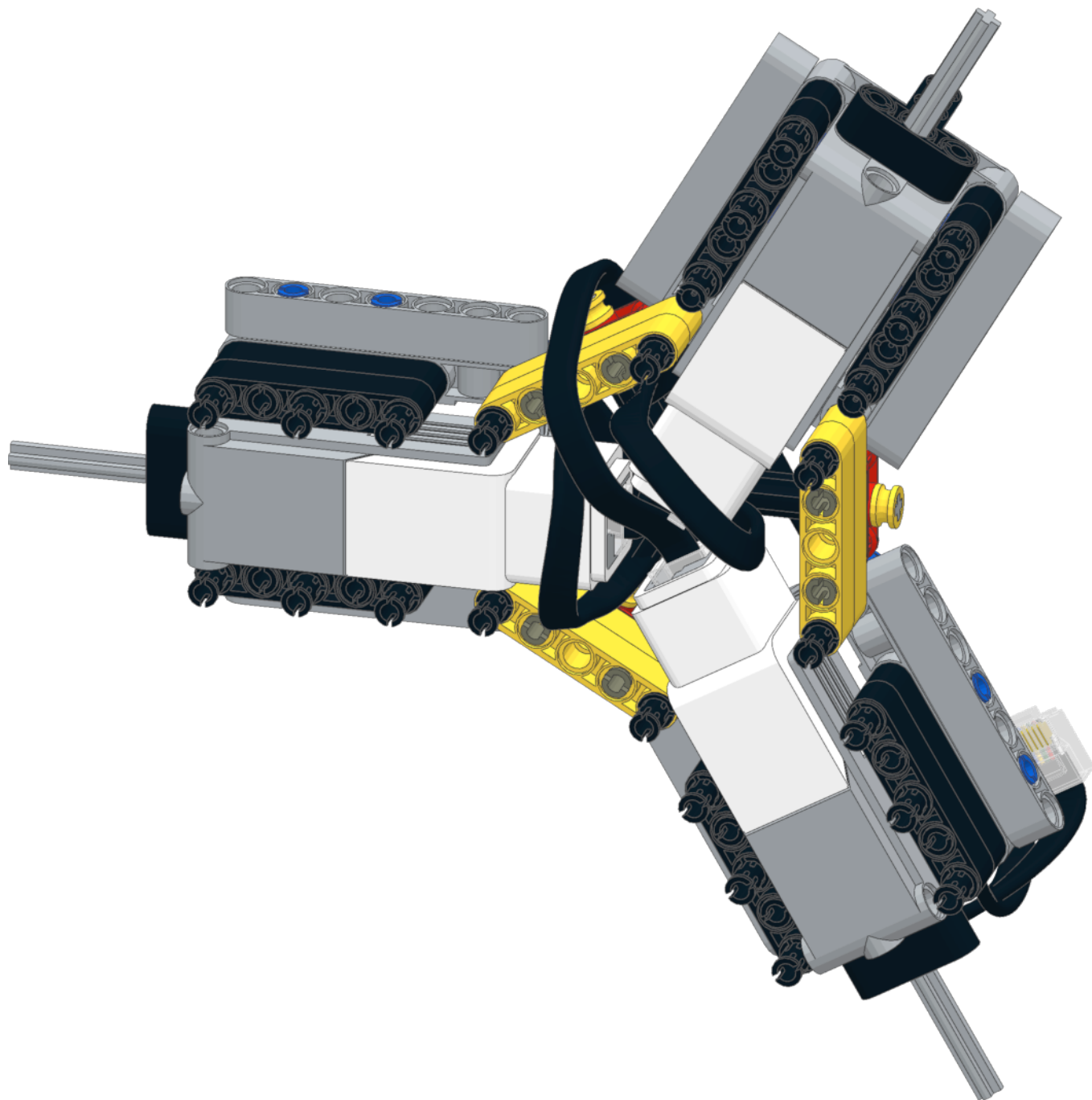
4



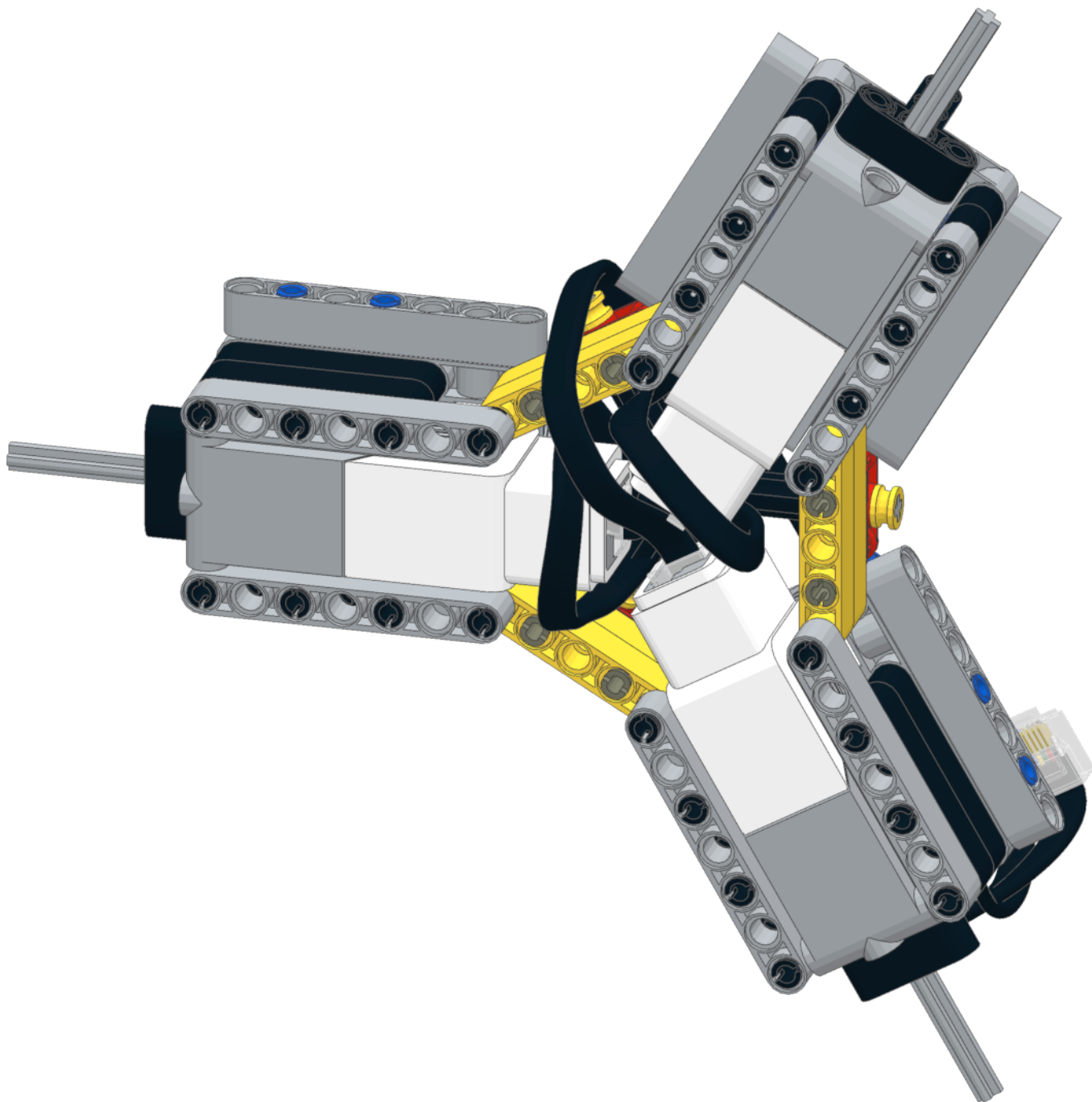
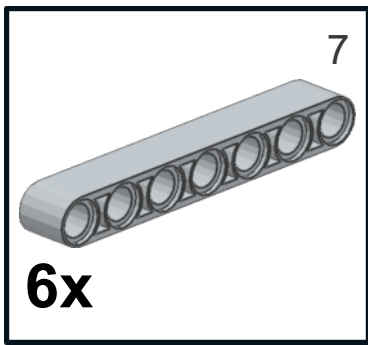
5



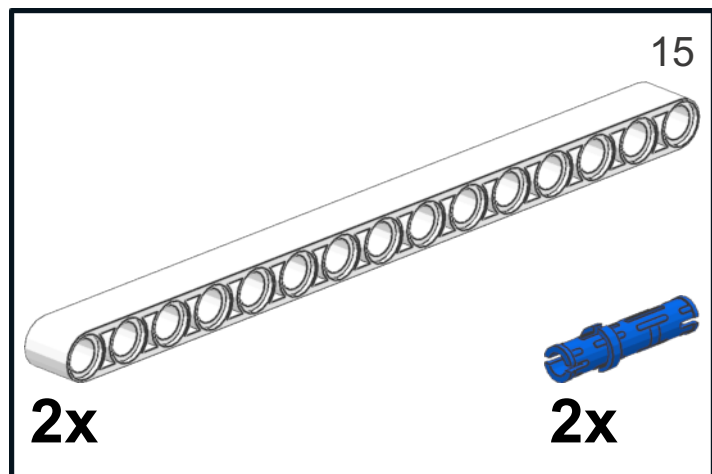
6
6x



7



8

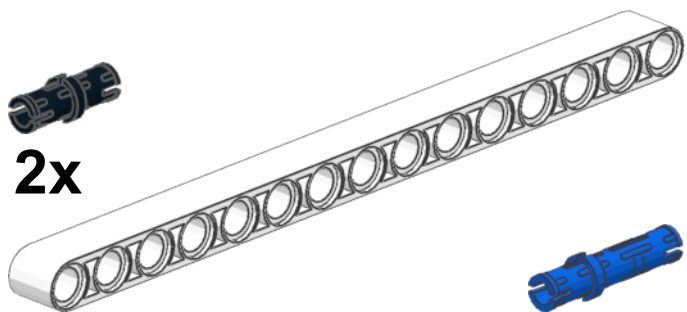


9

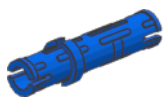
15



2x



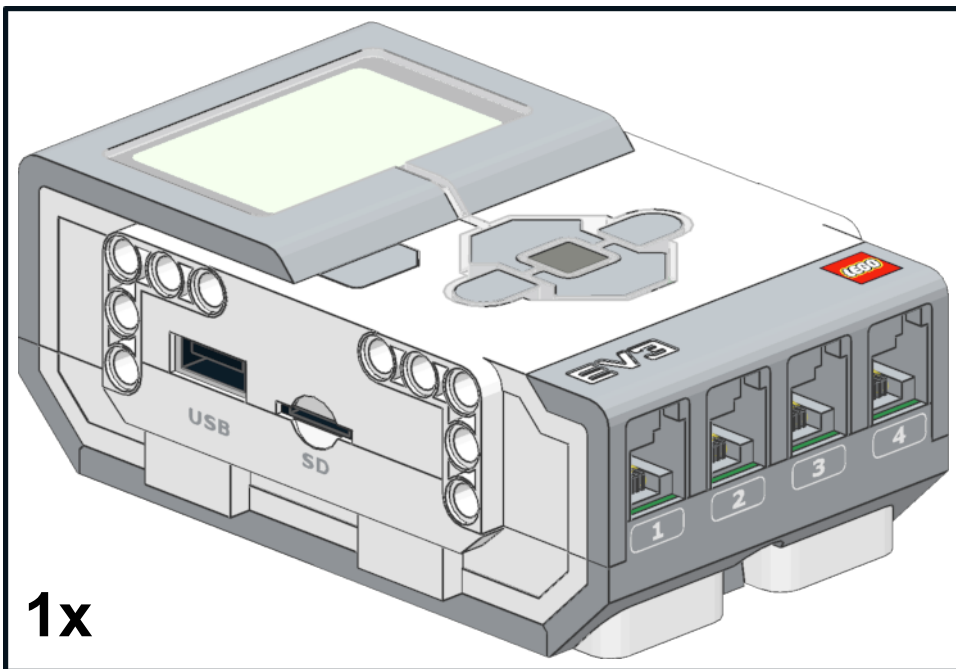
2x



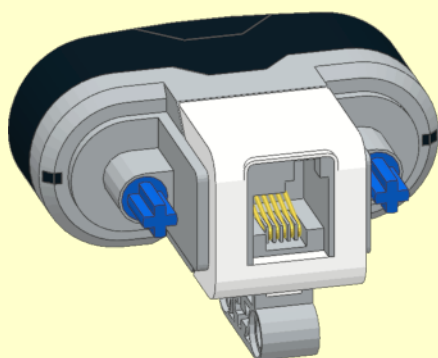
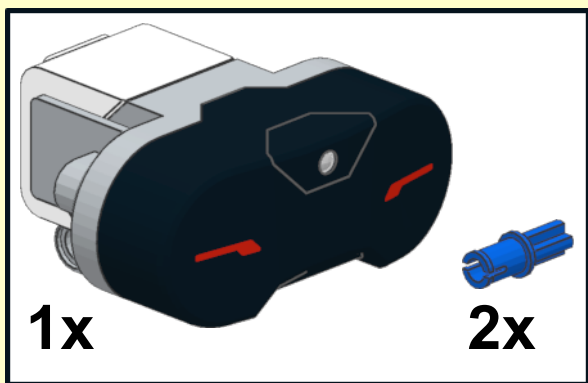
4x



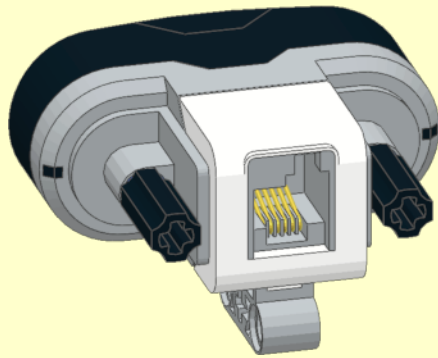
10

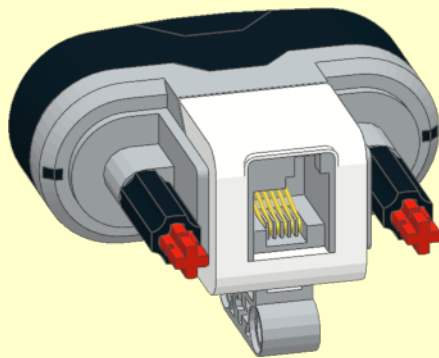
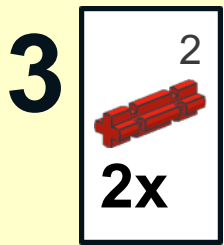


1

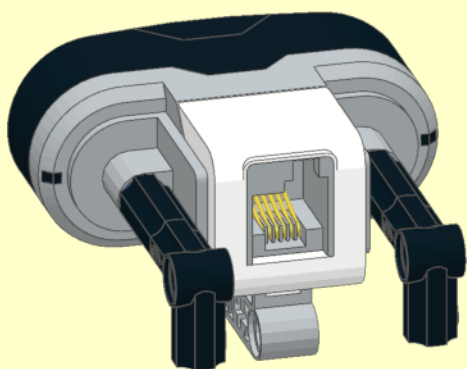
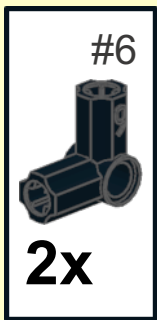


2
2x

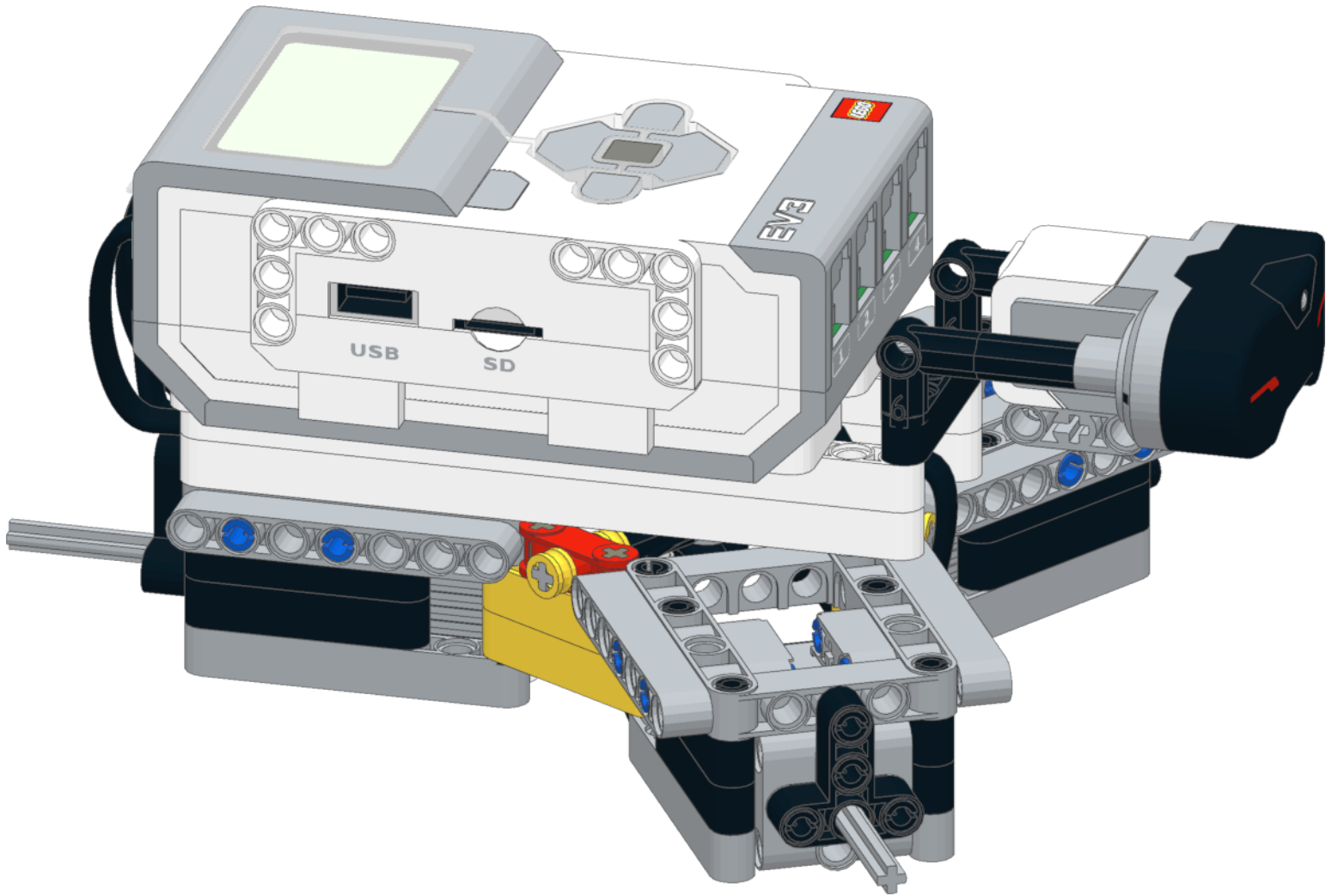
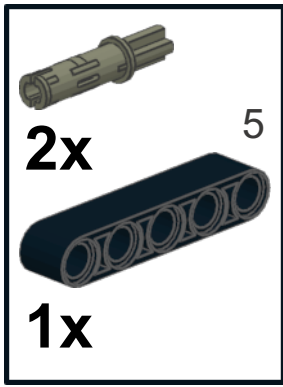




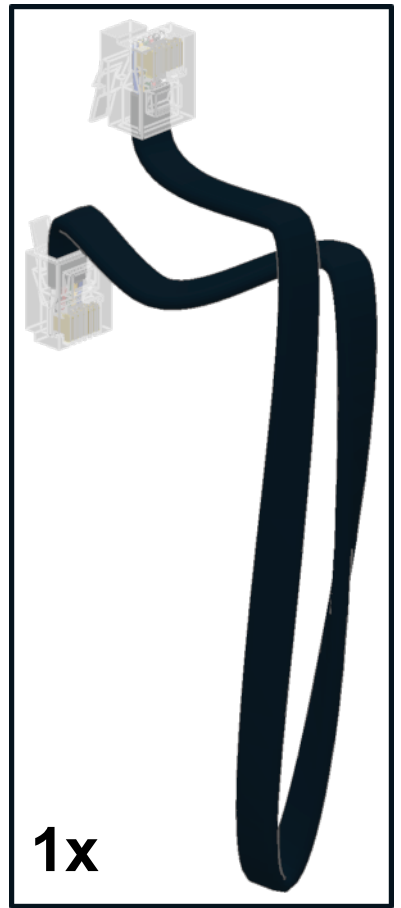
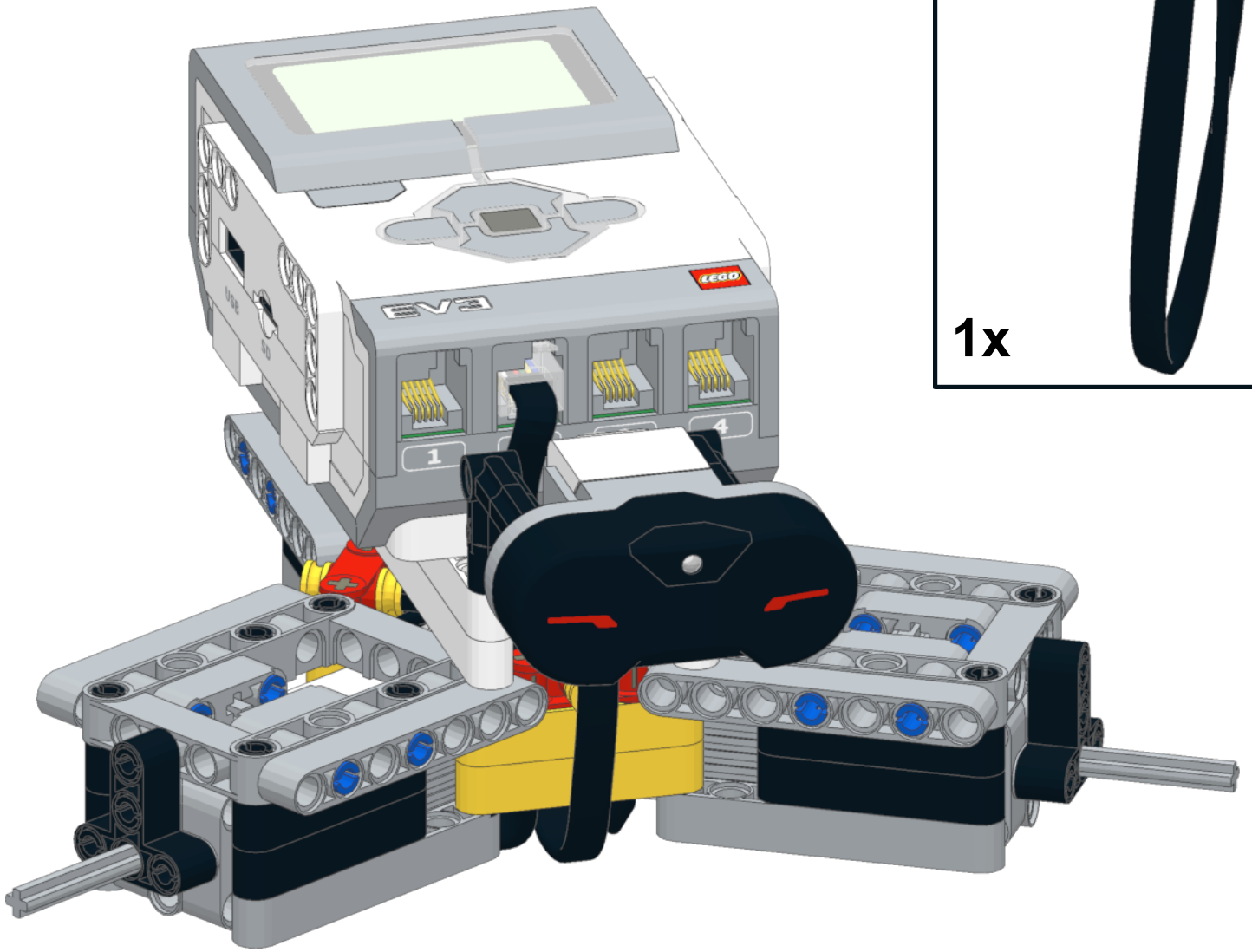
4



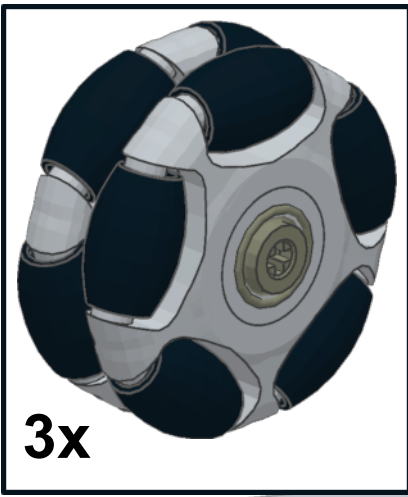
11



12



13



**Fit 3 omni wheels
48mm or 58mm or Lego only build**

