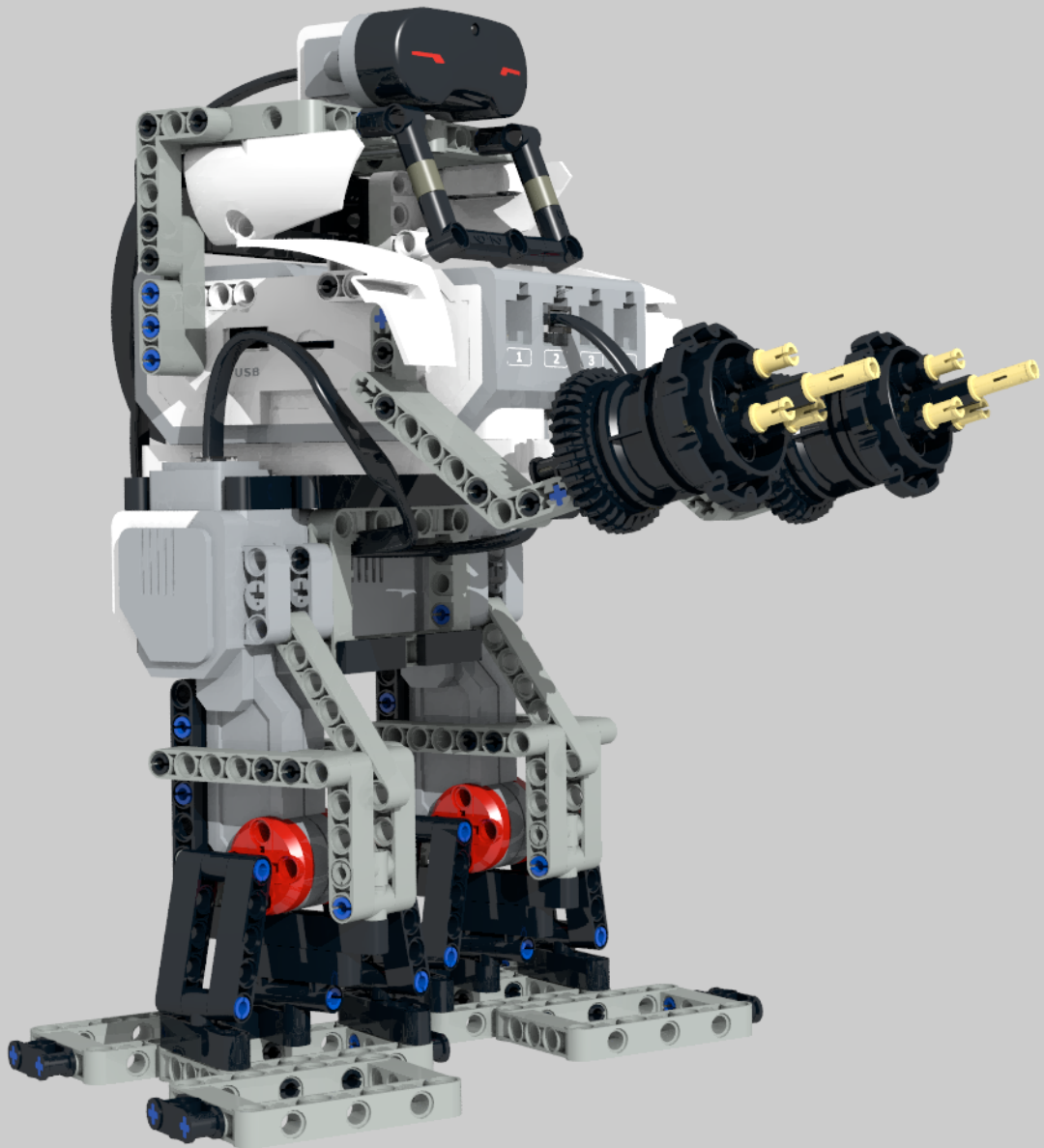


CLON3 WALK3R

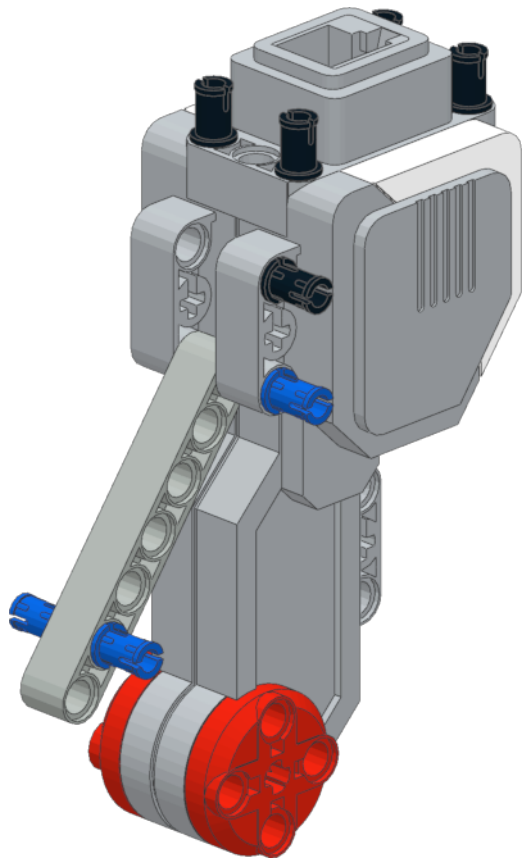
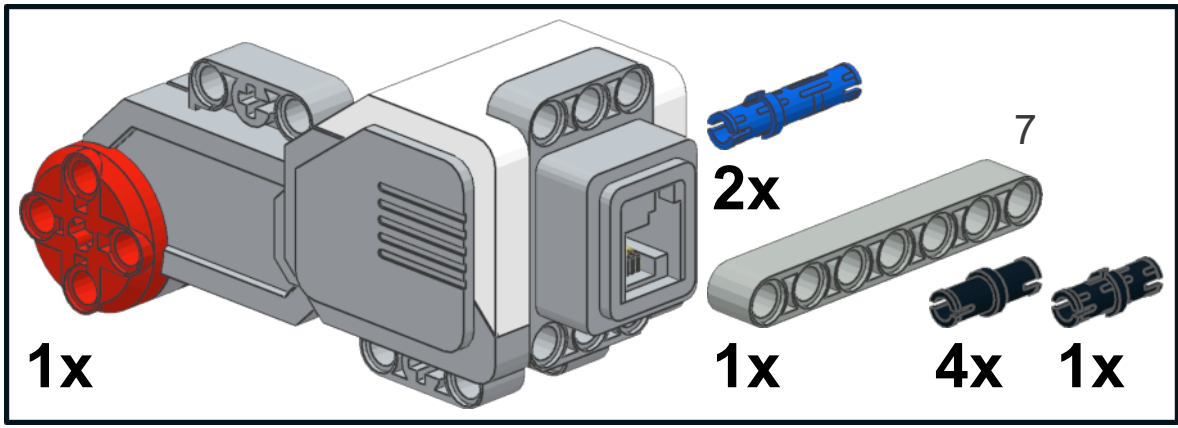
Biped walker using two large motors

by
Stu Nicholls

<http://www.stunicholls.com>

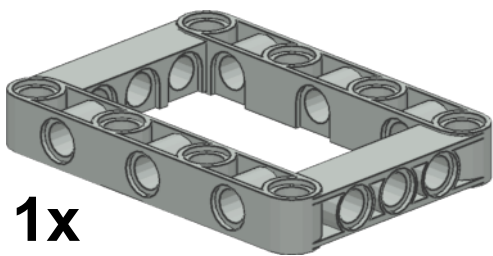


1

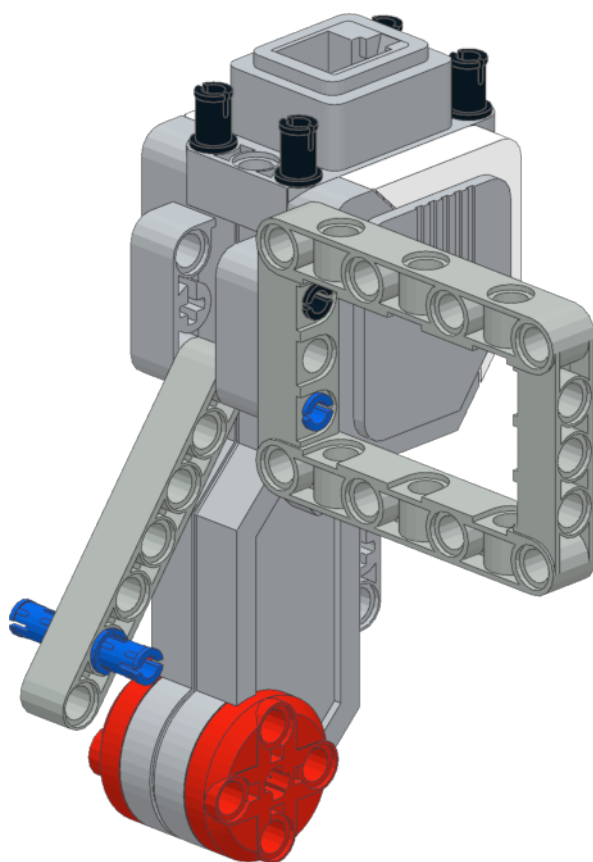


2



7x5

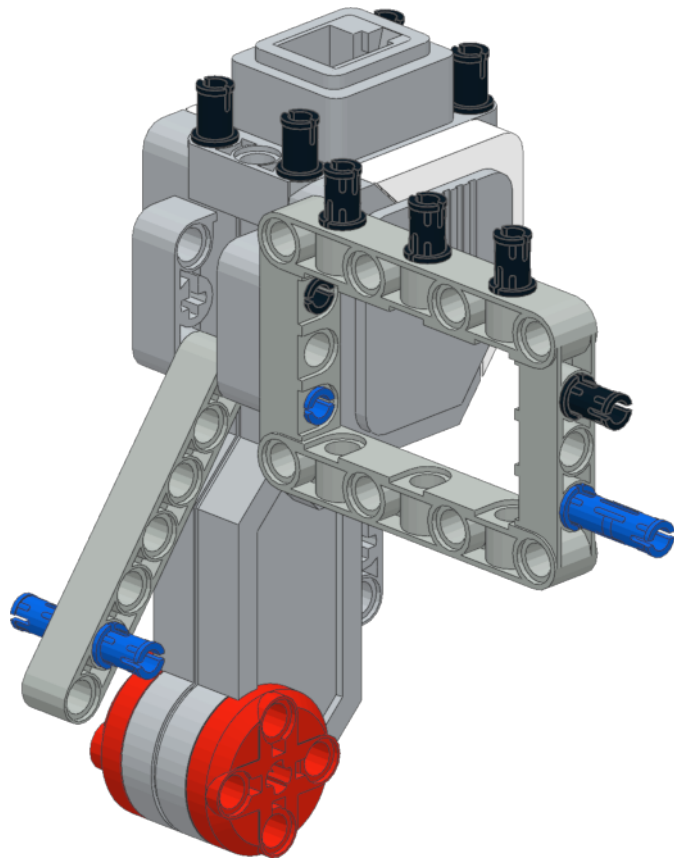


1x

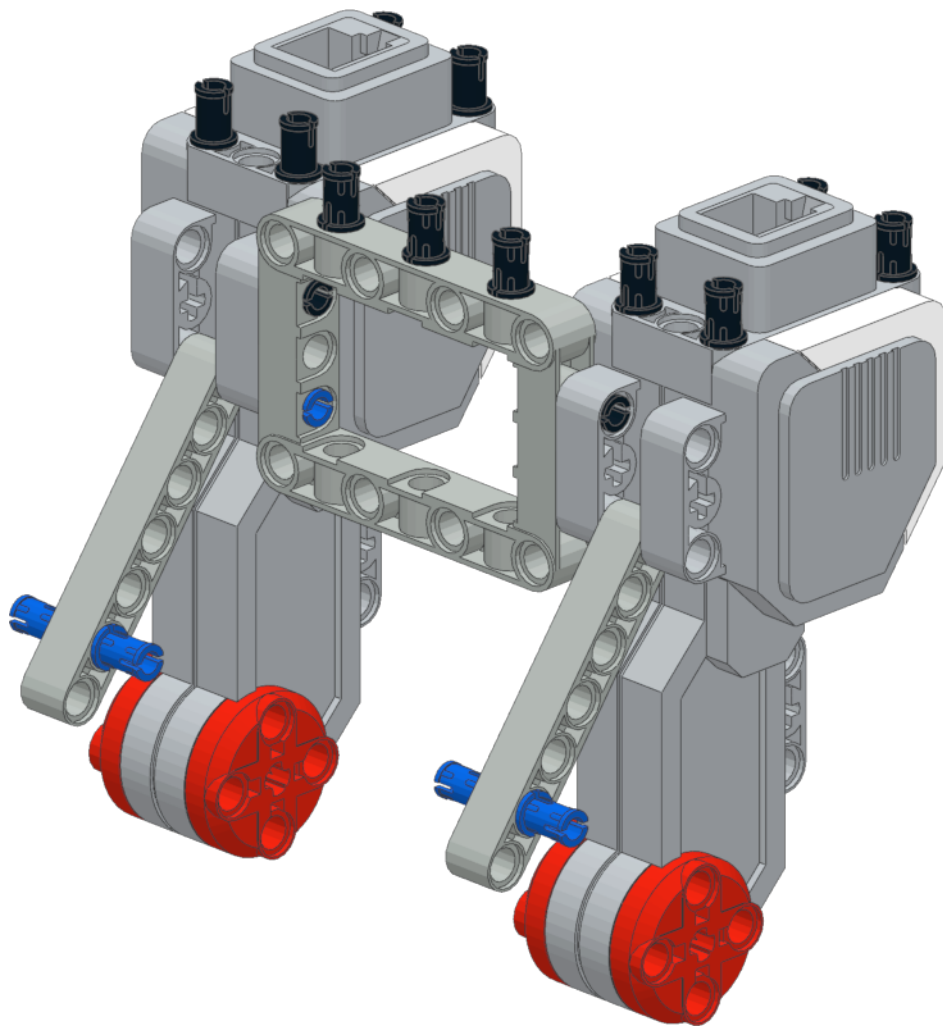
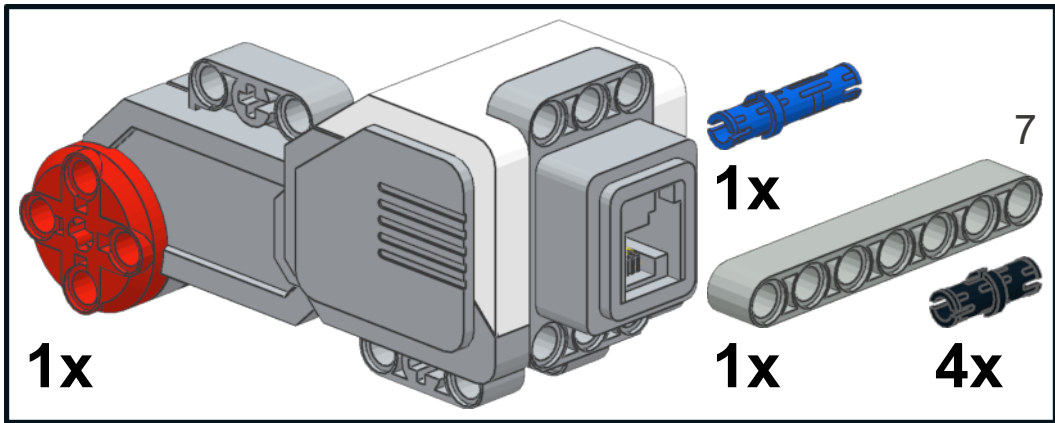


3

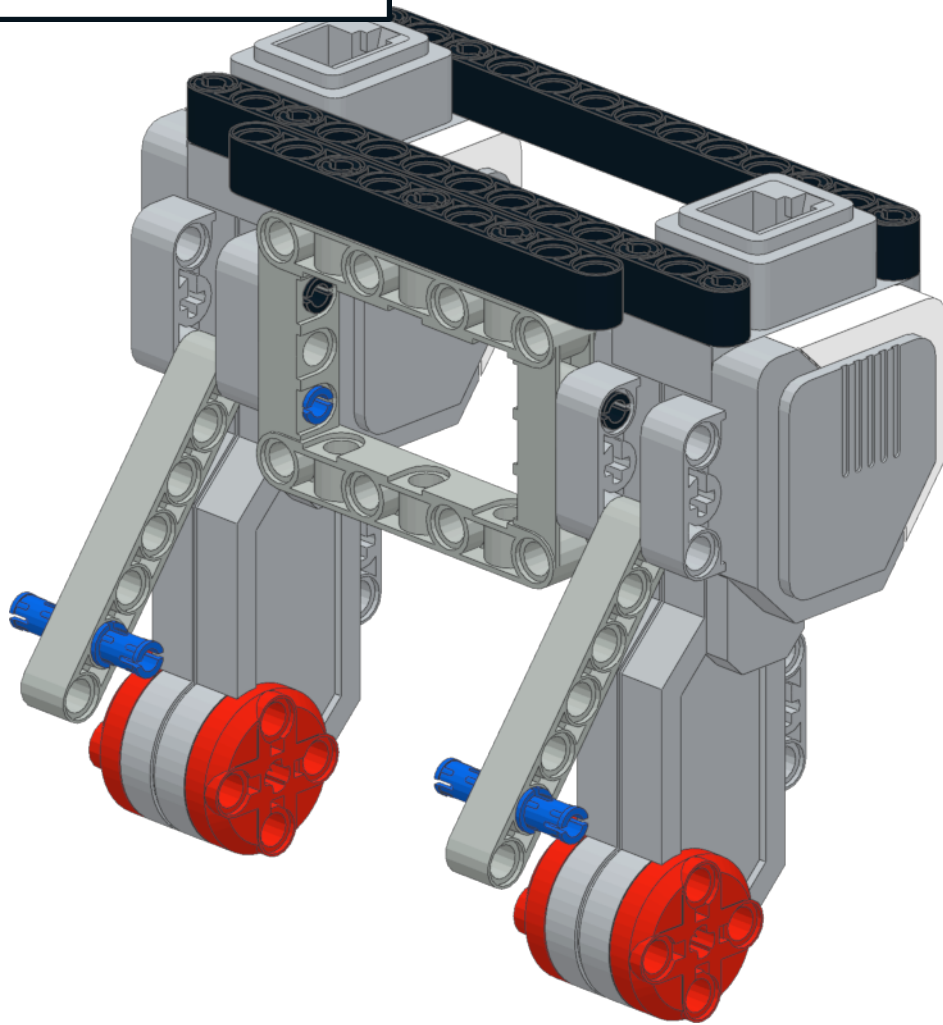
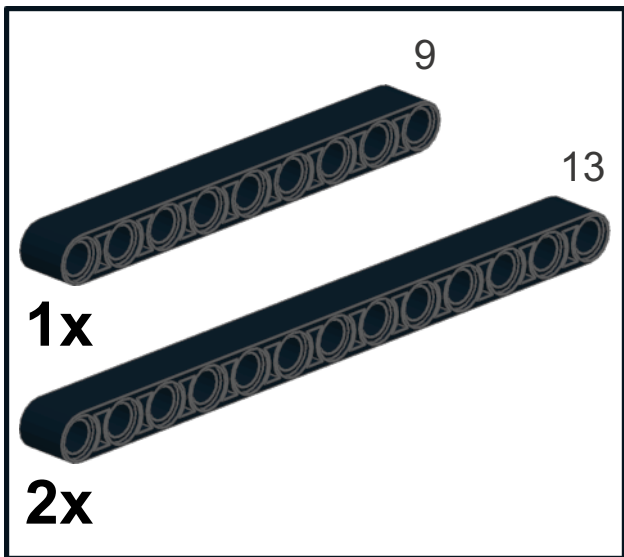
| | |
|---|---|
|  |  |
| 1x | 4x |



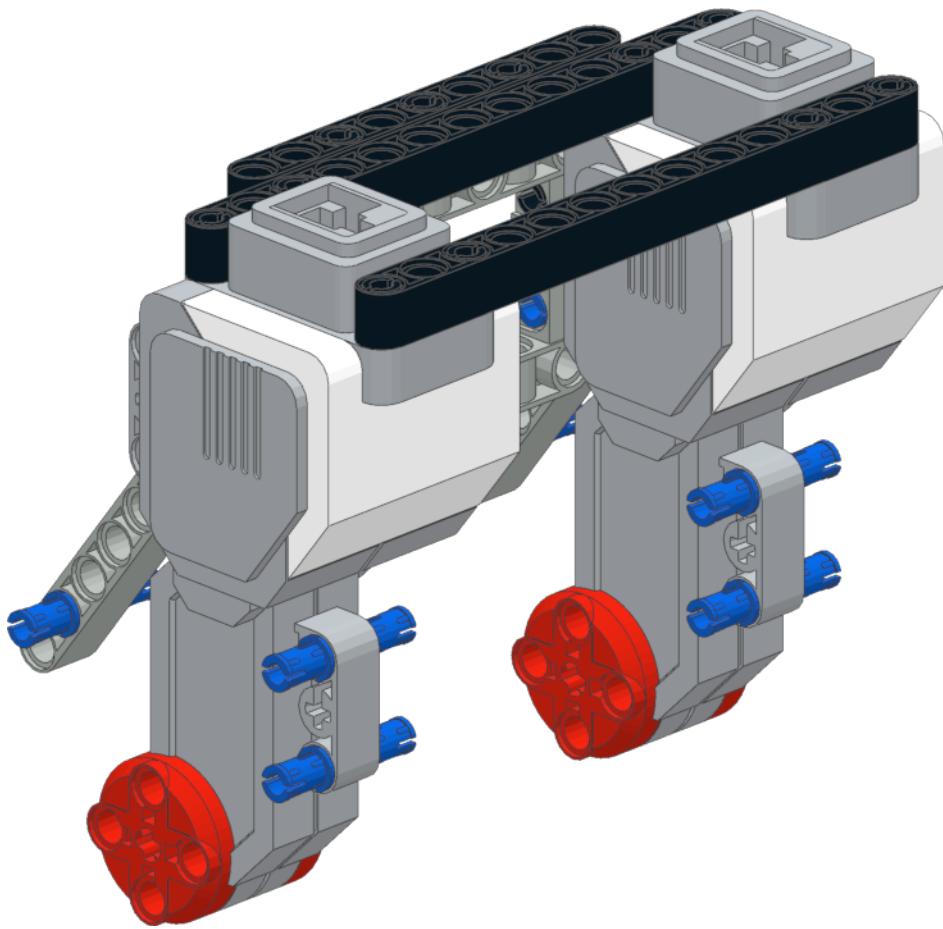
4



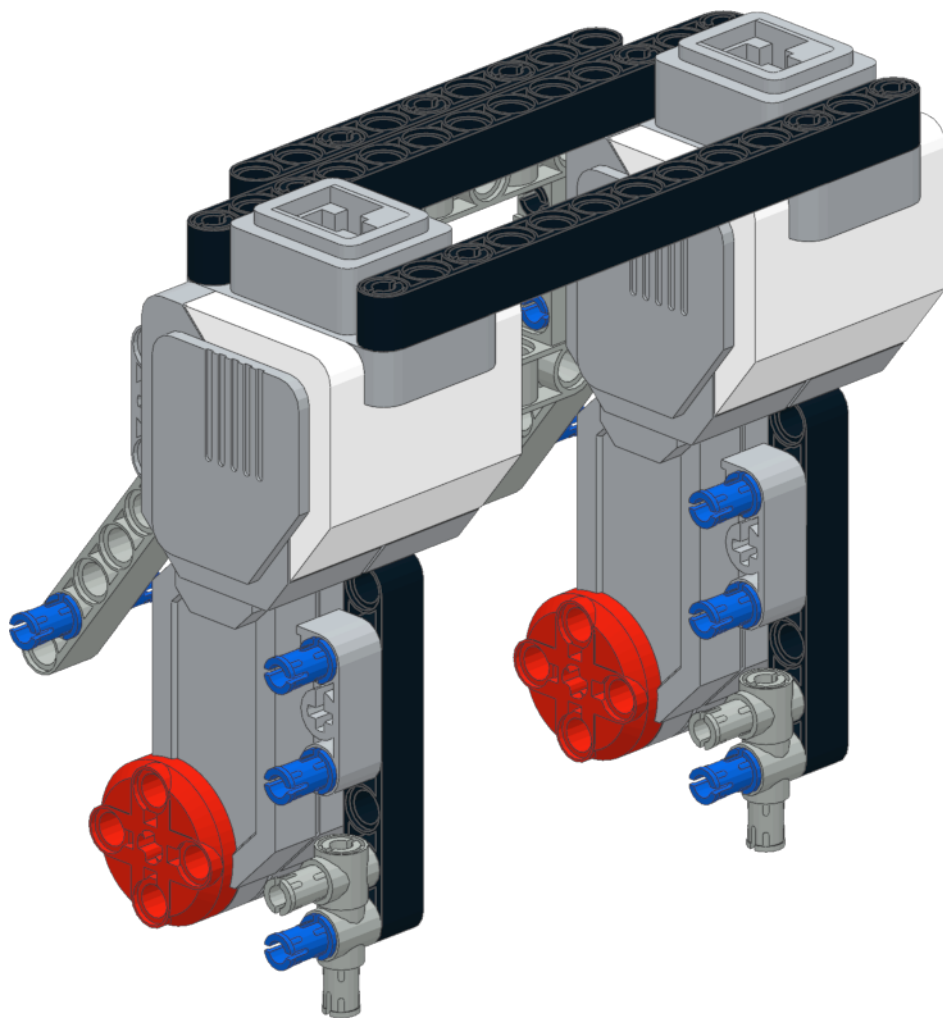
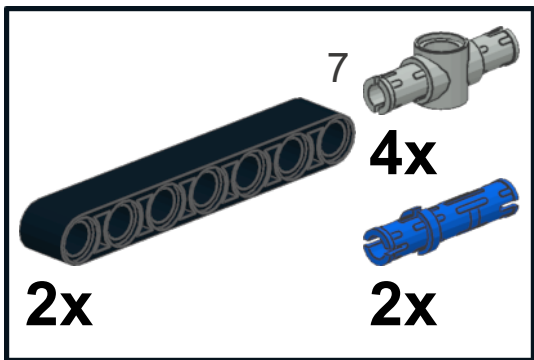
5



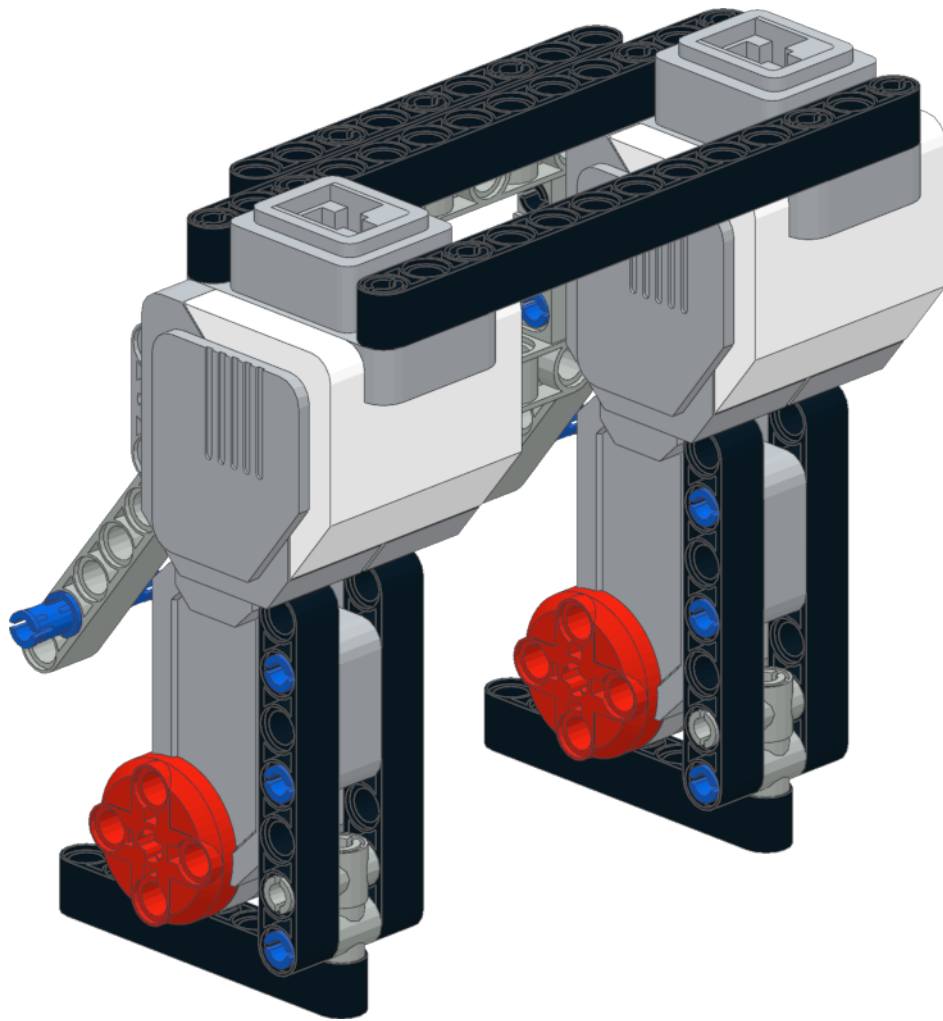
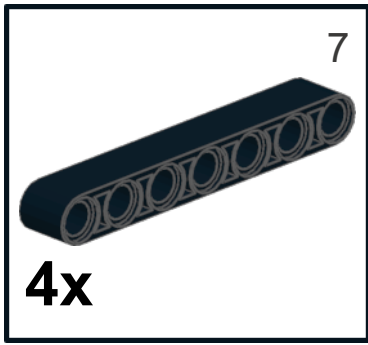
6
4x



7



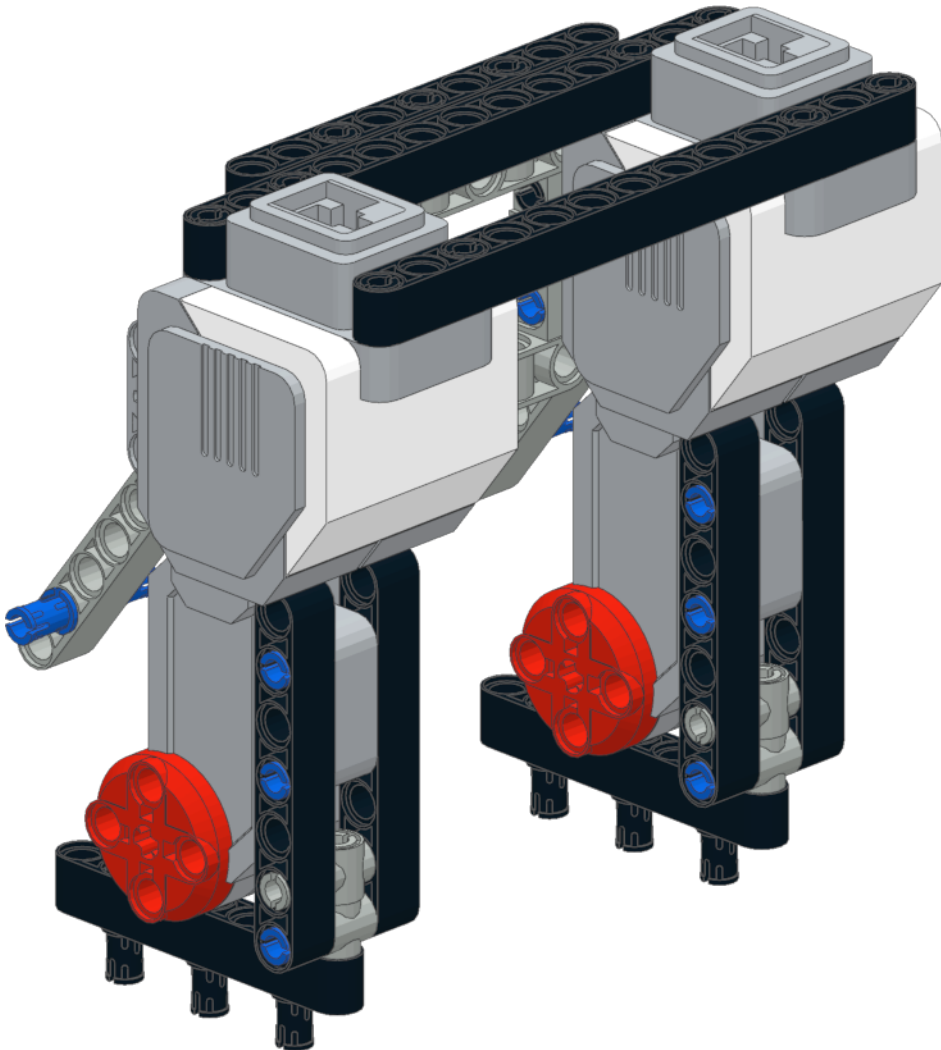
8



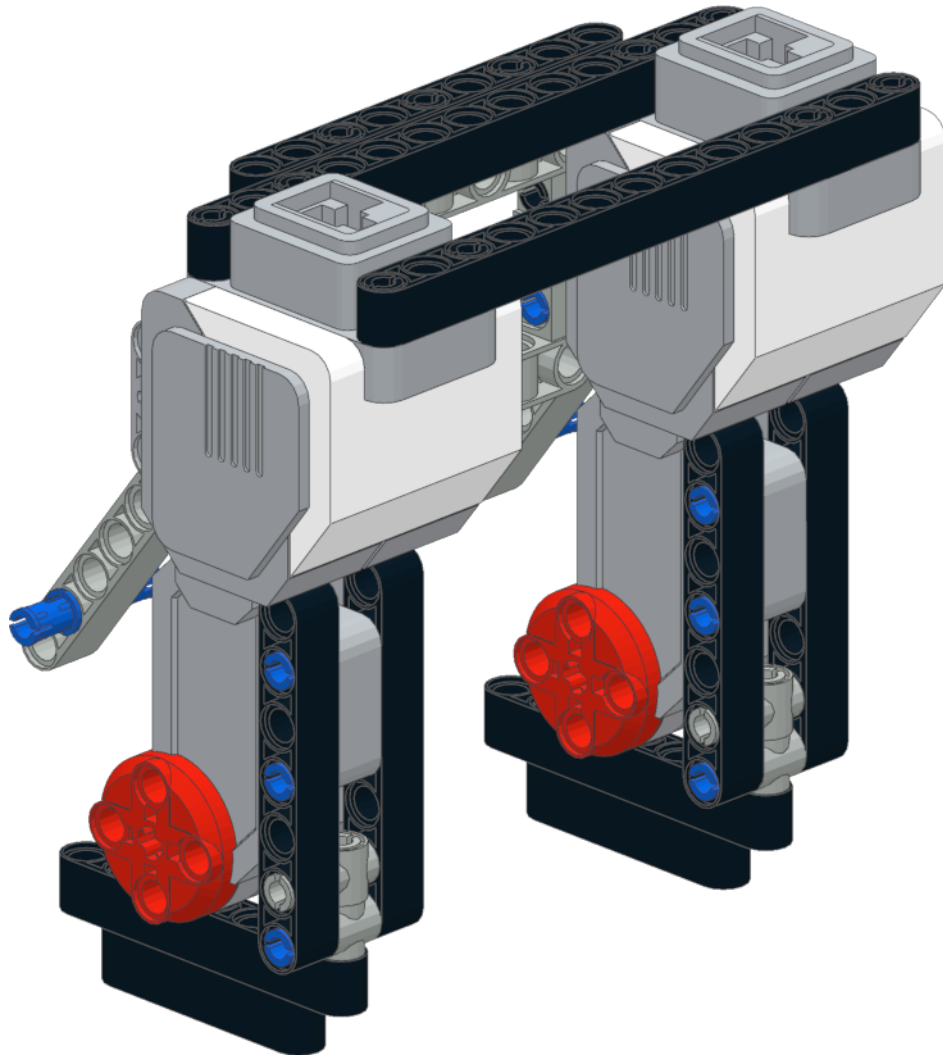
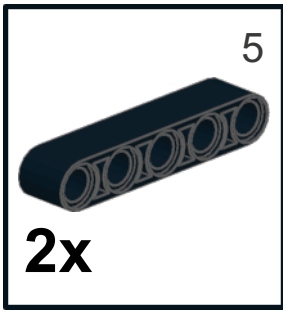
9



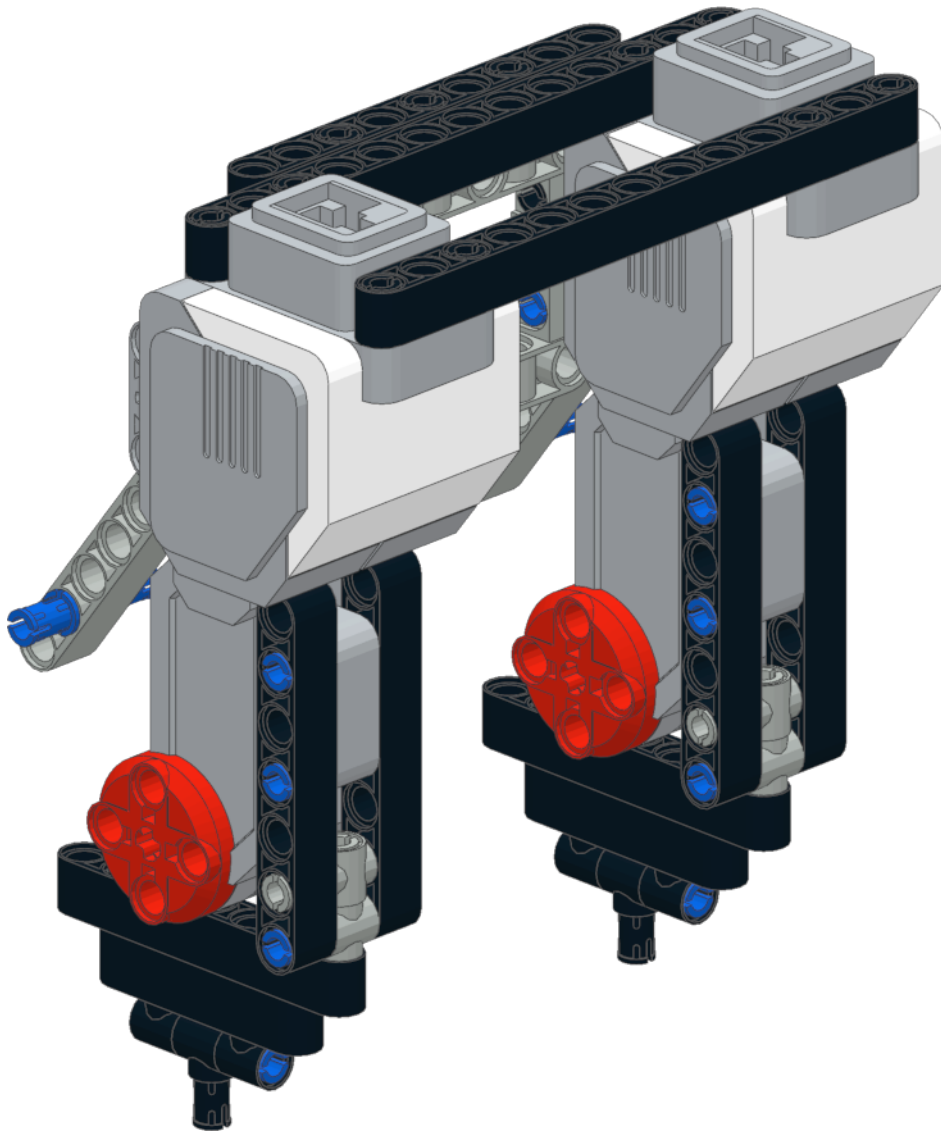
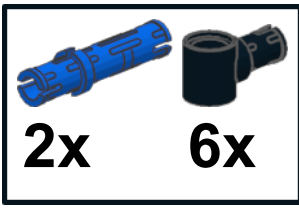
6x



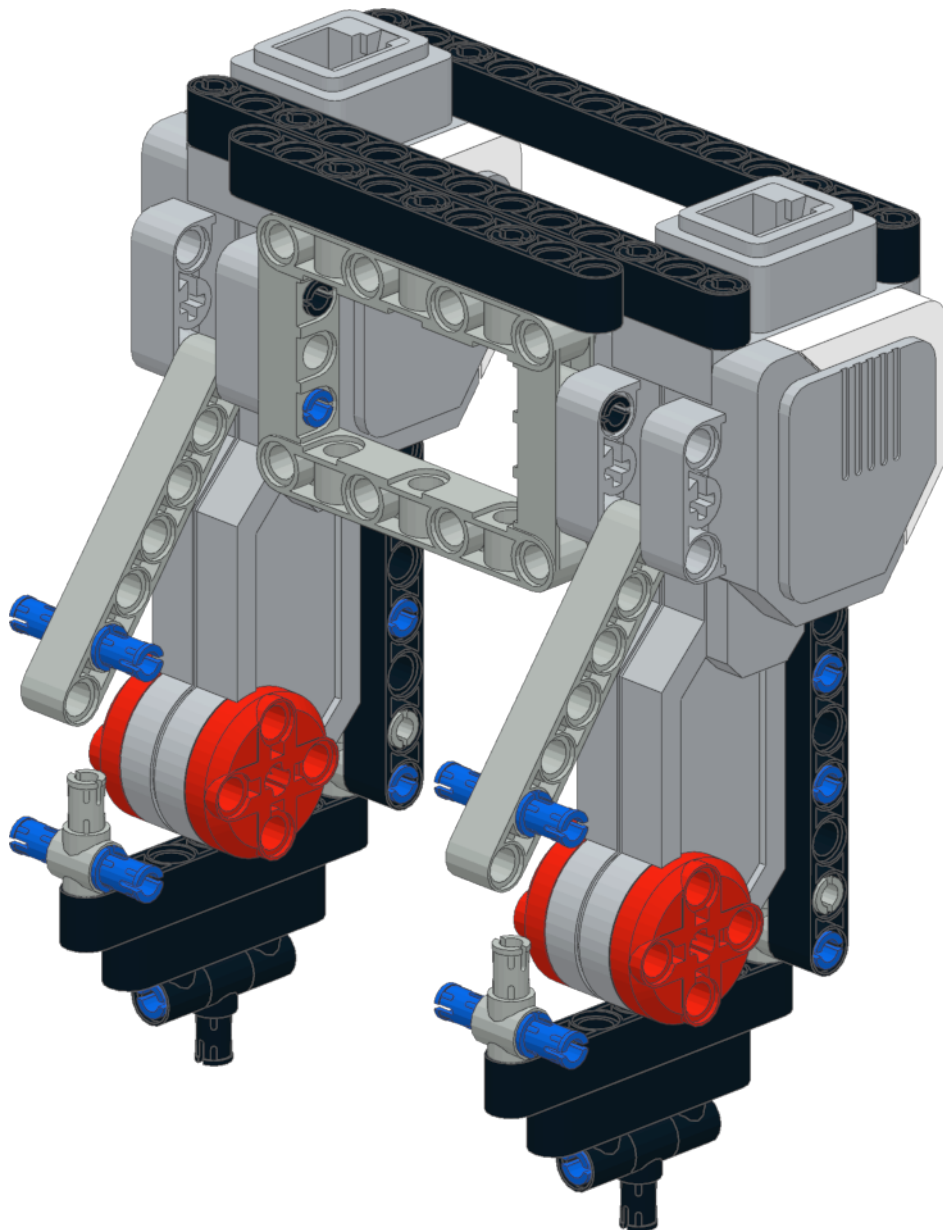
10



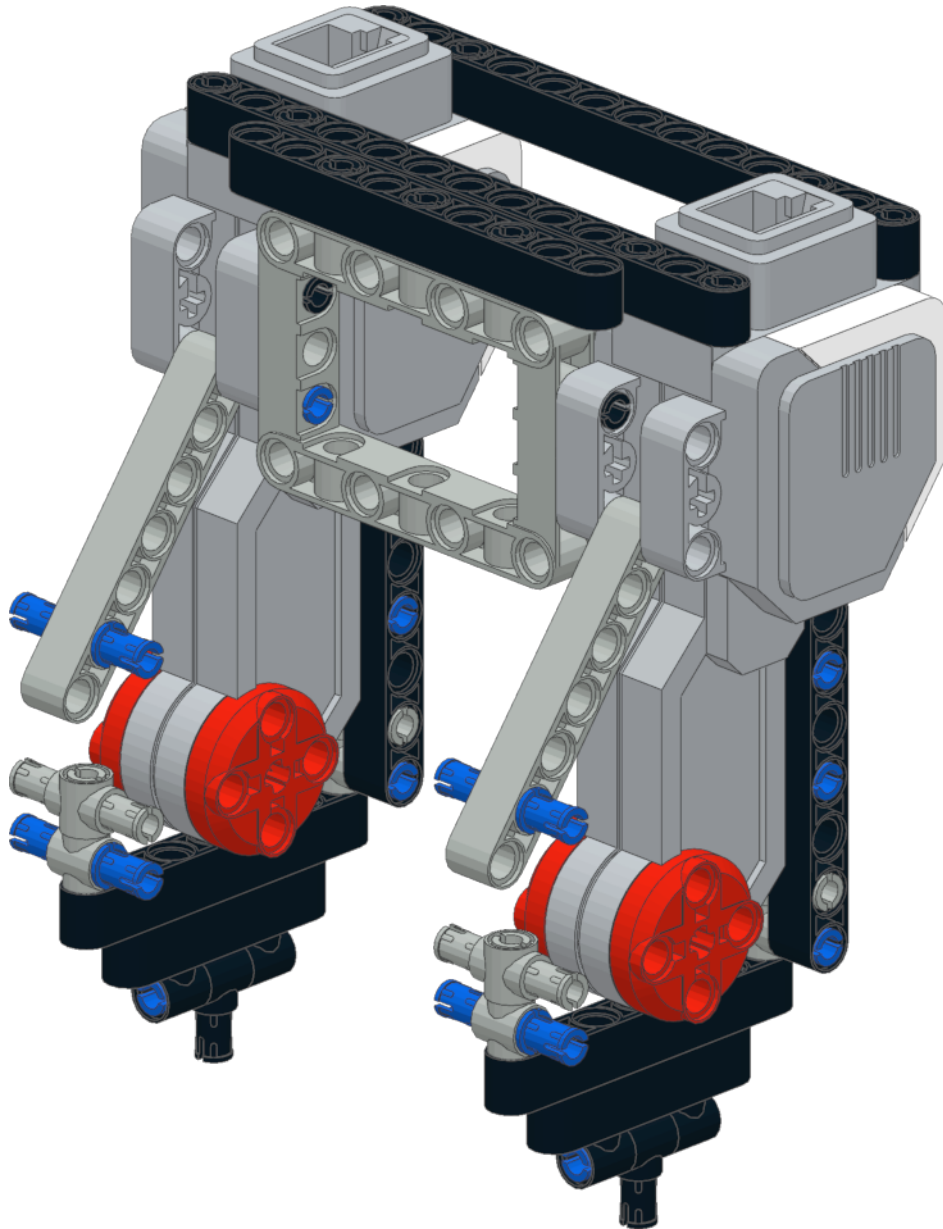
11



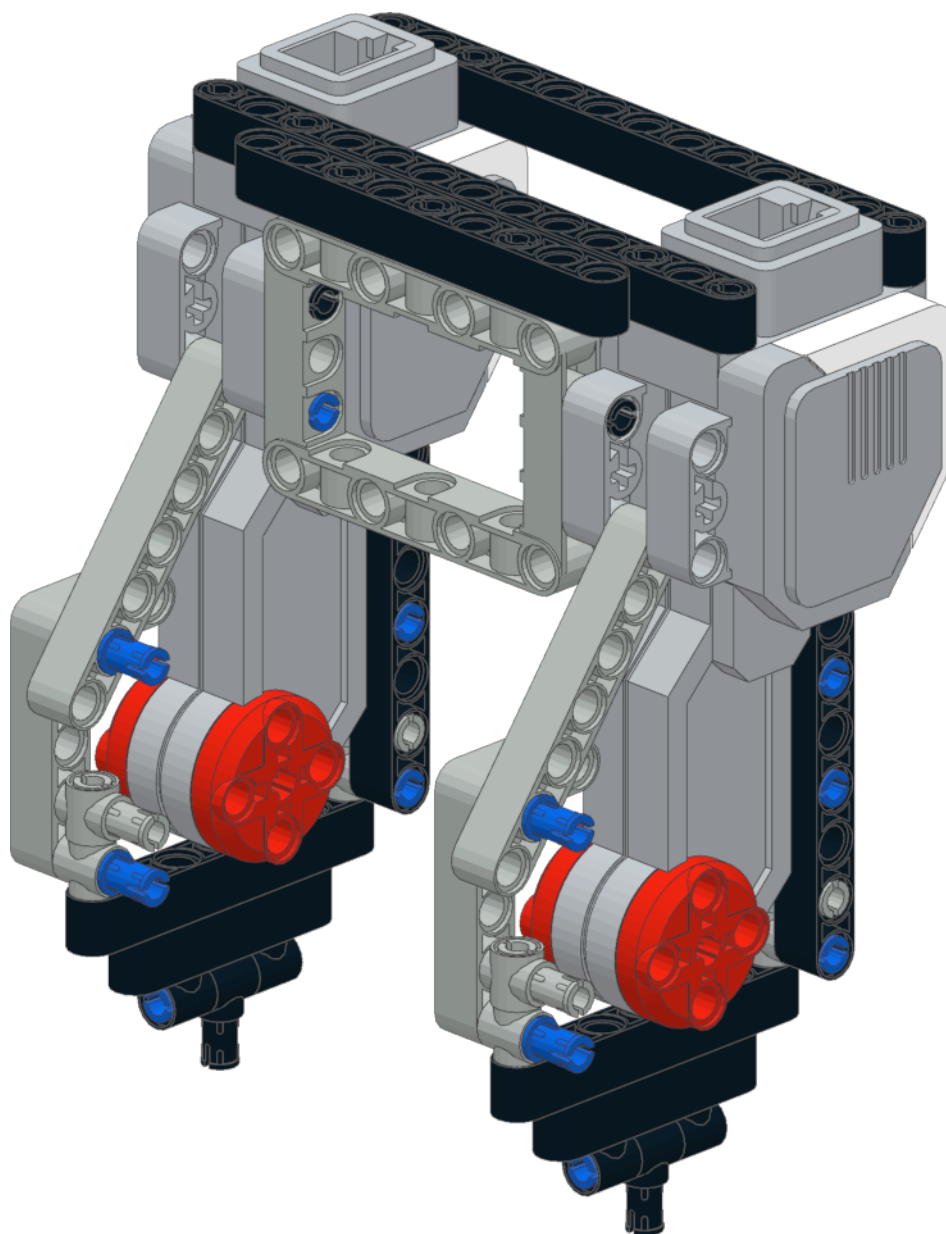
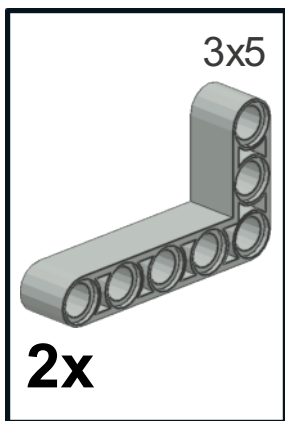
12



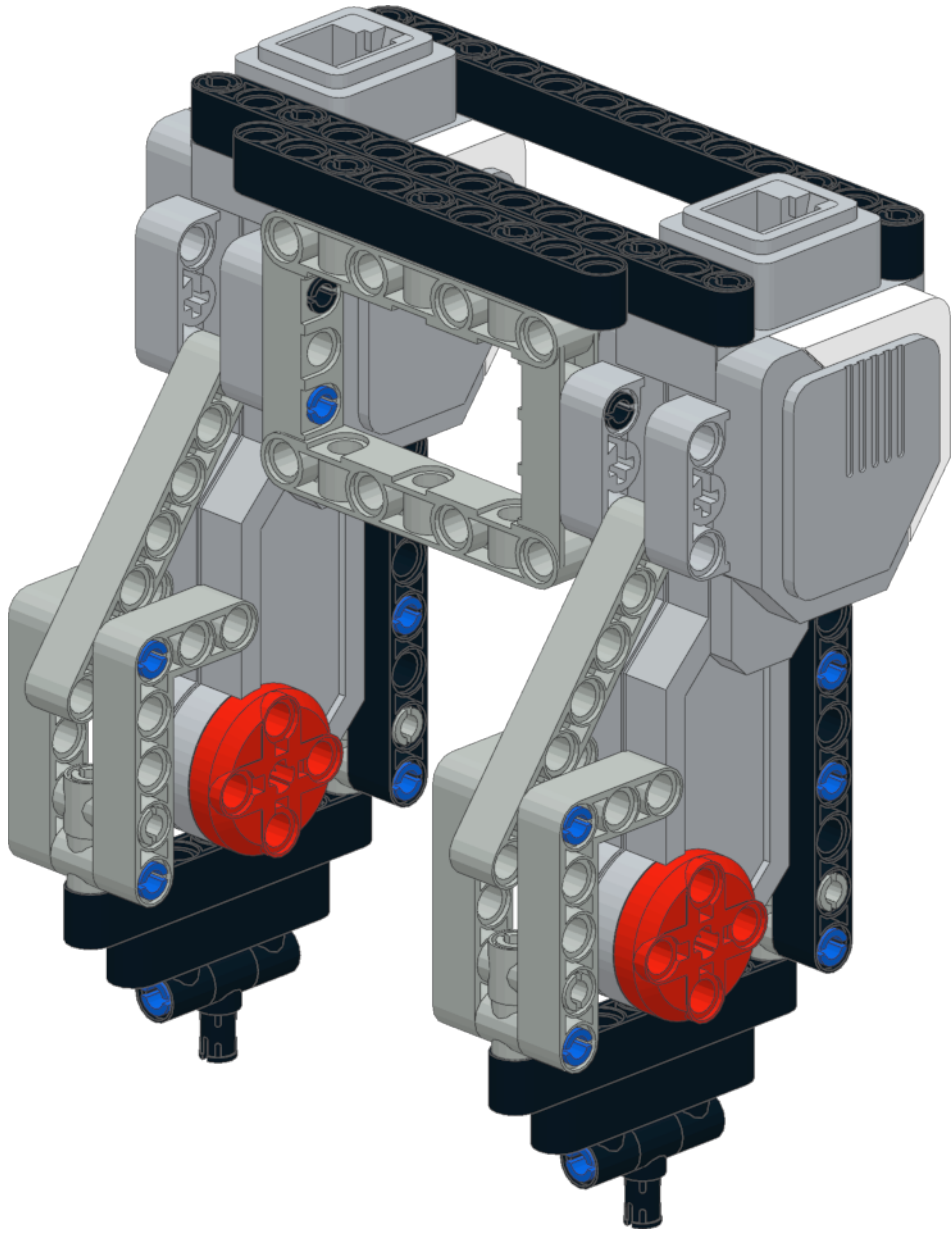
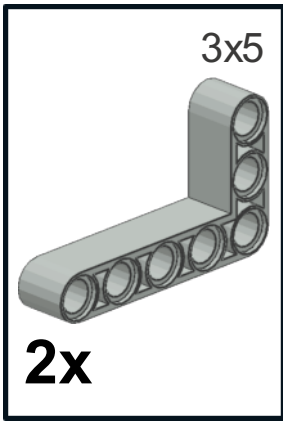
13



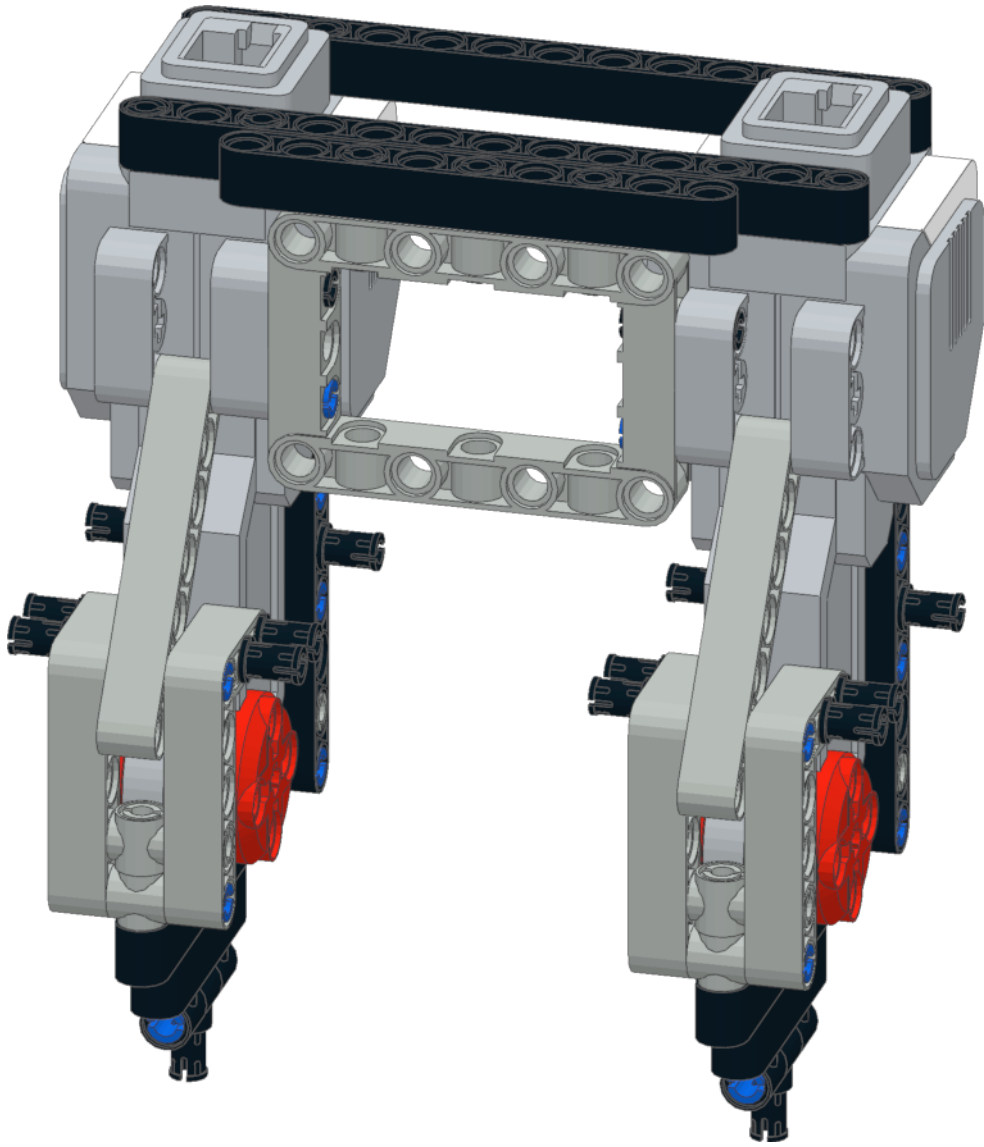
14



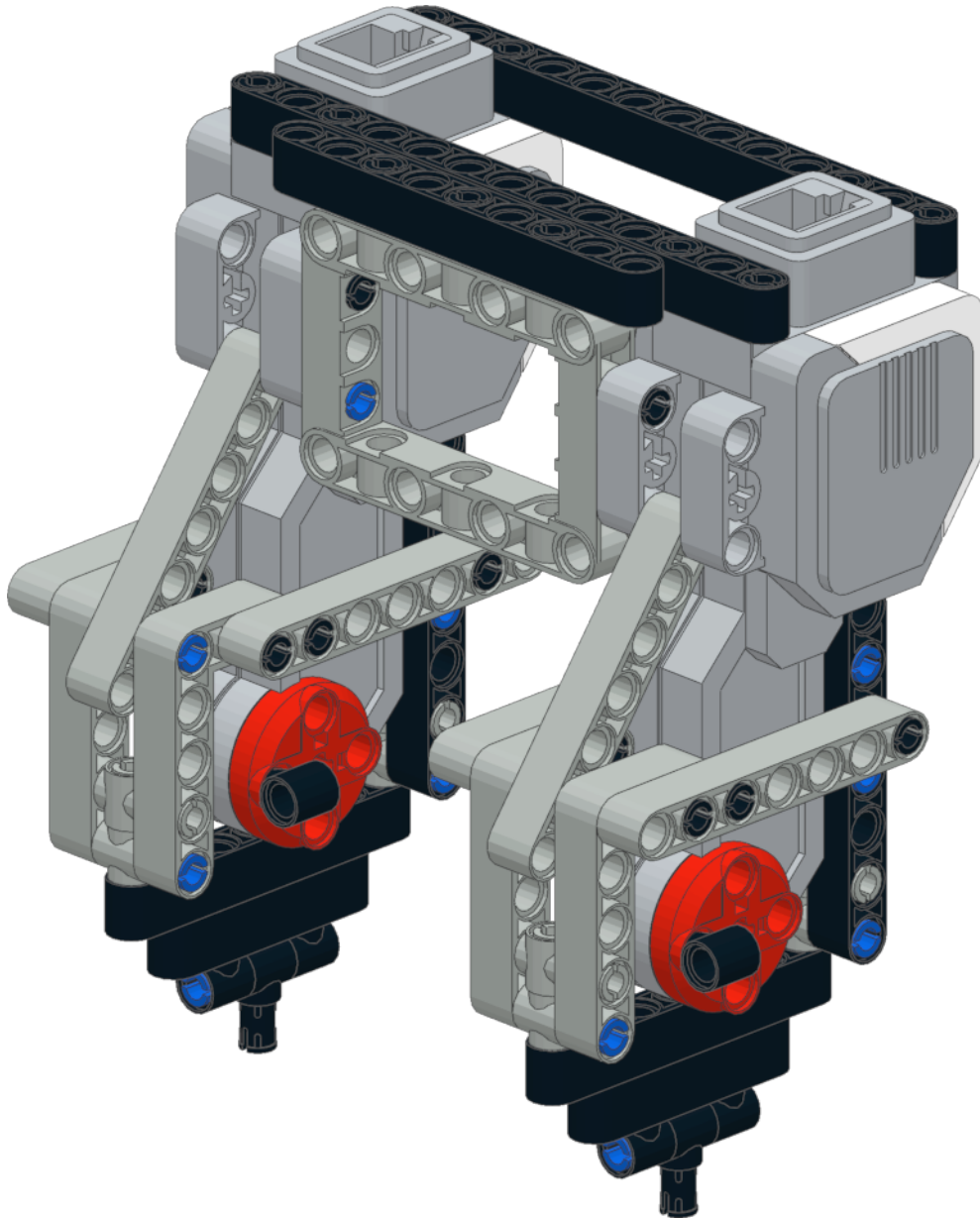
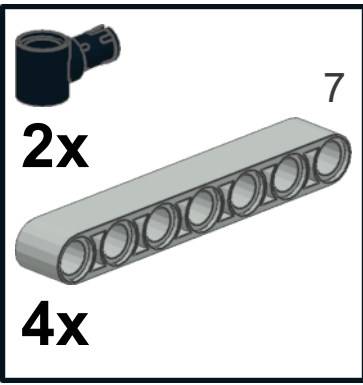
15



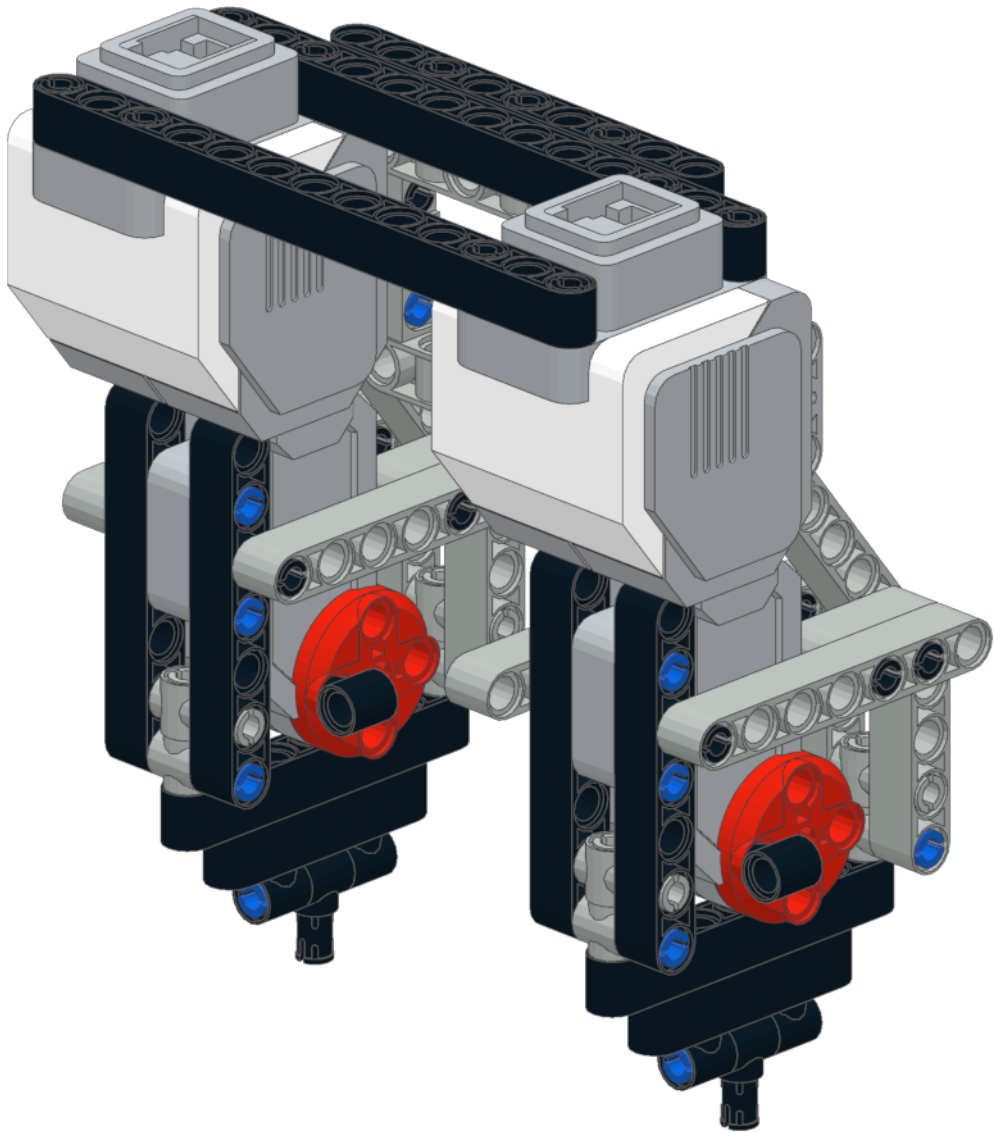
16



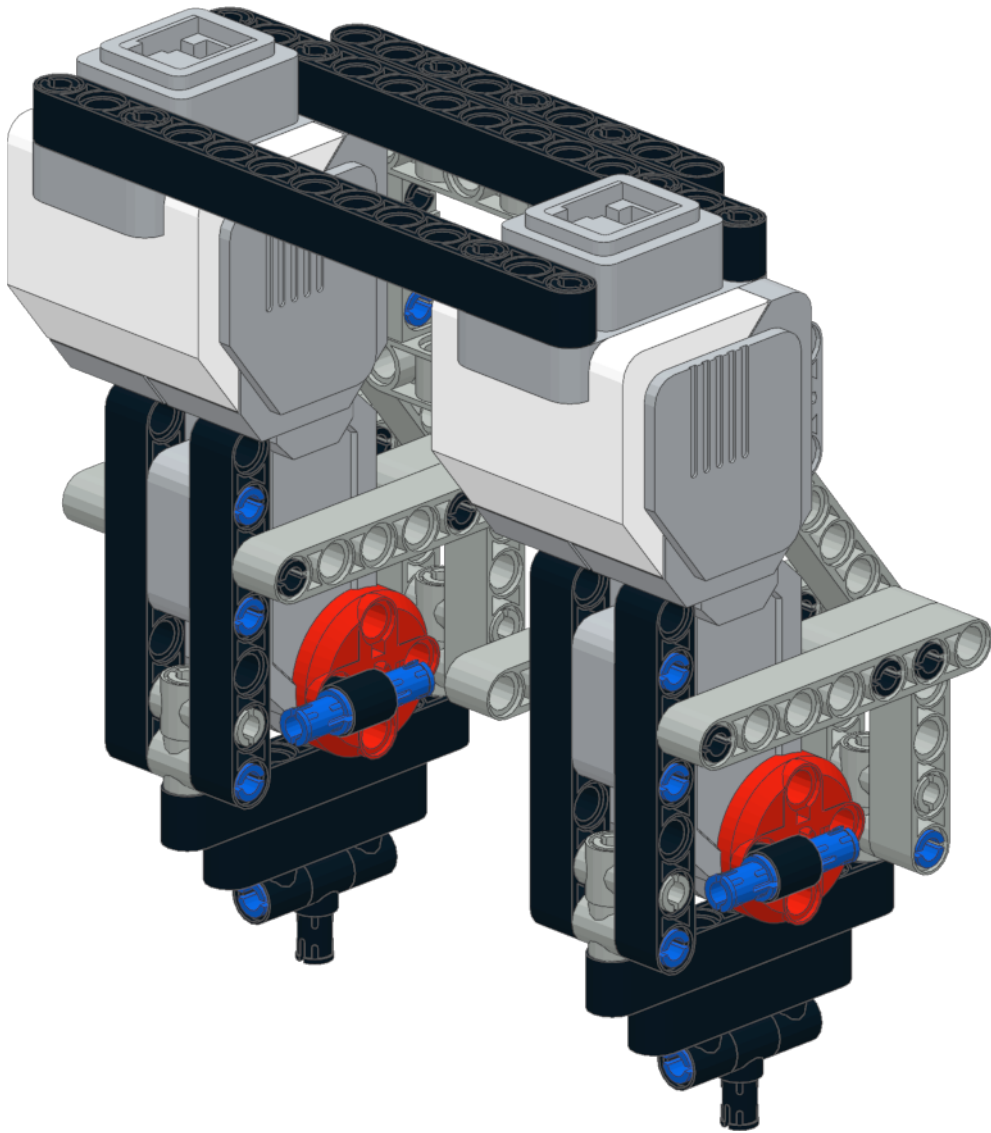
17



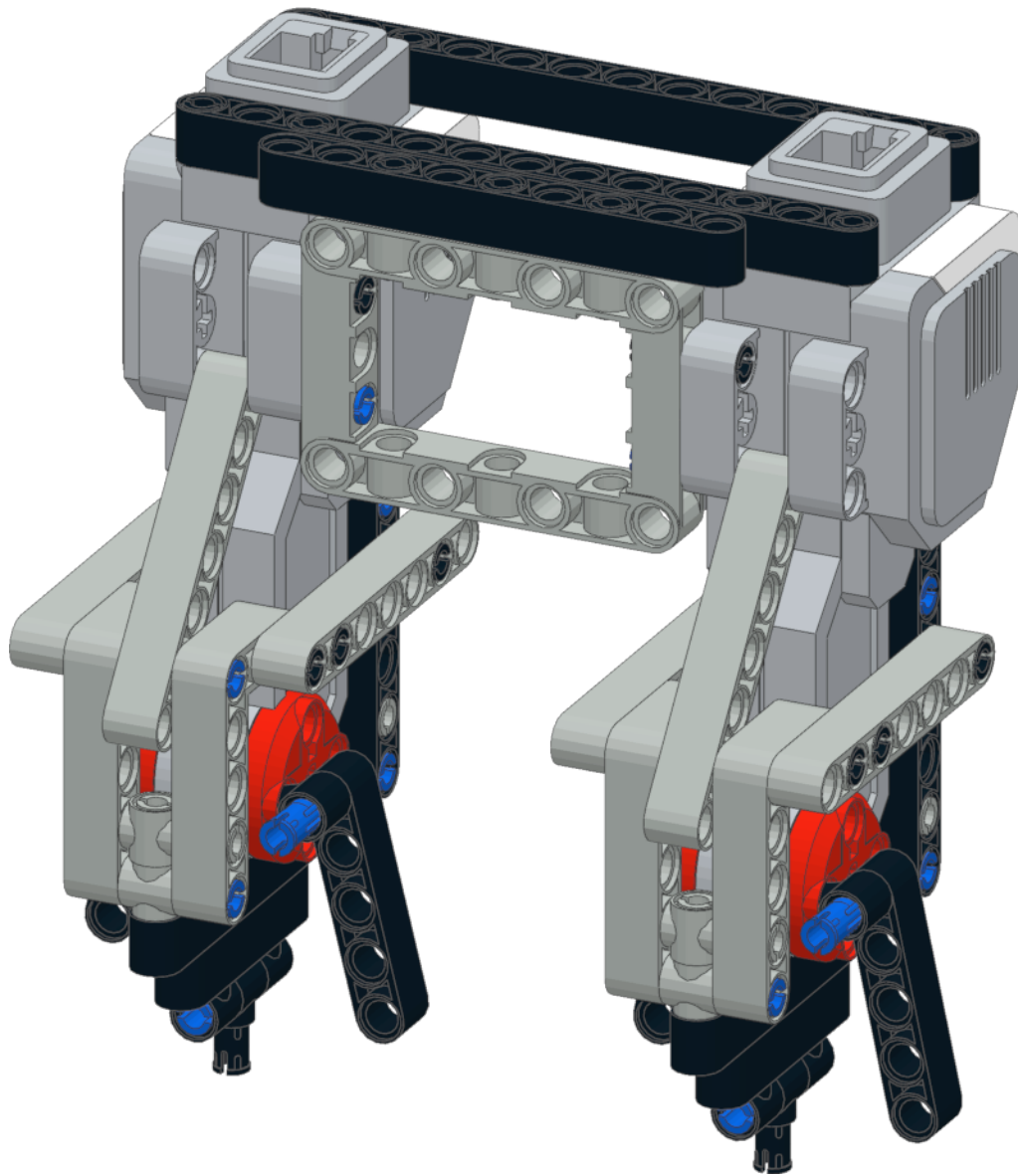
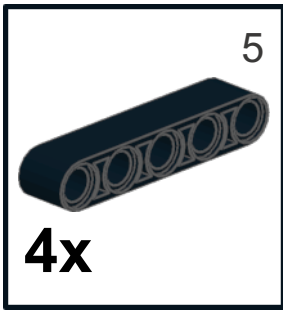
18



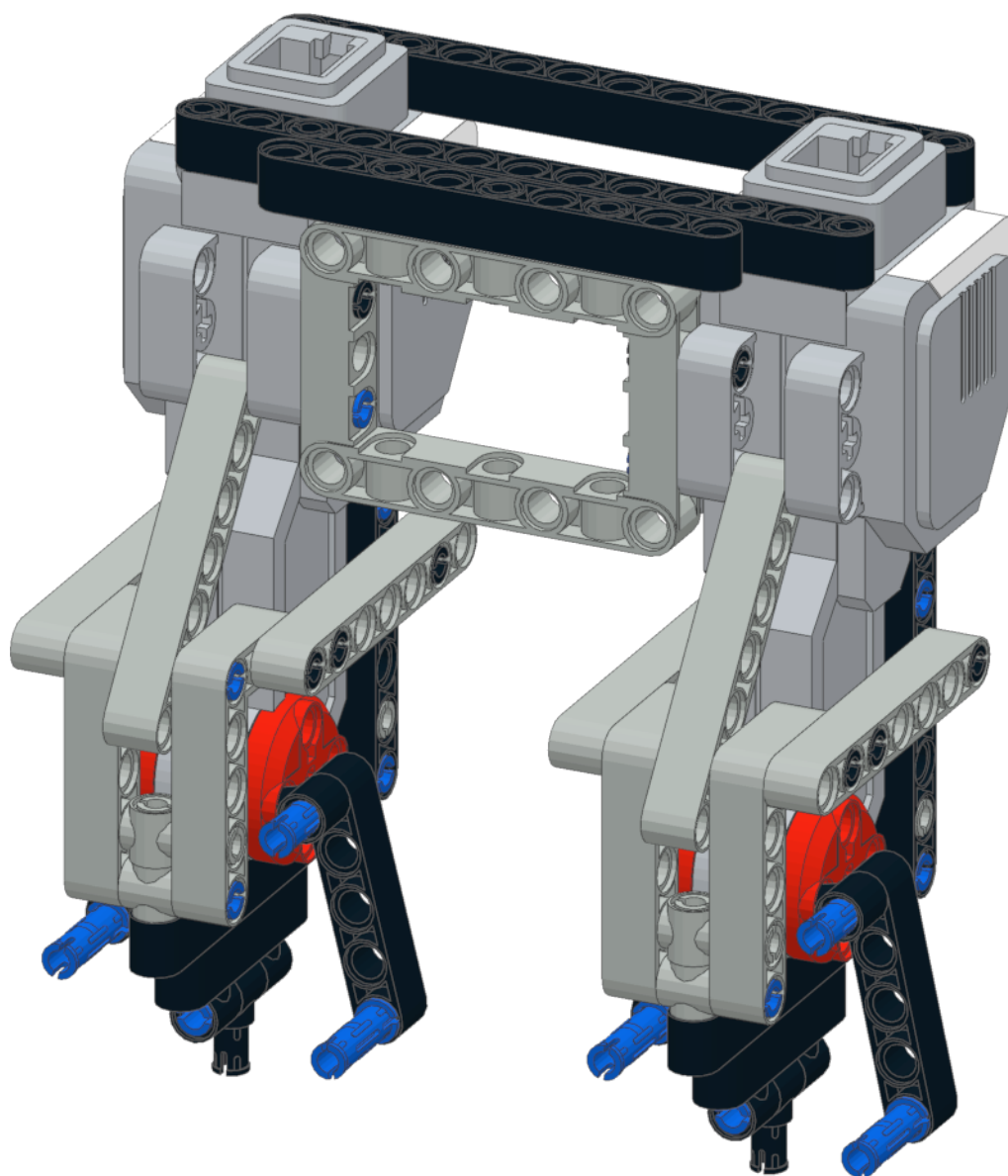
19

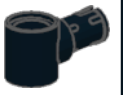


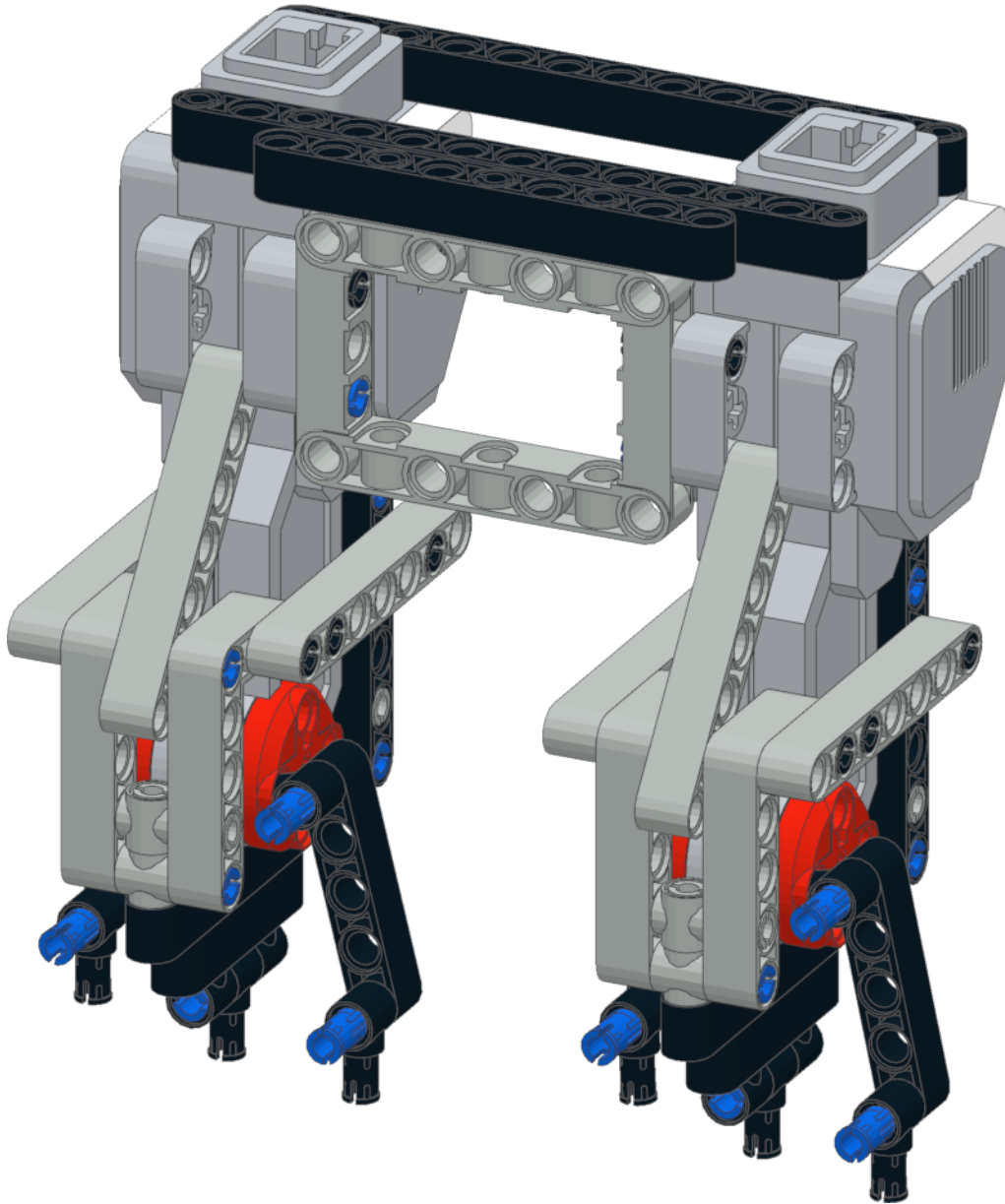
20



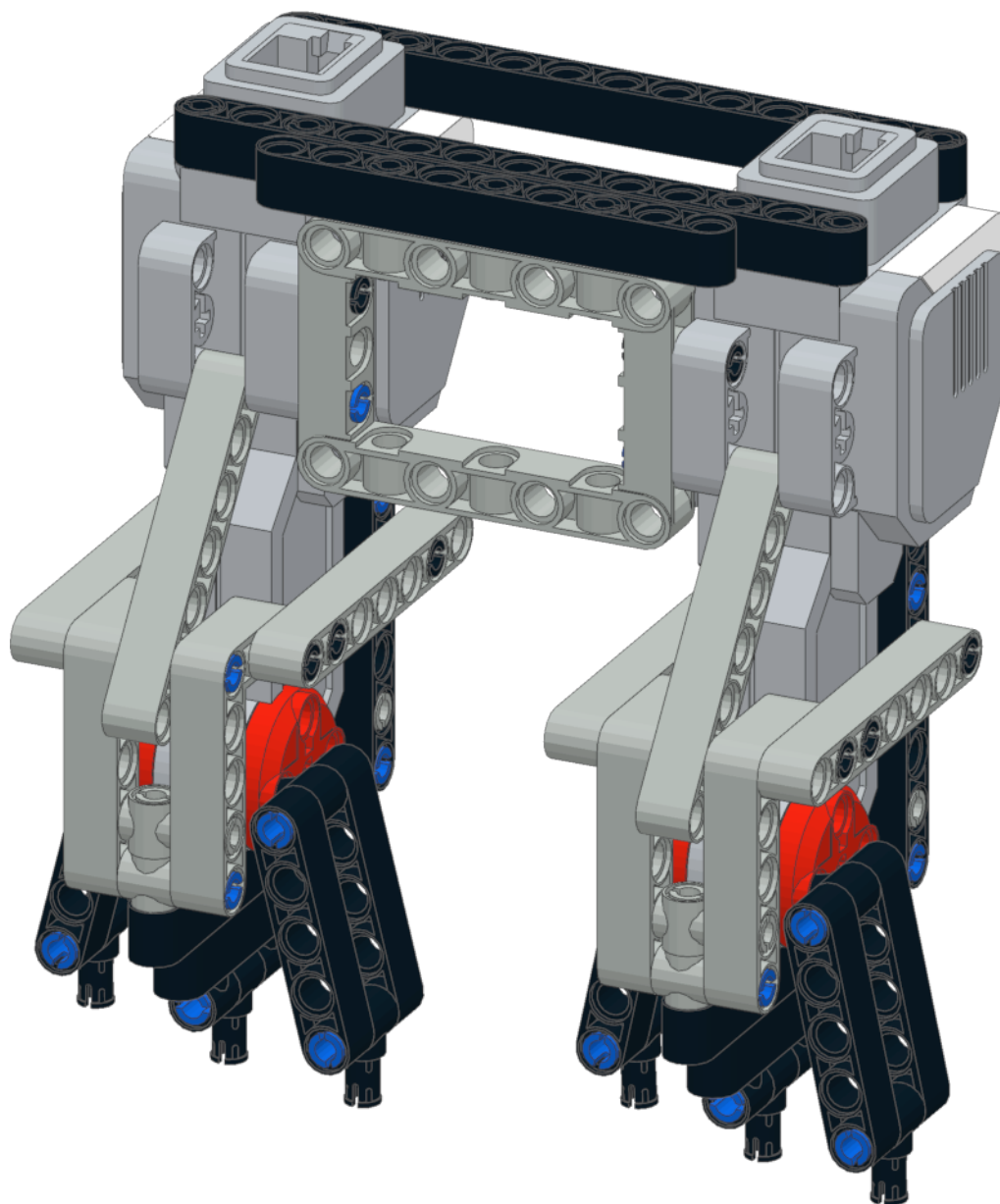
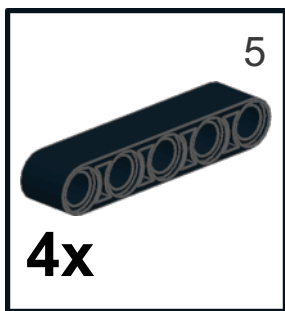
21



22 
4x



23



24



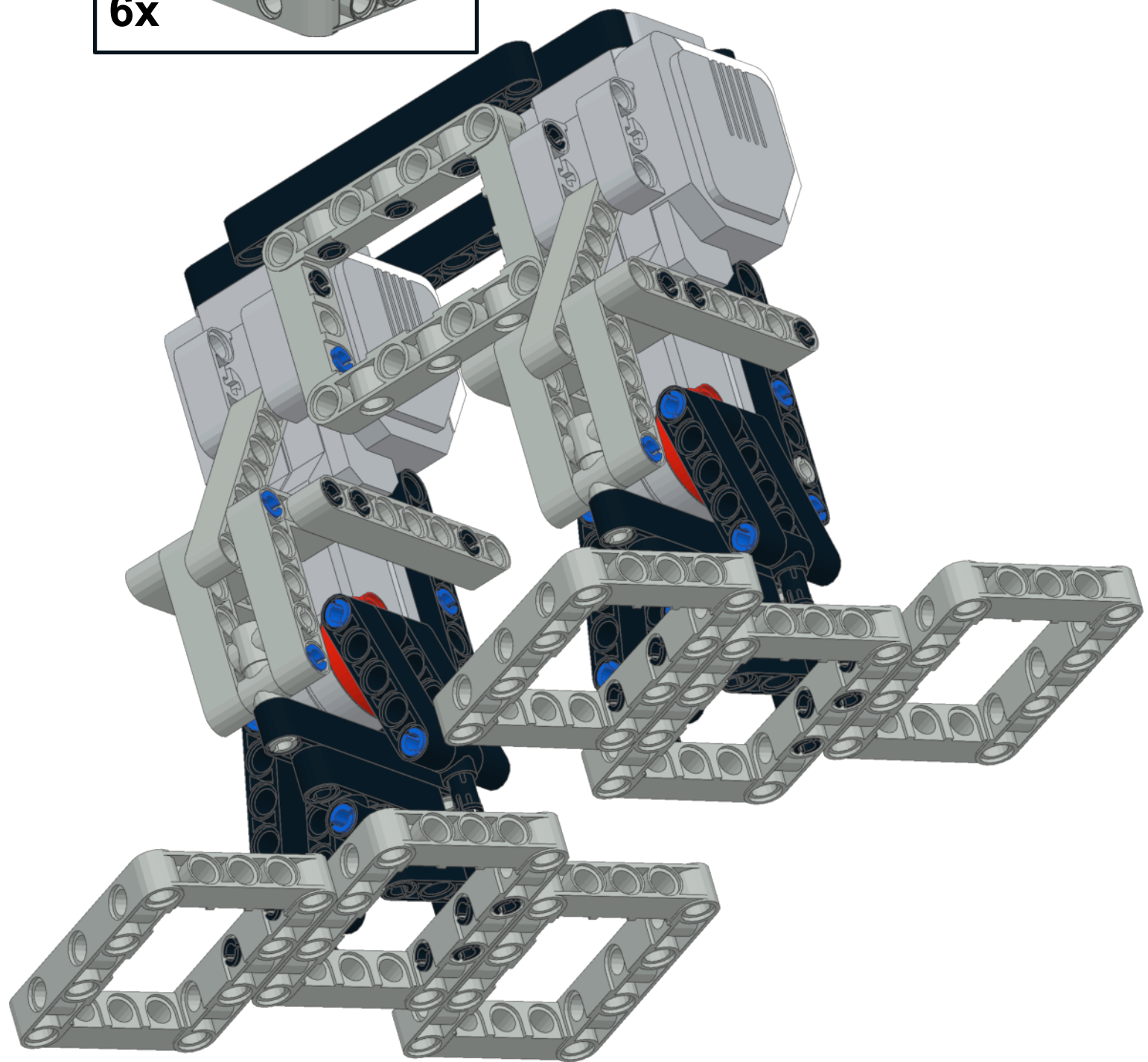
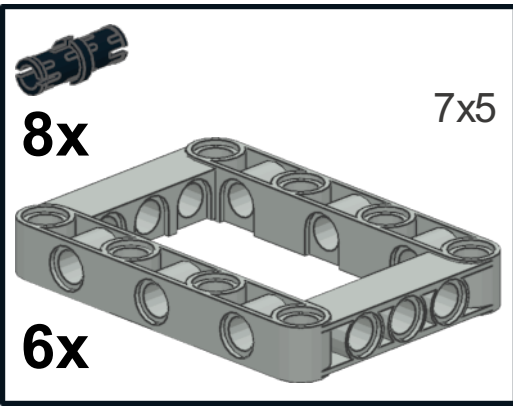
4x 3x3



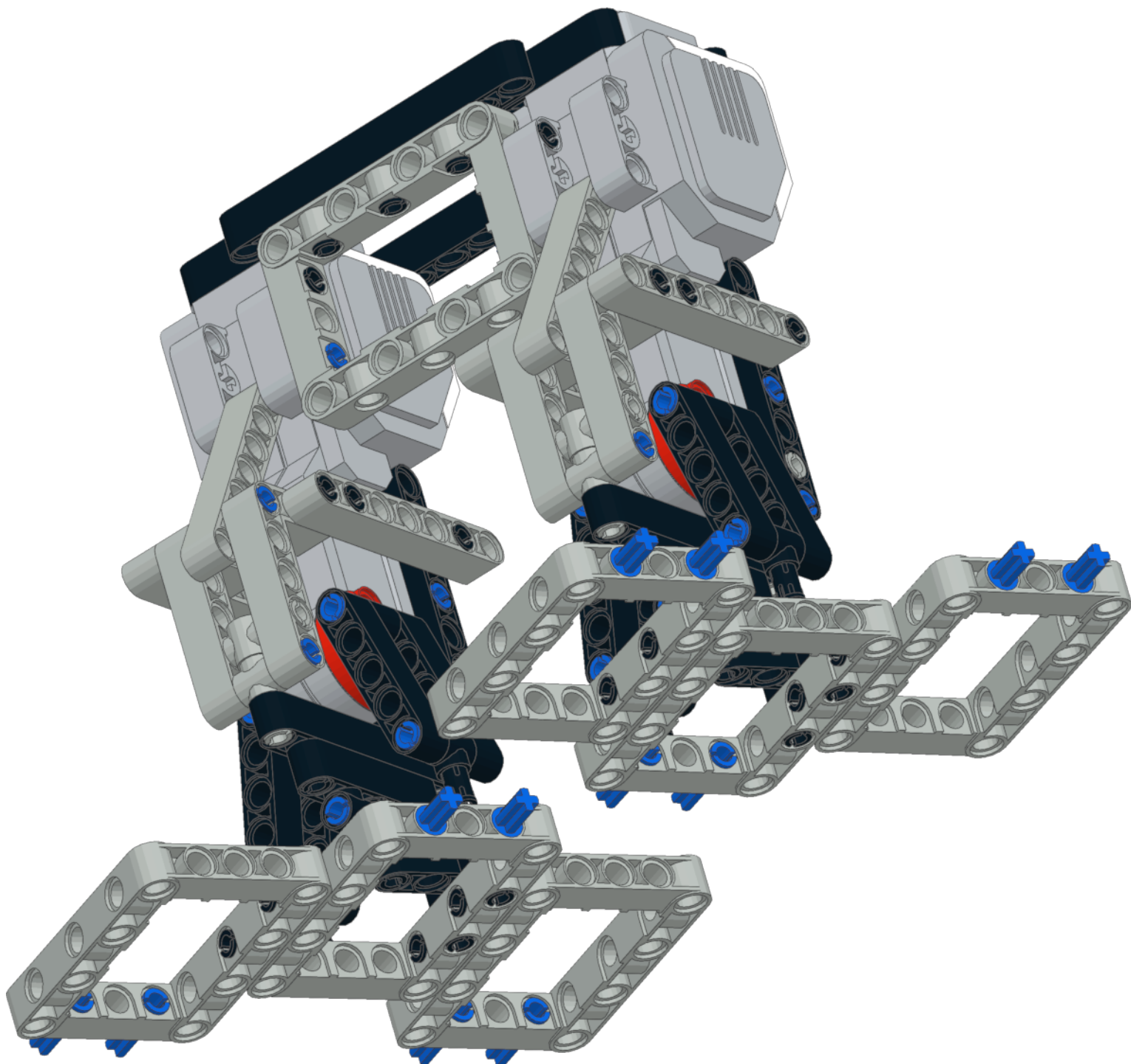
2x



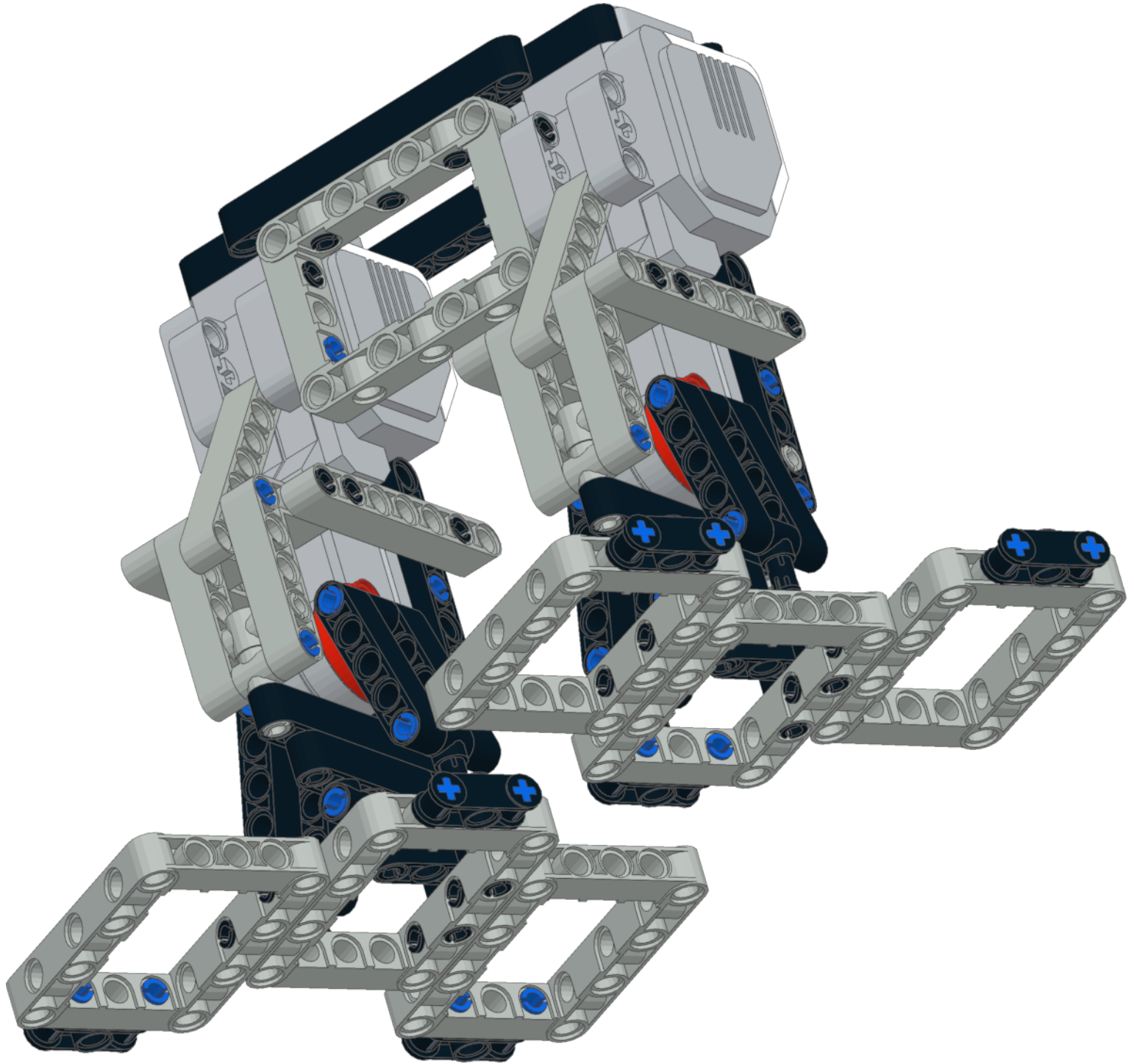
25



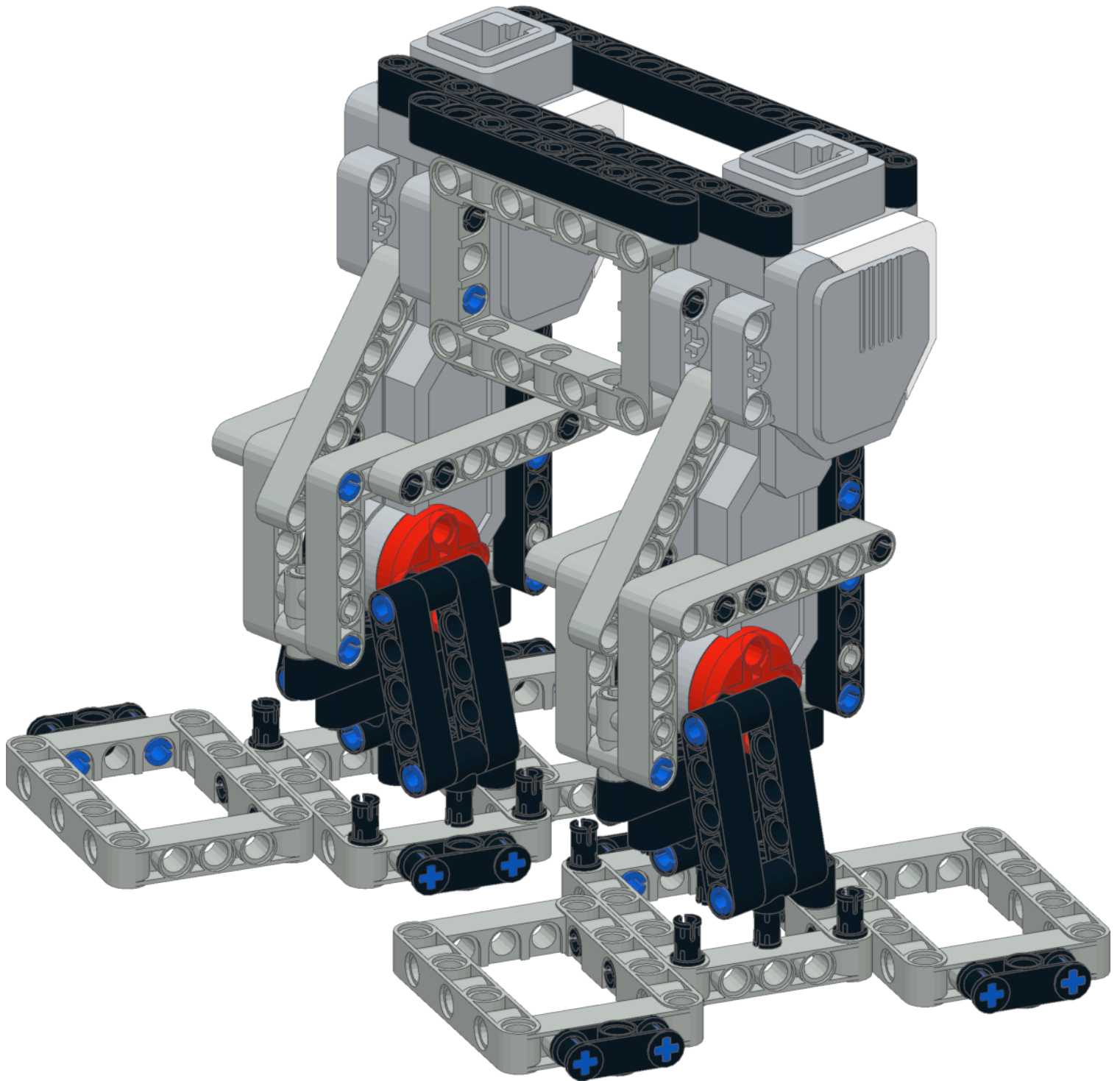
26



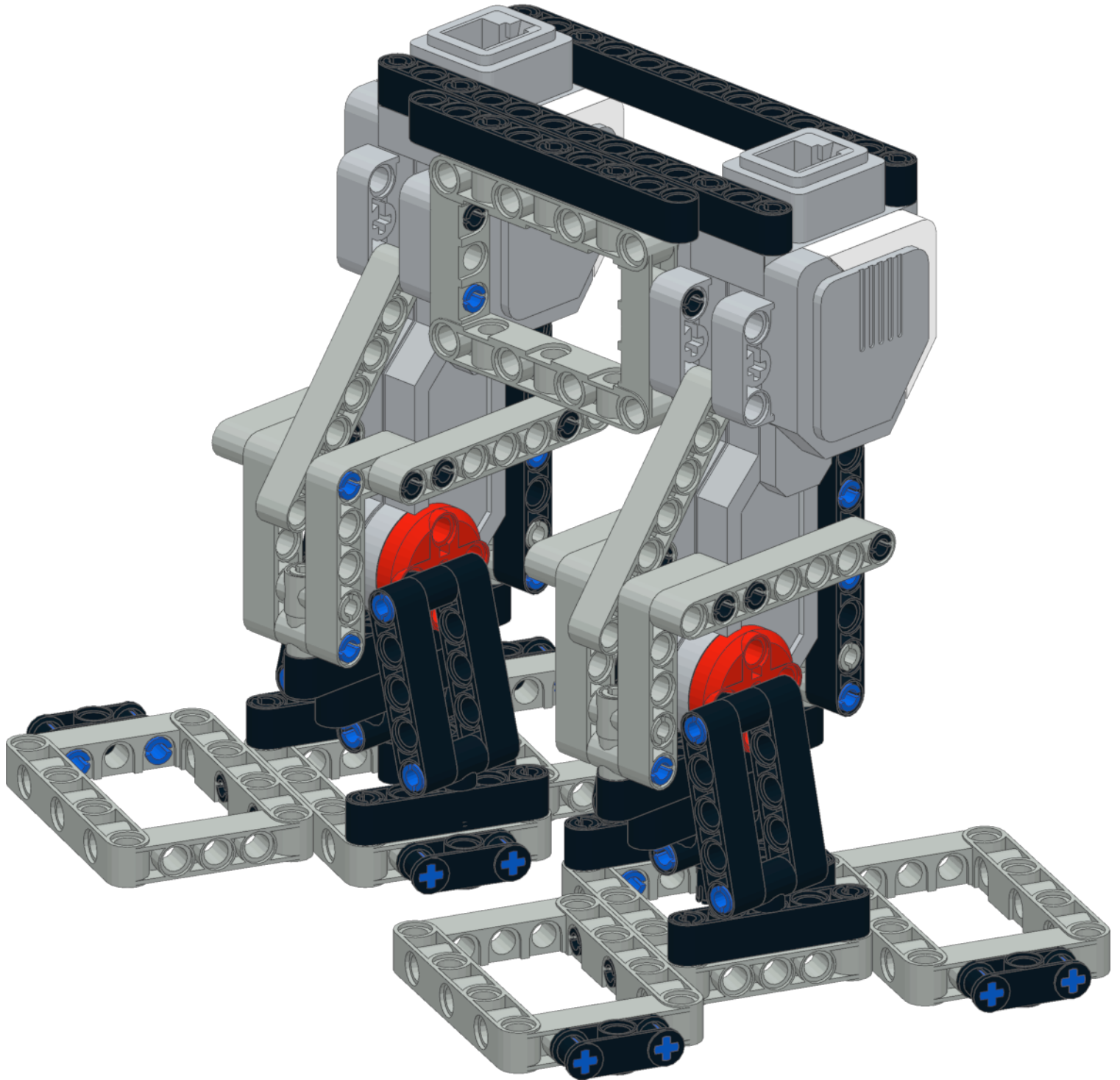
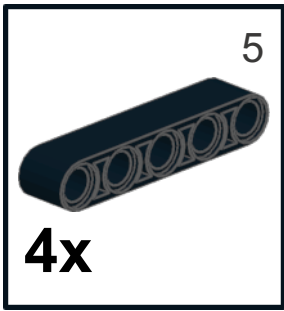
27



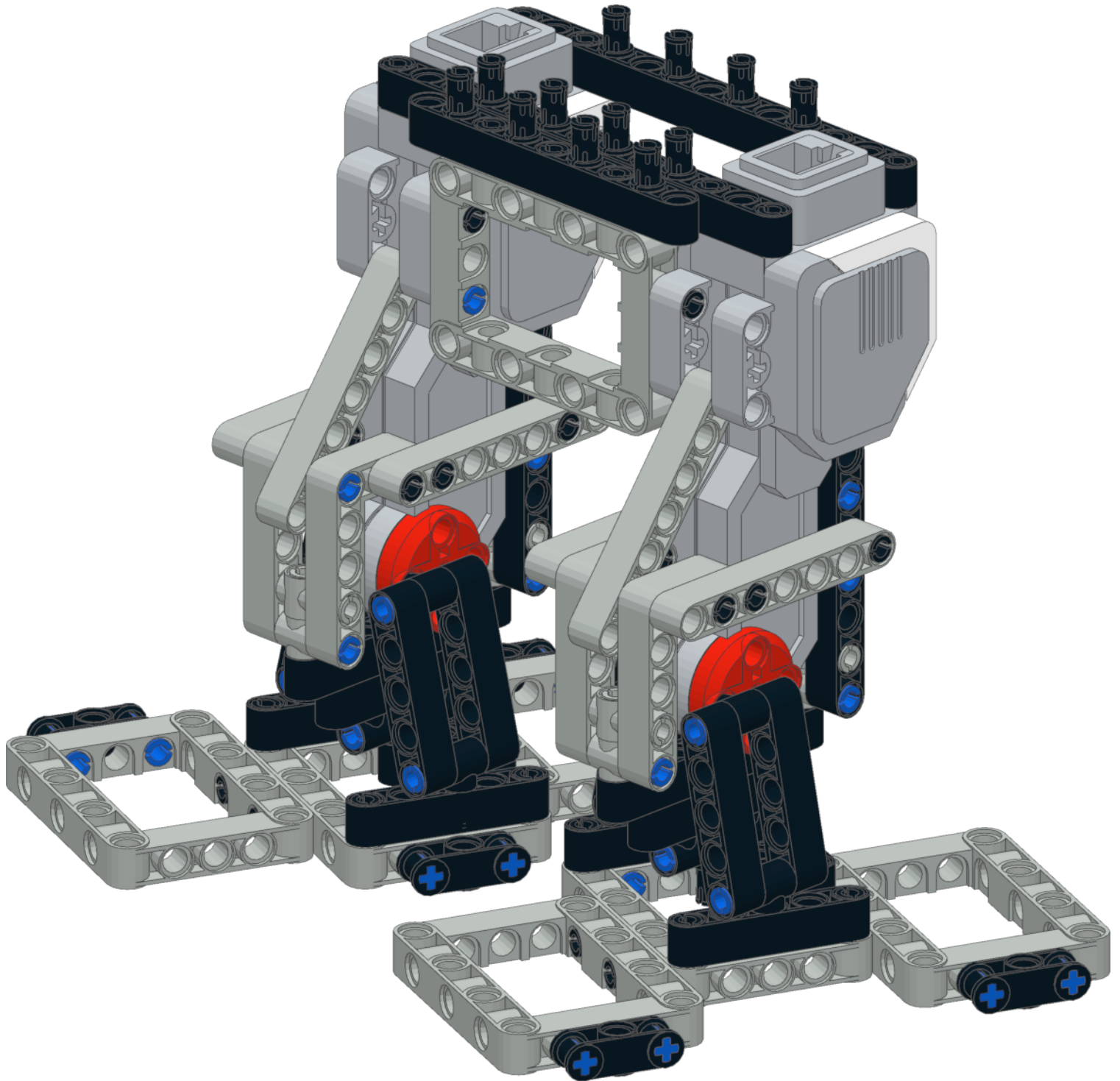
28



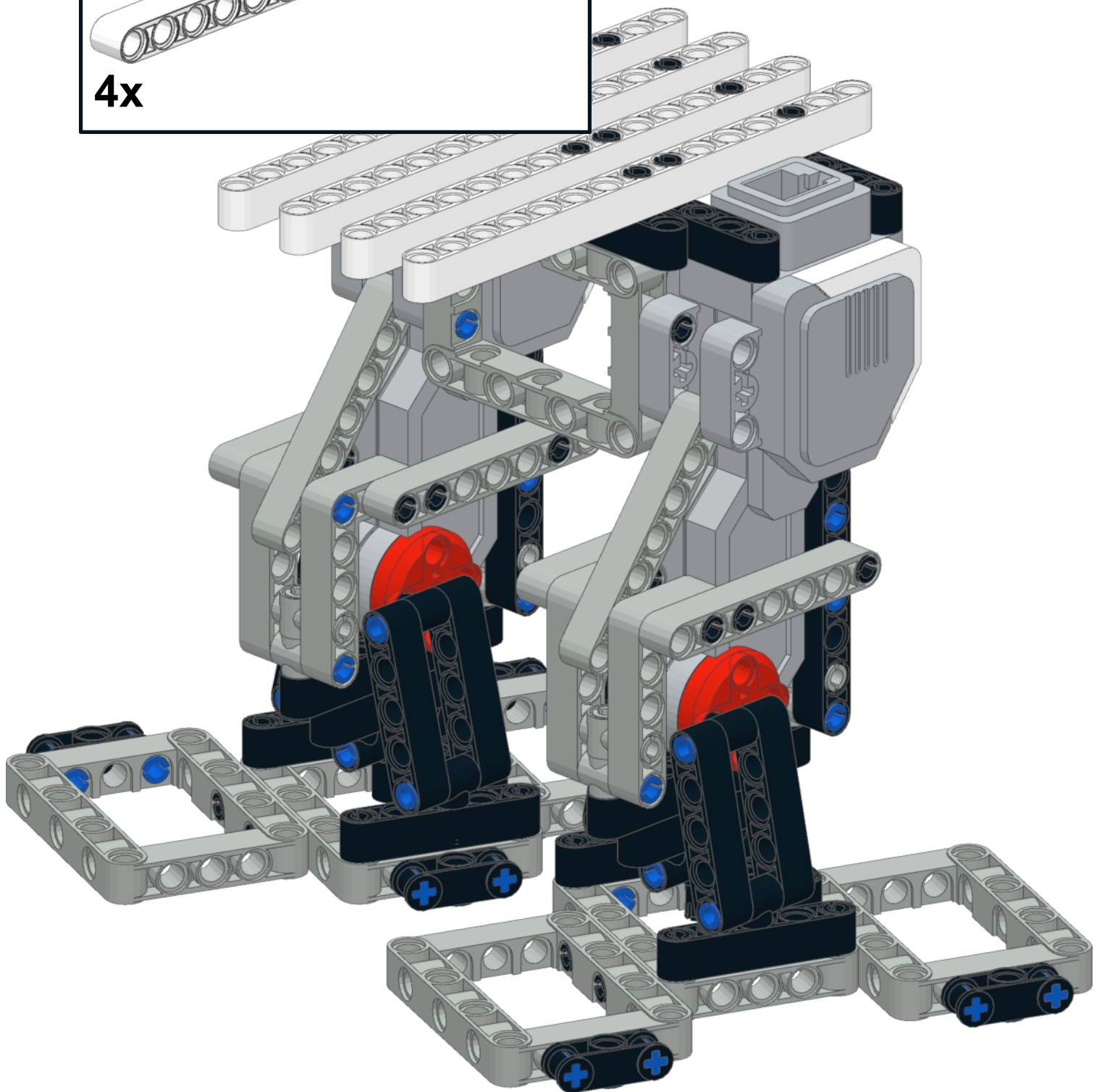
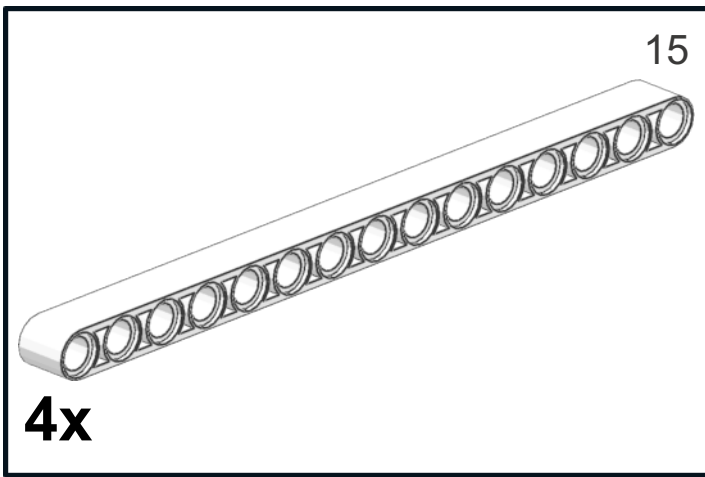
29




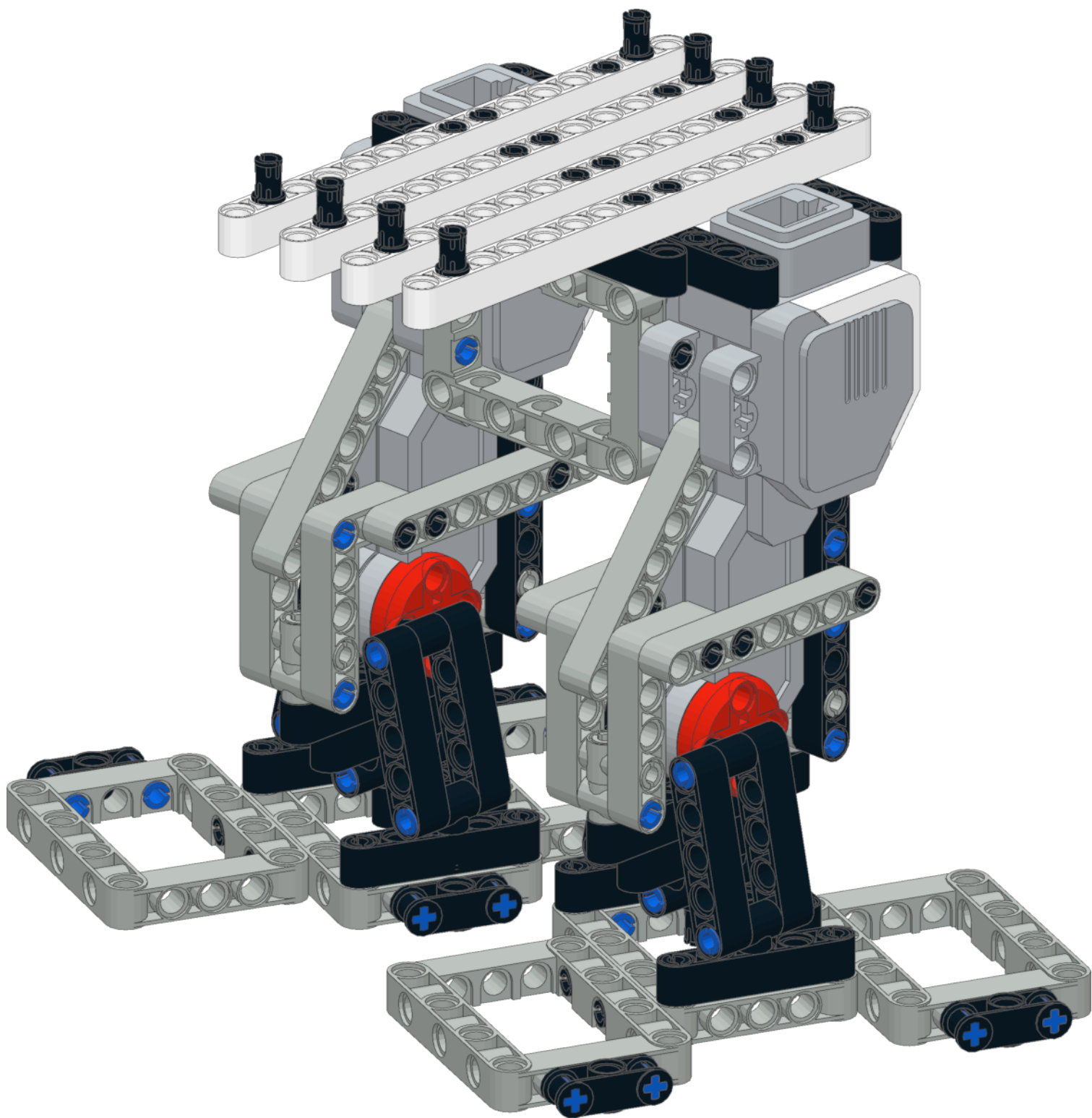
30

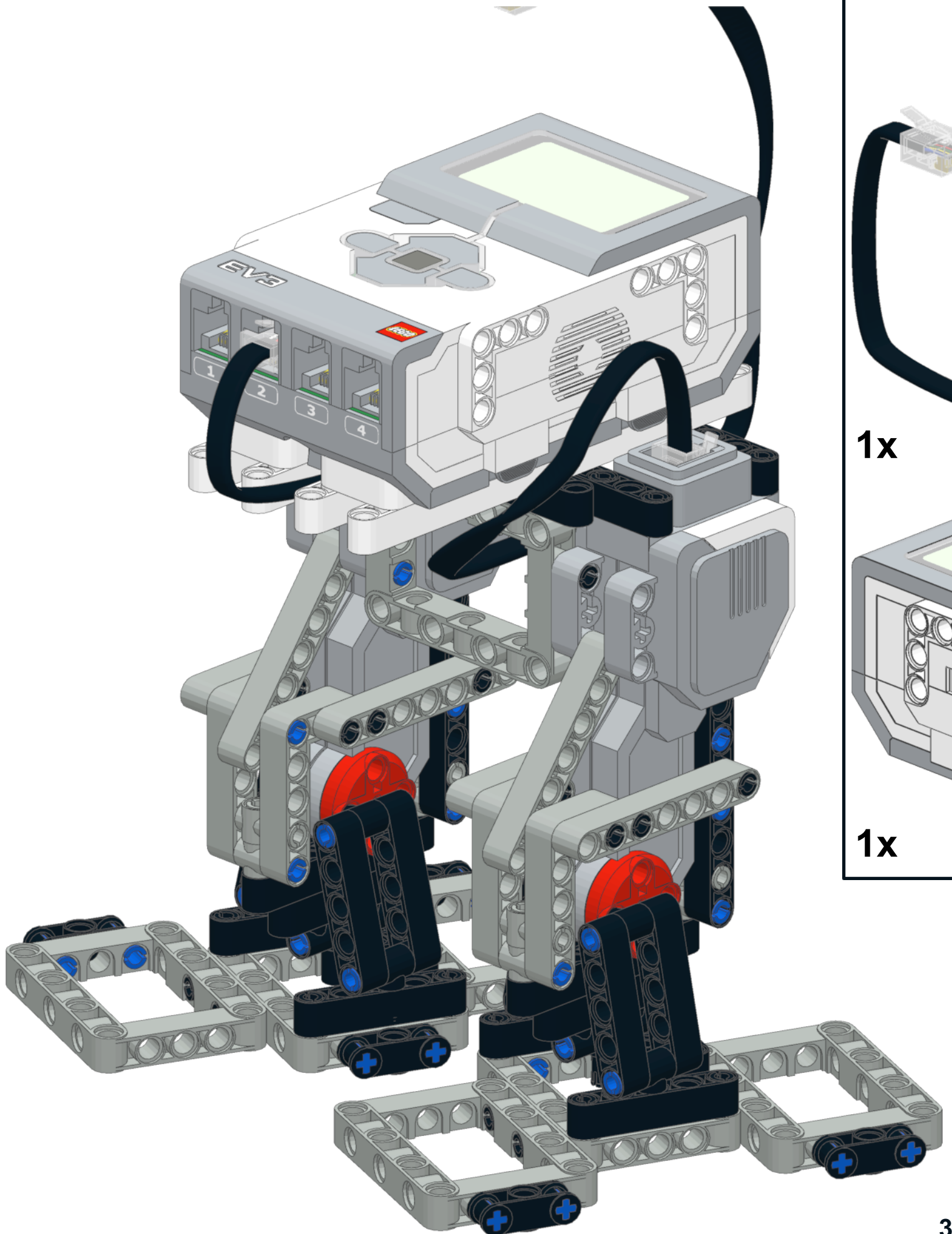


31

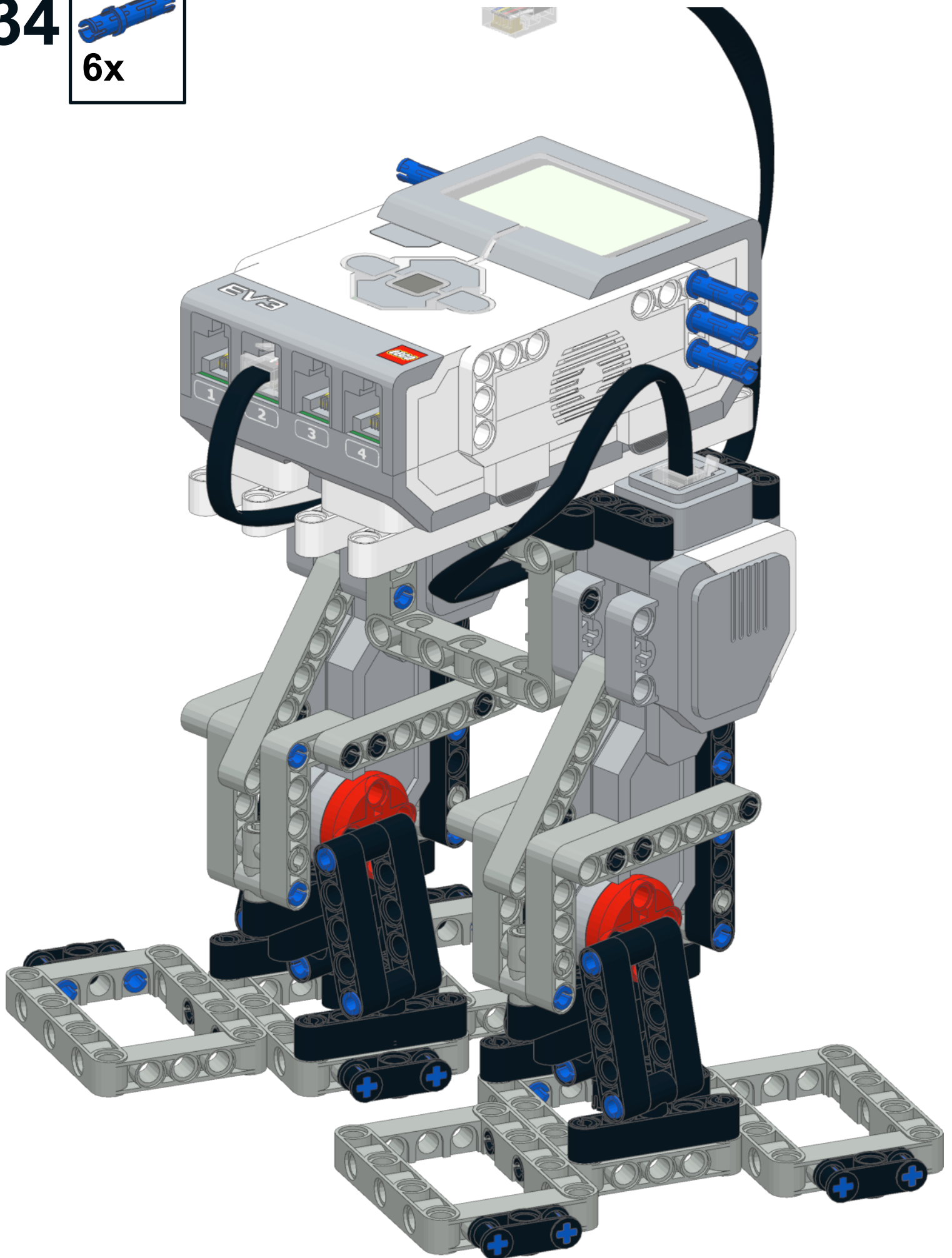


32 
8x


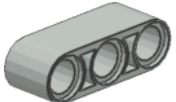
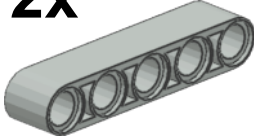


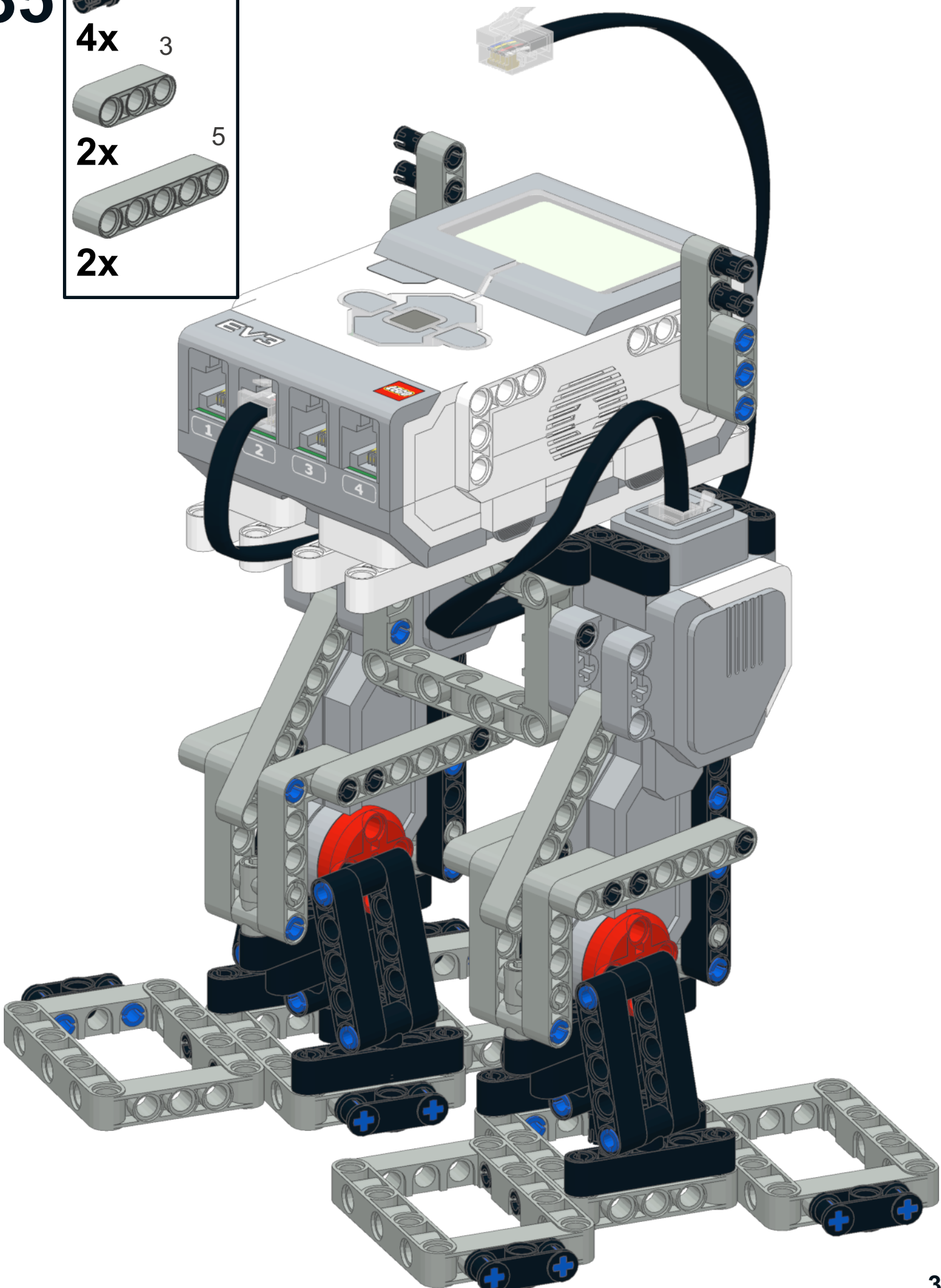


34

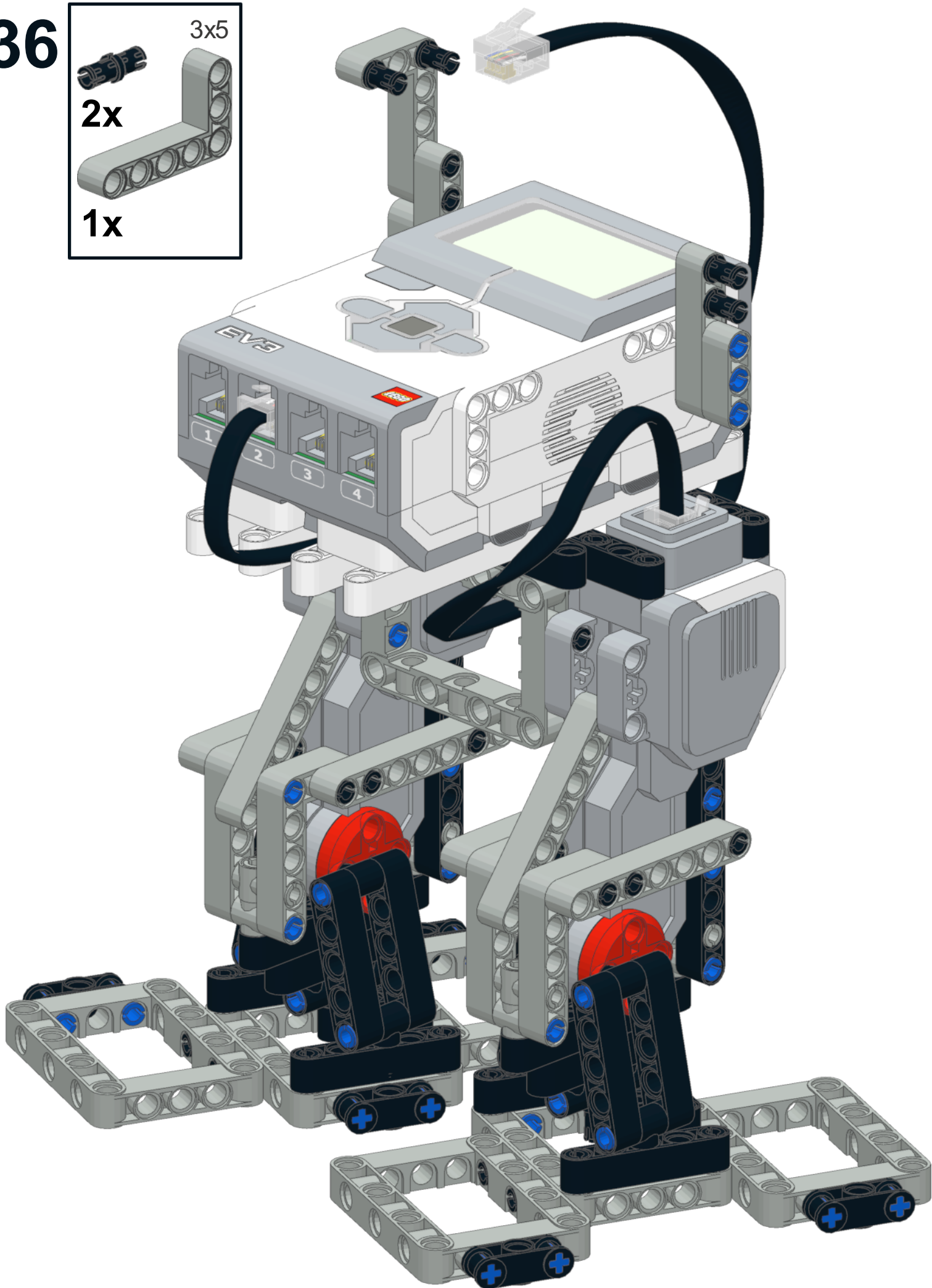
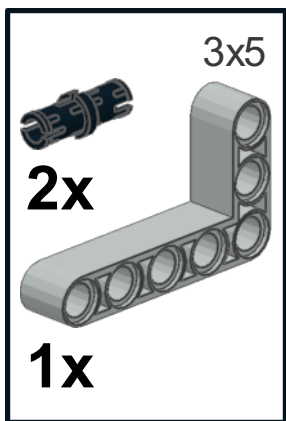


35

-  4x 3
-  2x 5
-  2x



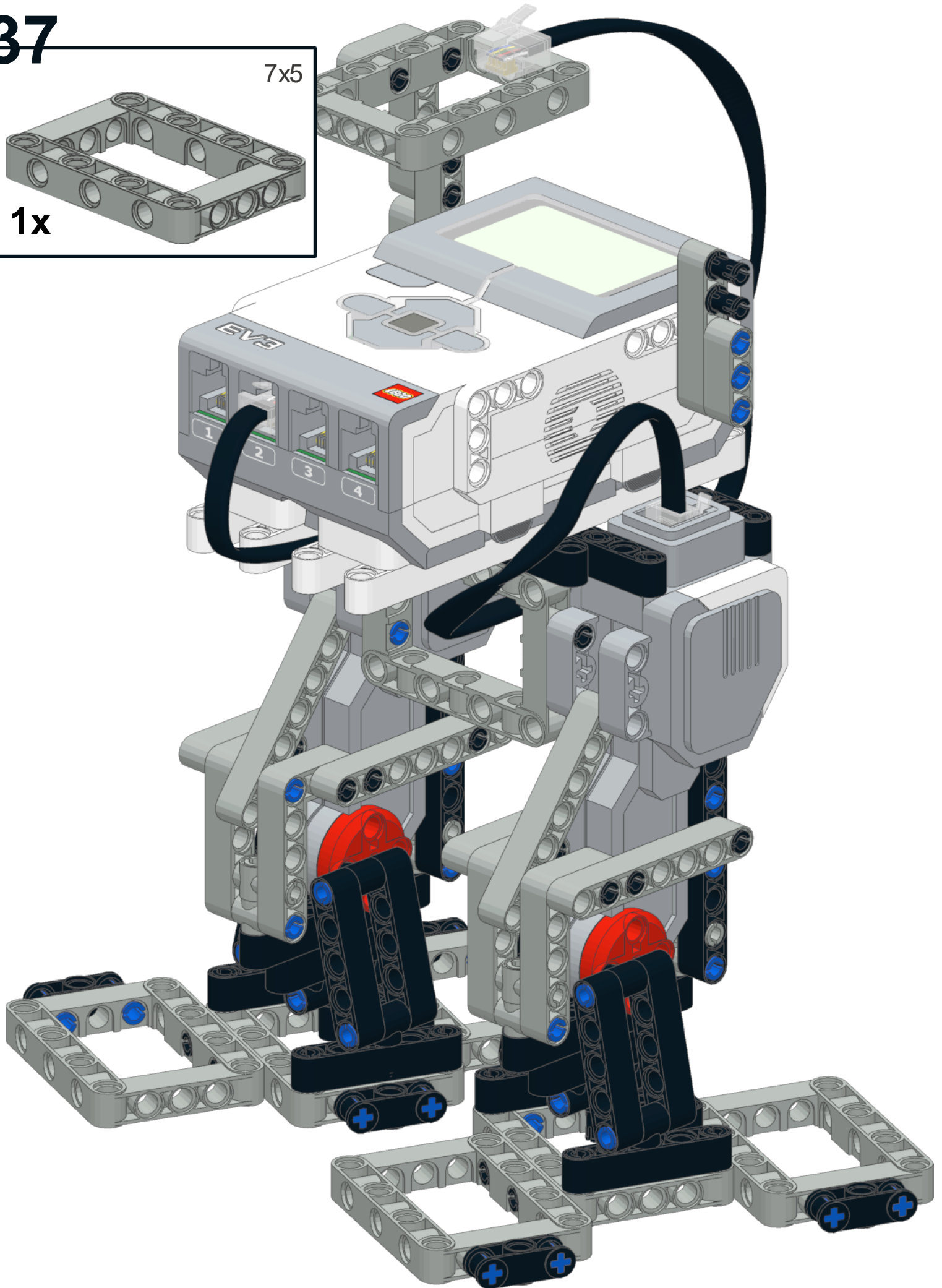
36



37

7x5

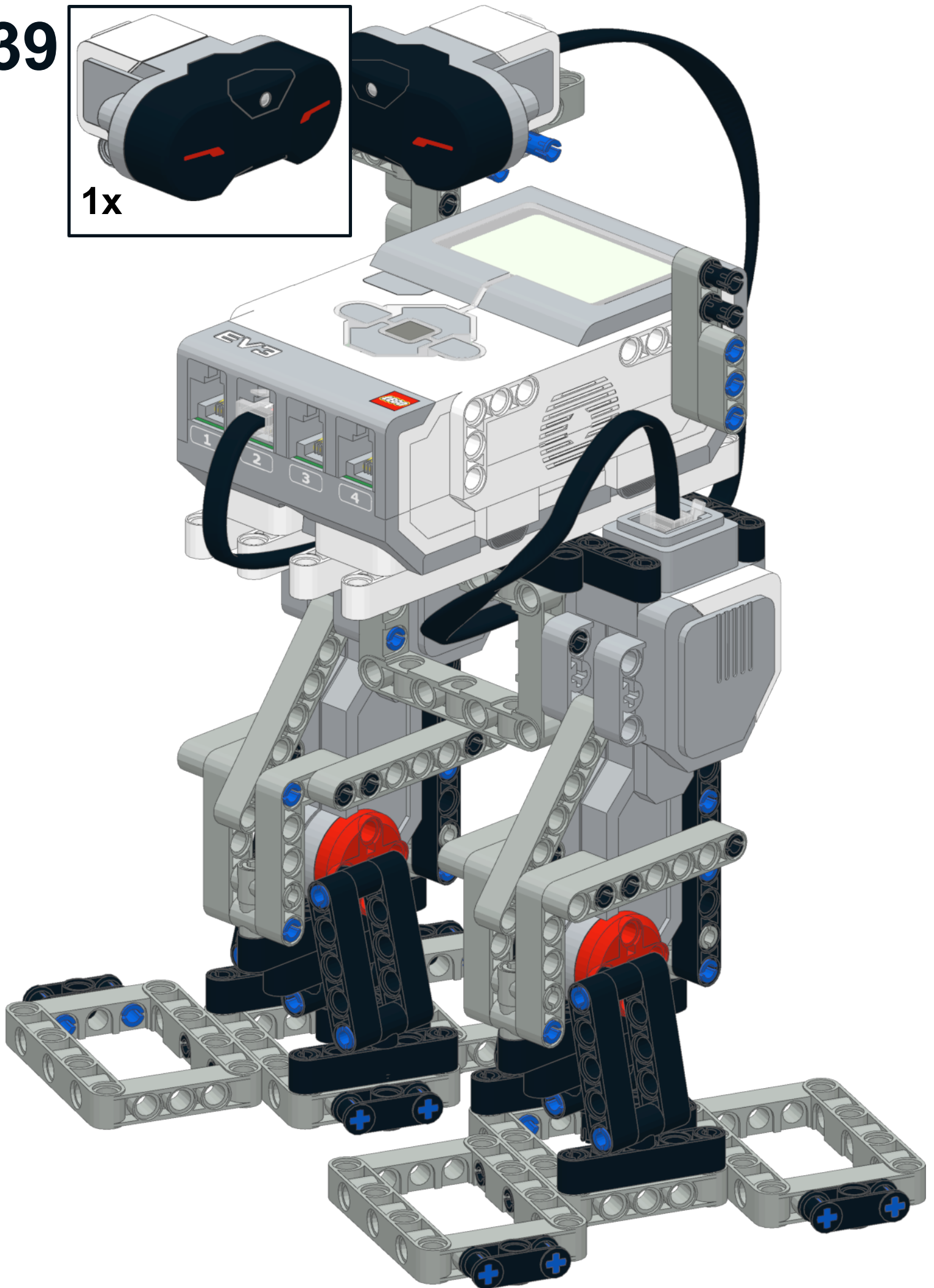
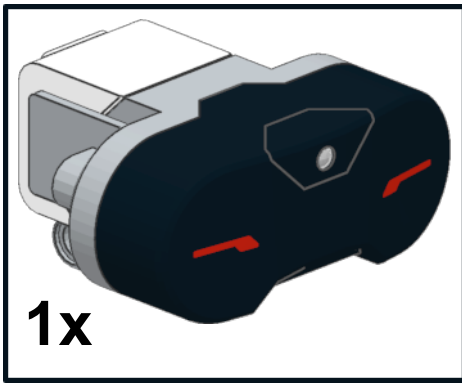
1x



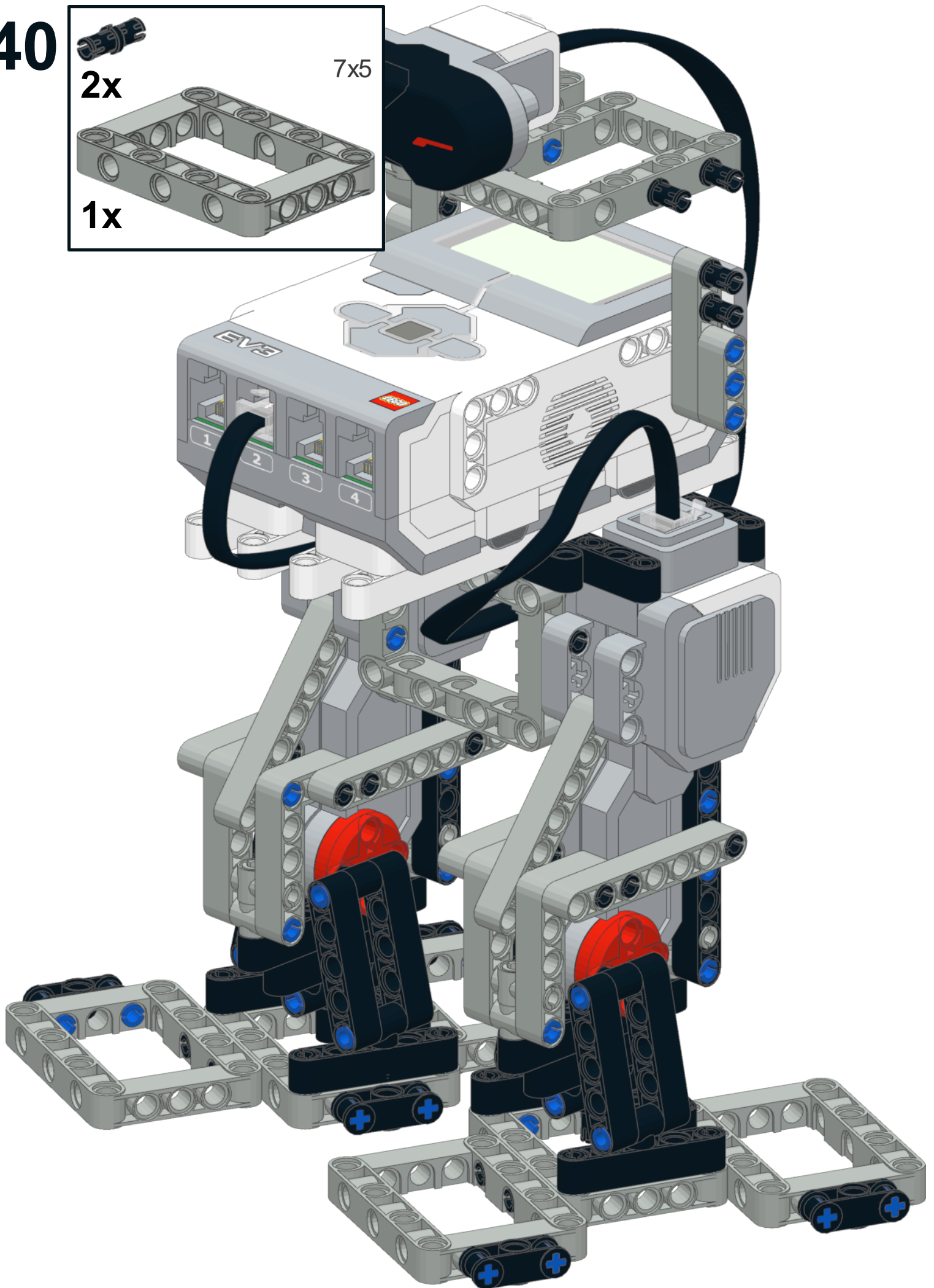
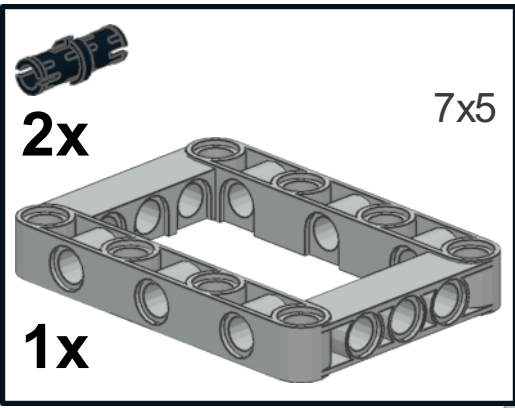
38



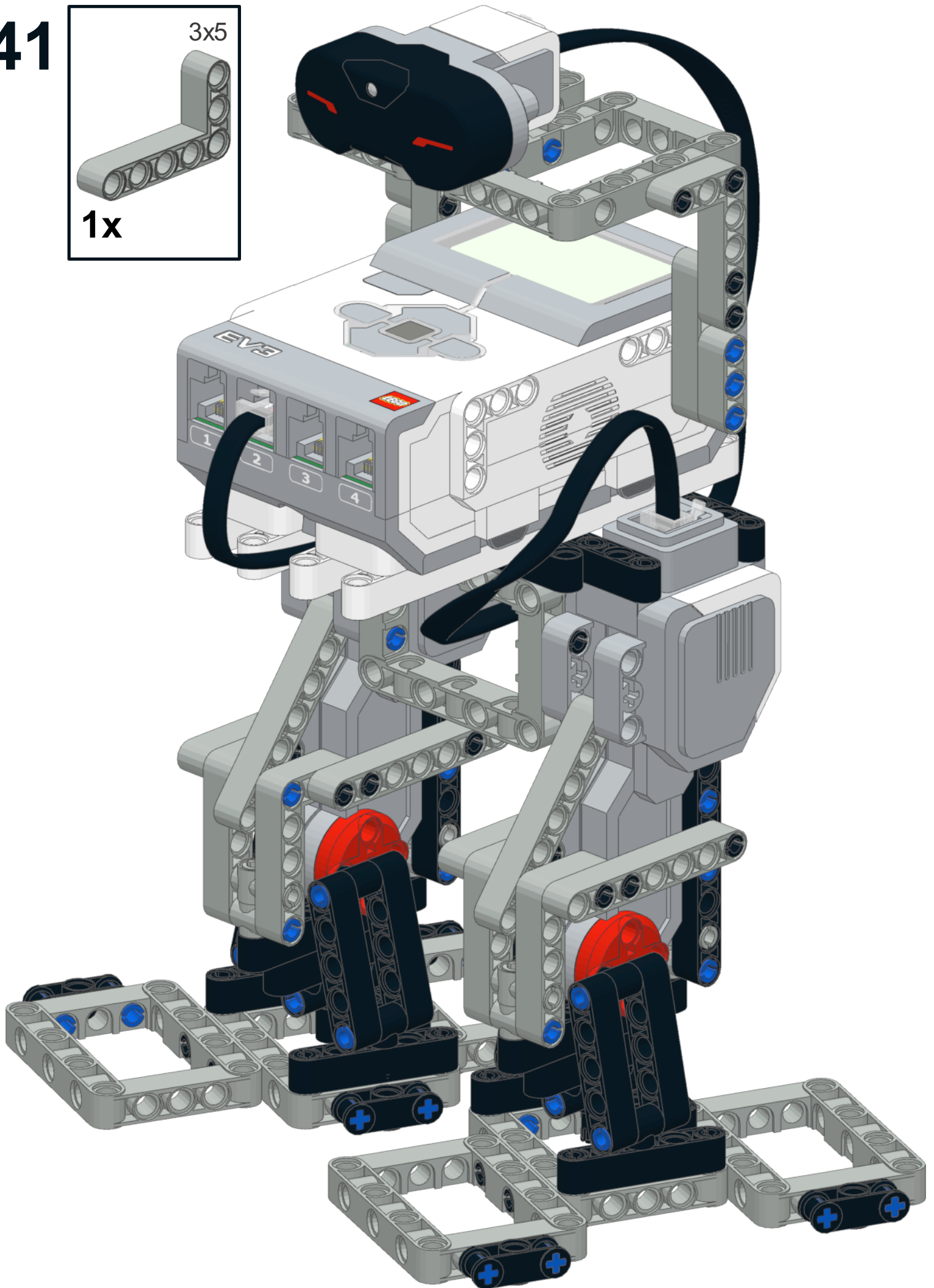
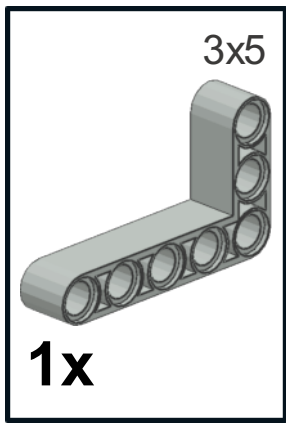
39

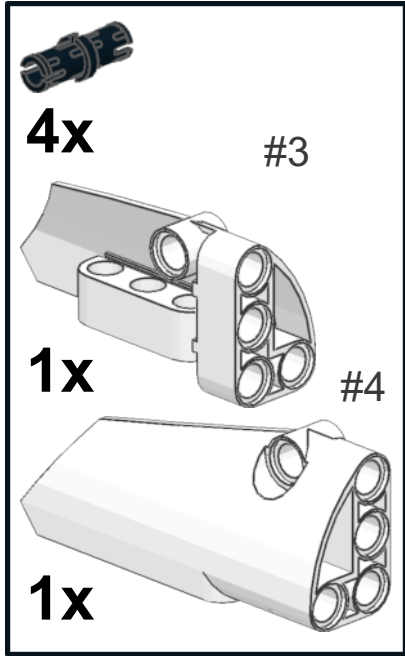


40



41



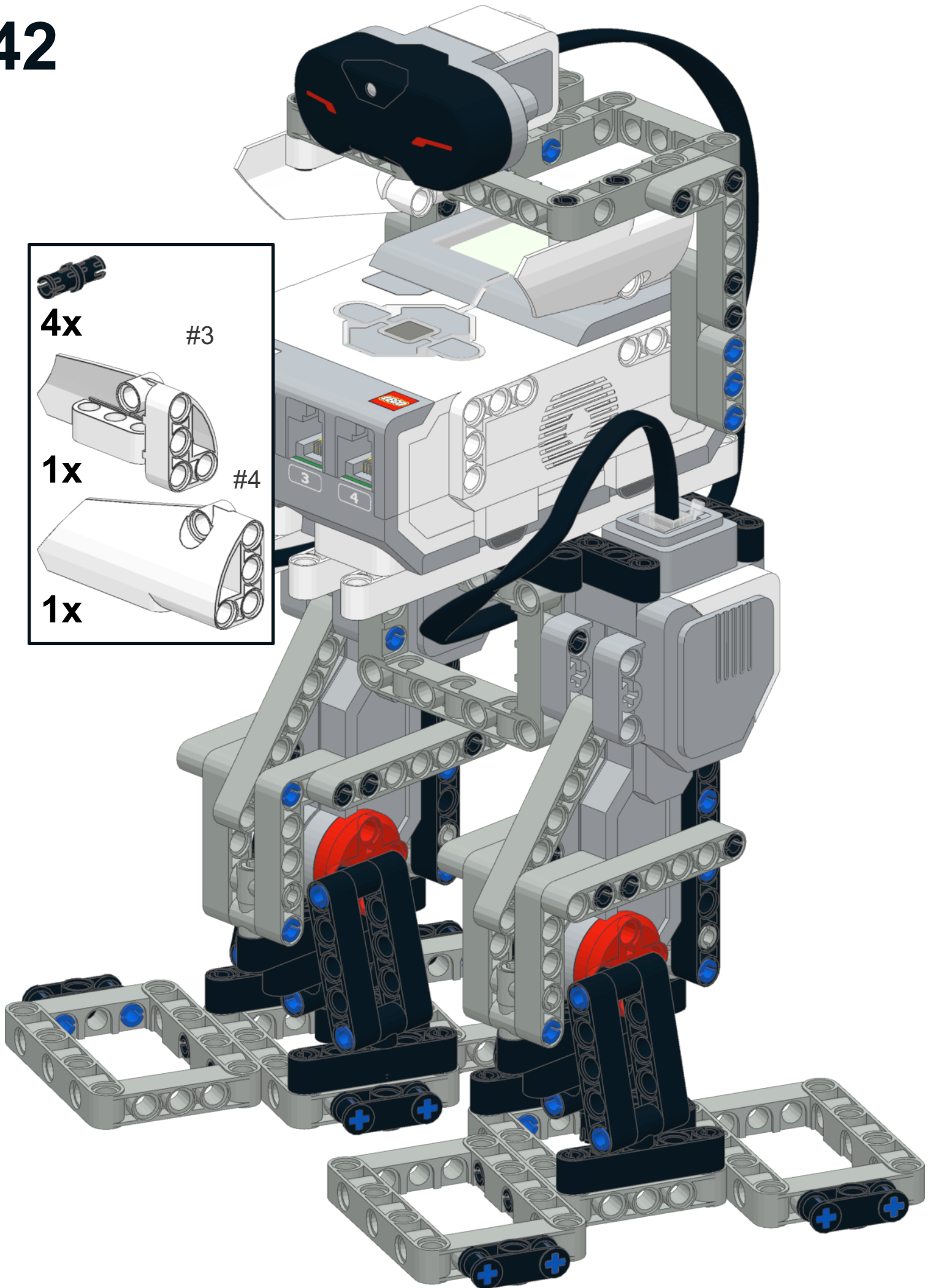


4x #3

1x #4

1x

This inset box lists the parts required for step 42. It includes four of part #3, one of part #4, and one additional white part. Part #3 is a small black cylindrical pin. Part #4 is a white 1x3 Technic connector with three holes. The additional white part is a 1x3 Technic Technonut with three holes.



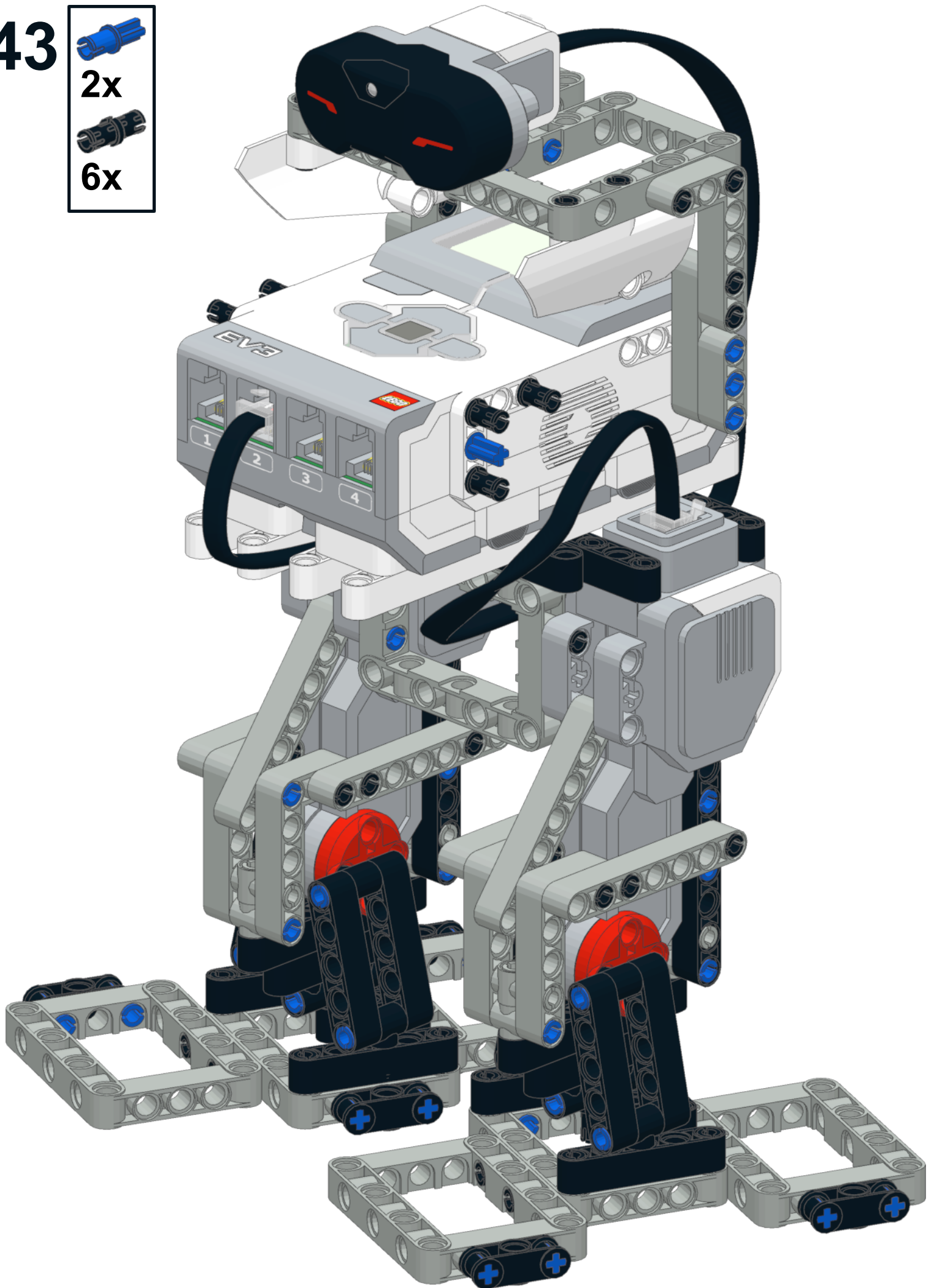
43



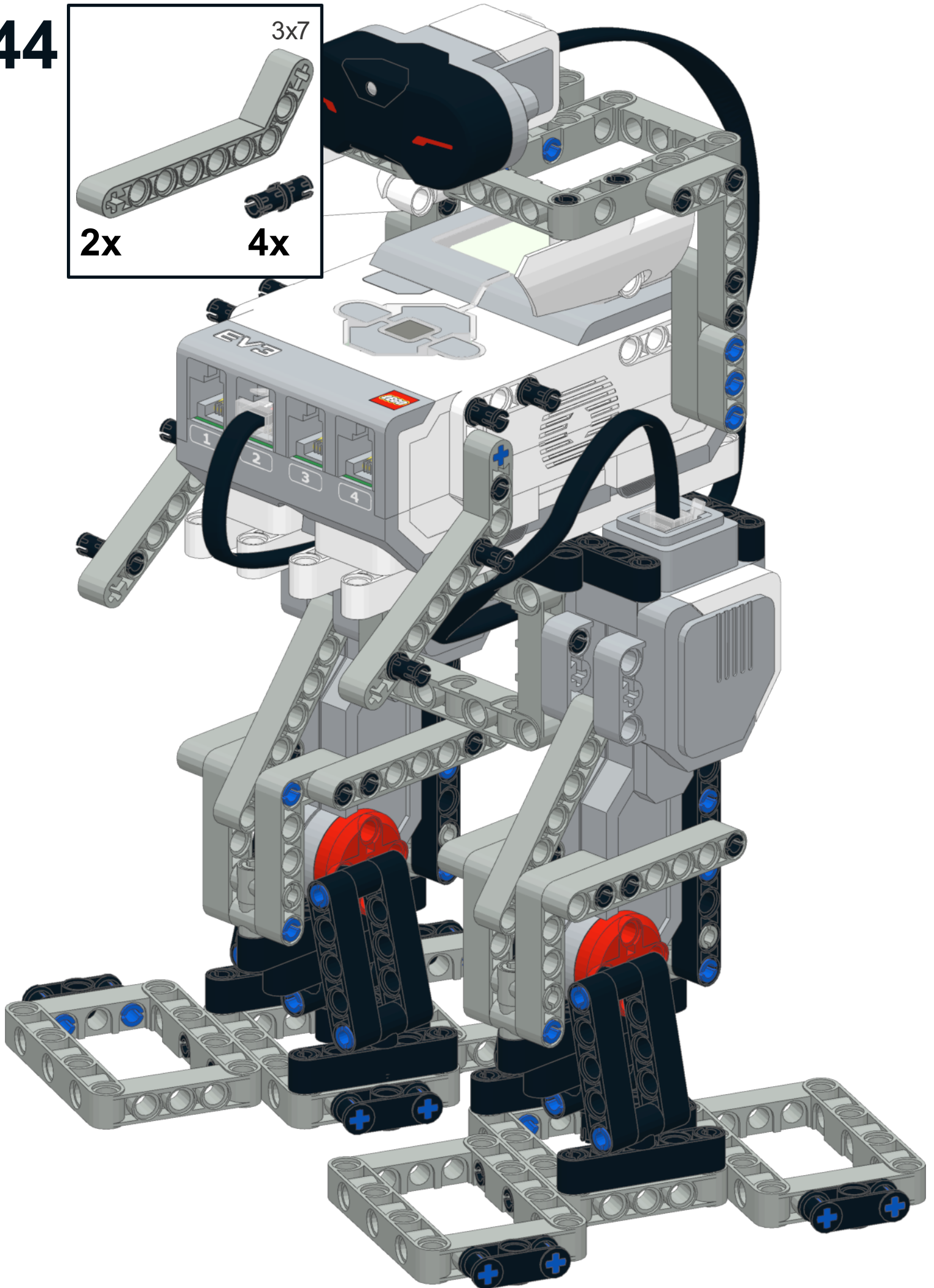
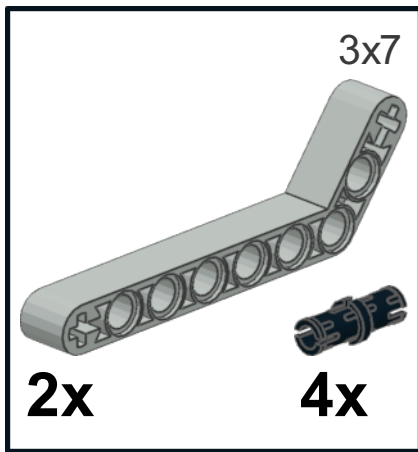
2x



6x



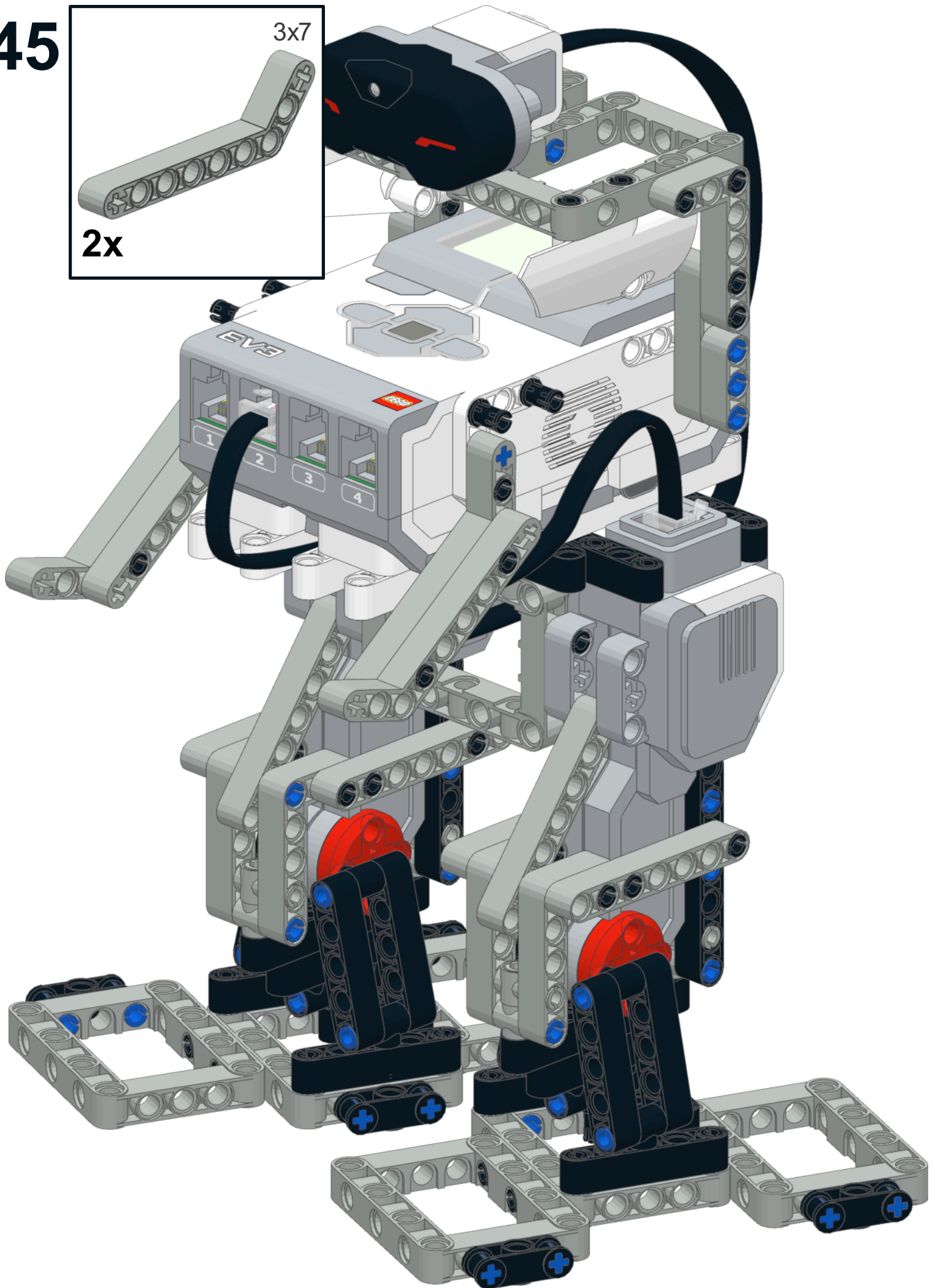
44

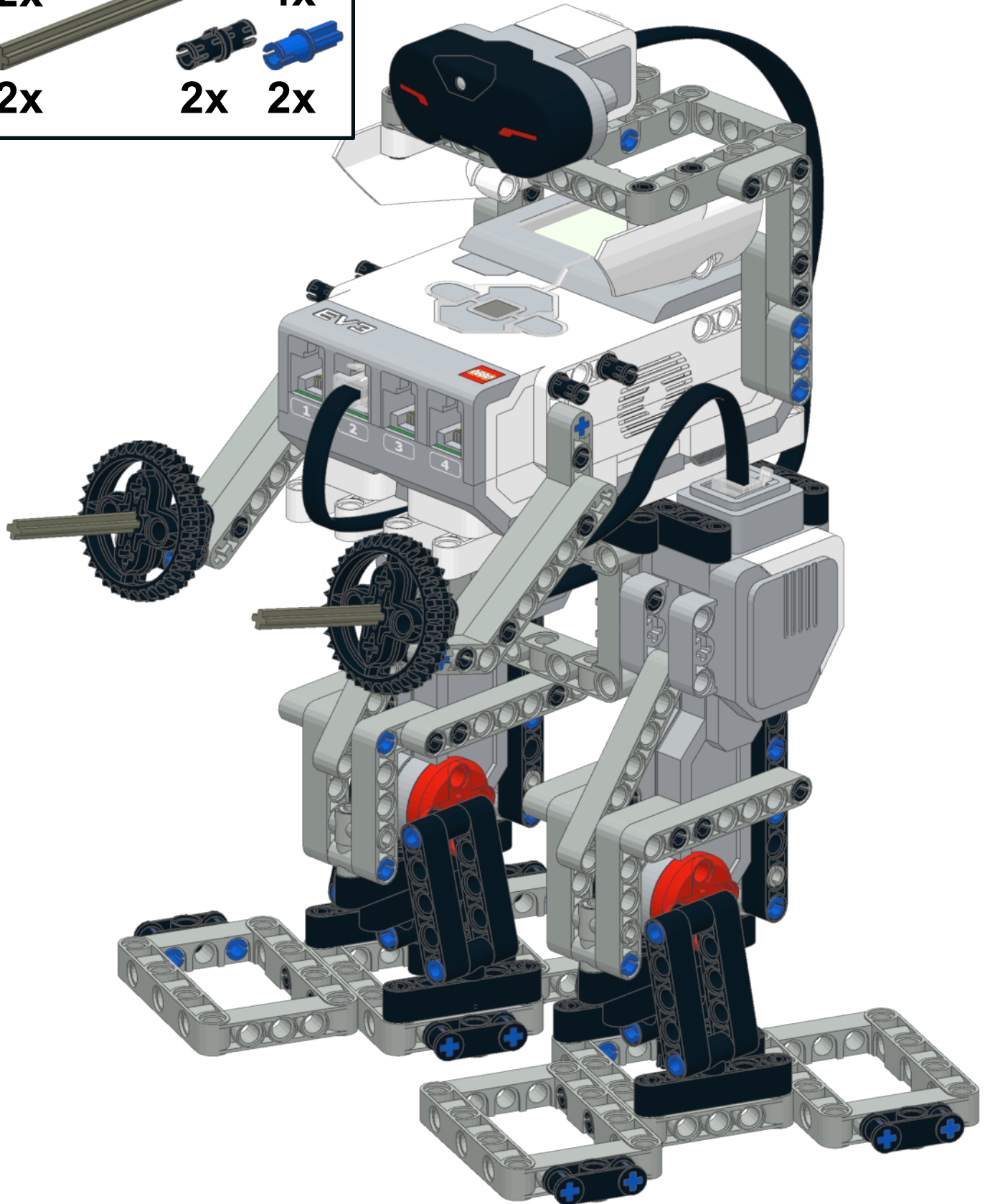
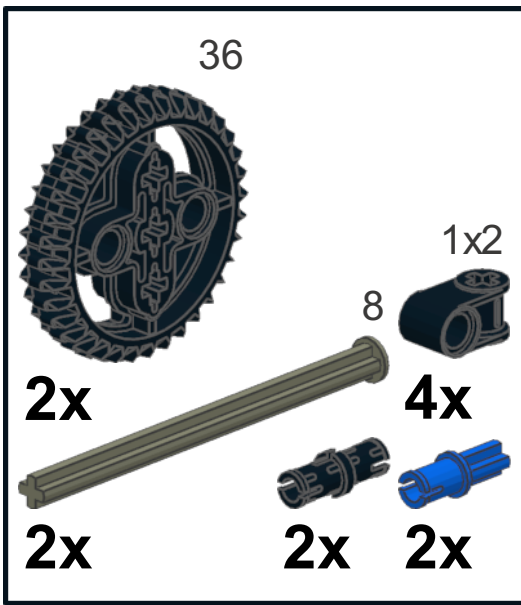


45

3x7

2x





40.4

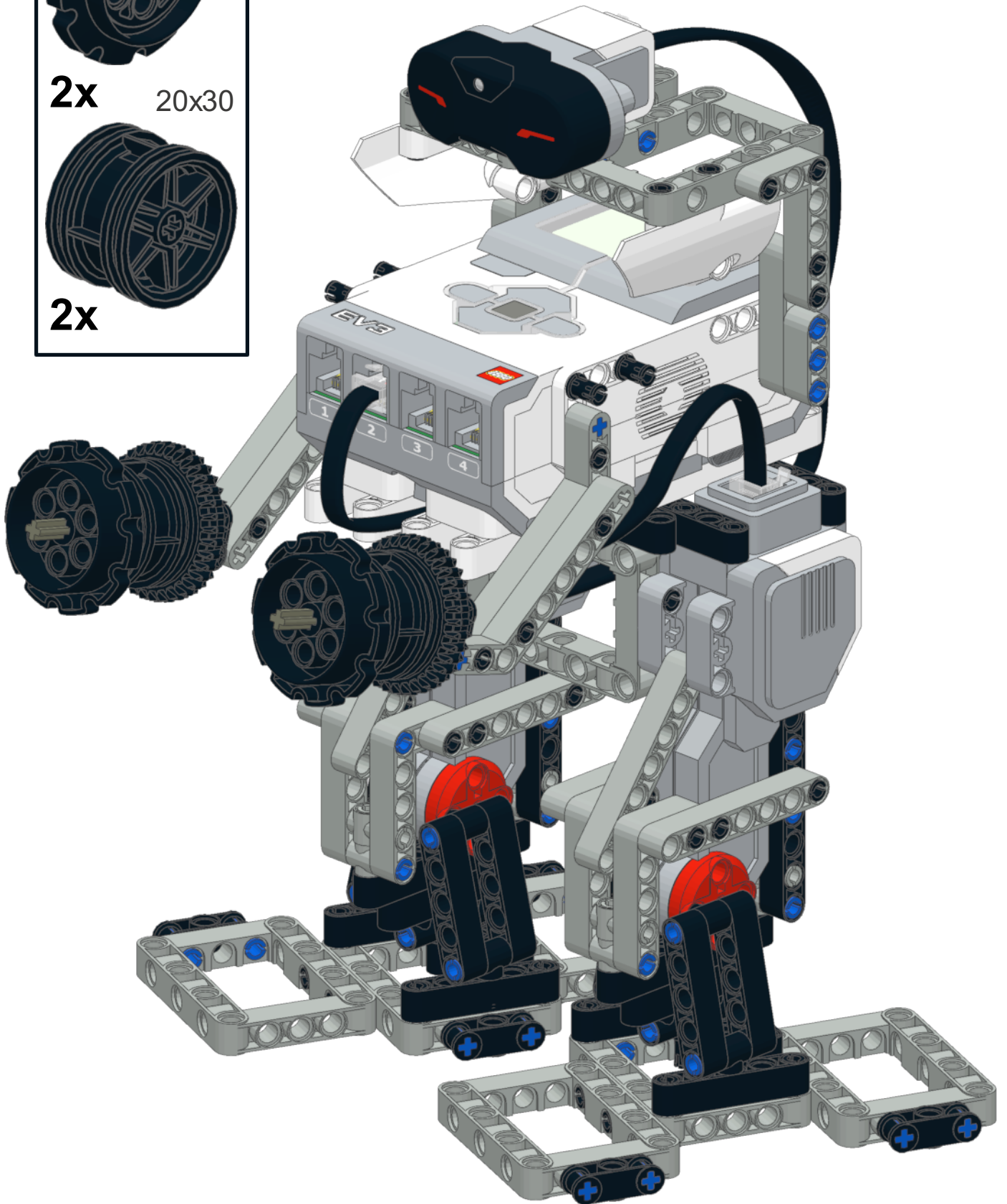


2x

20x30



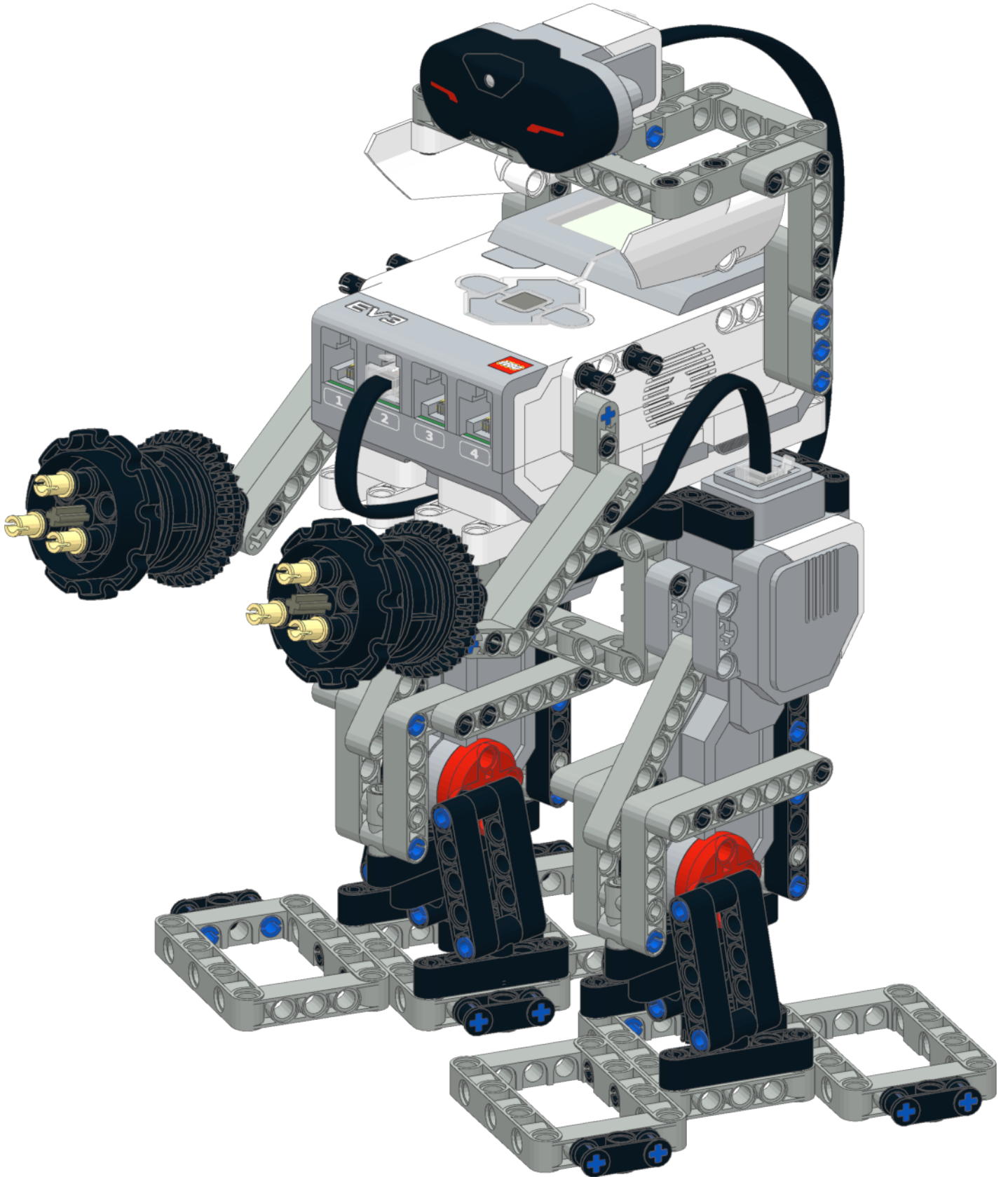
2x



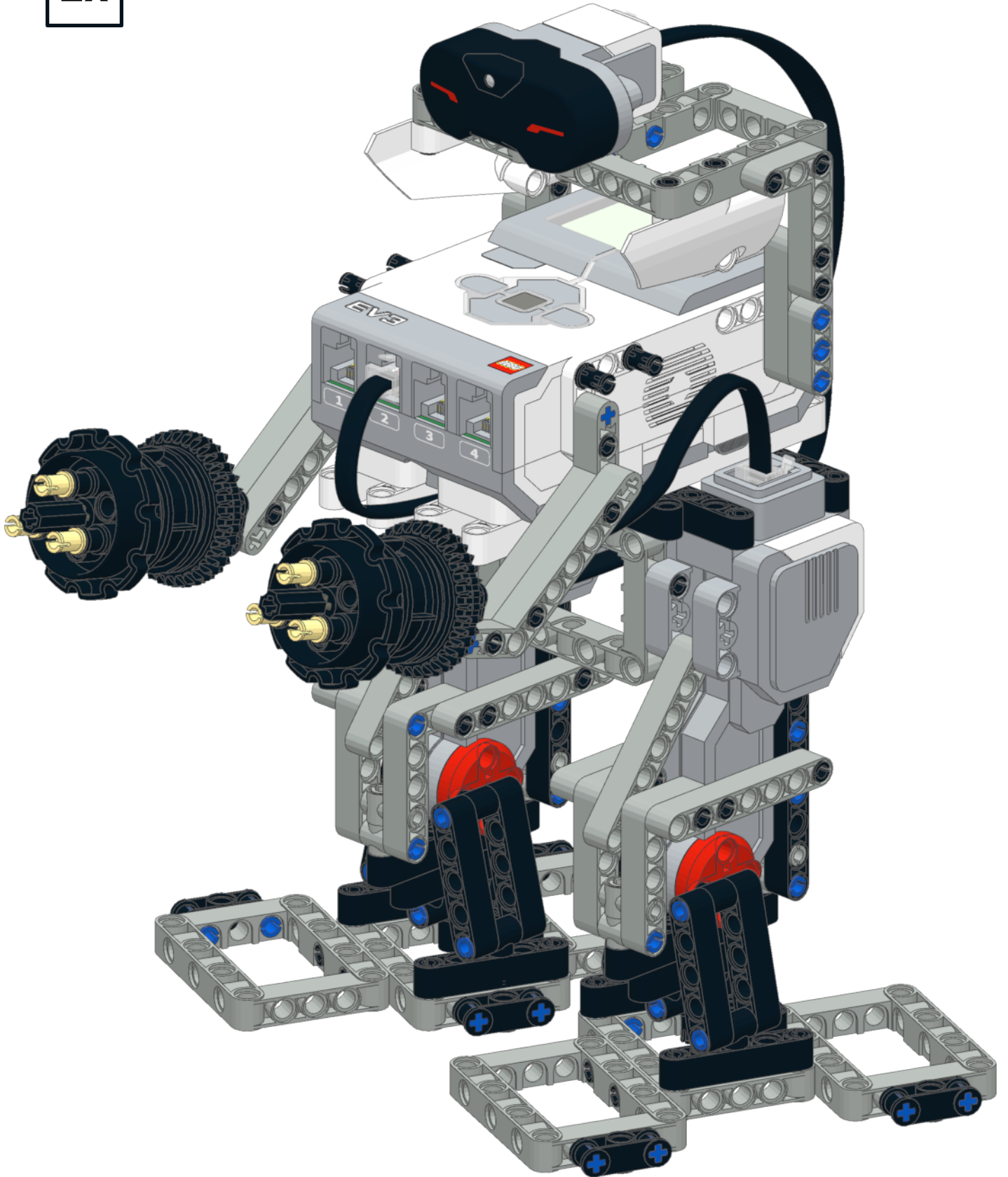
48



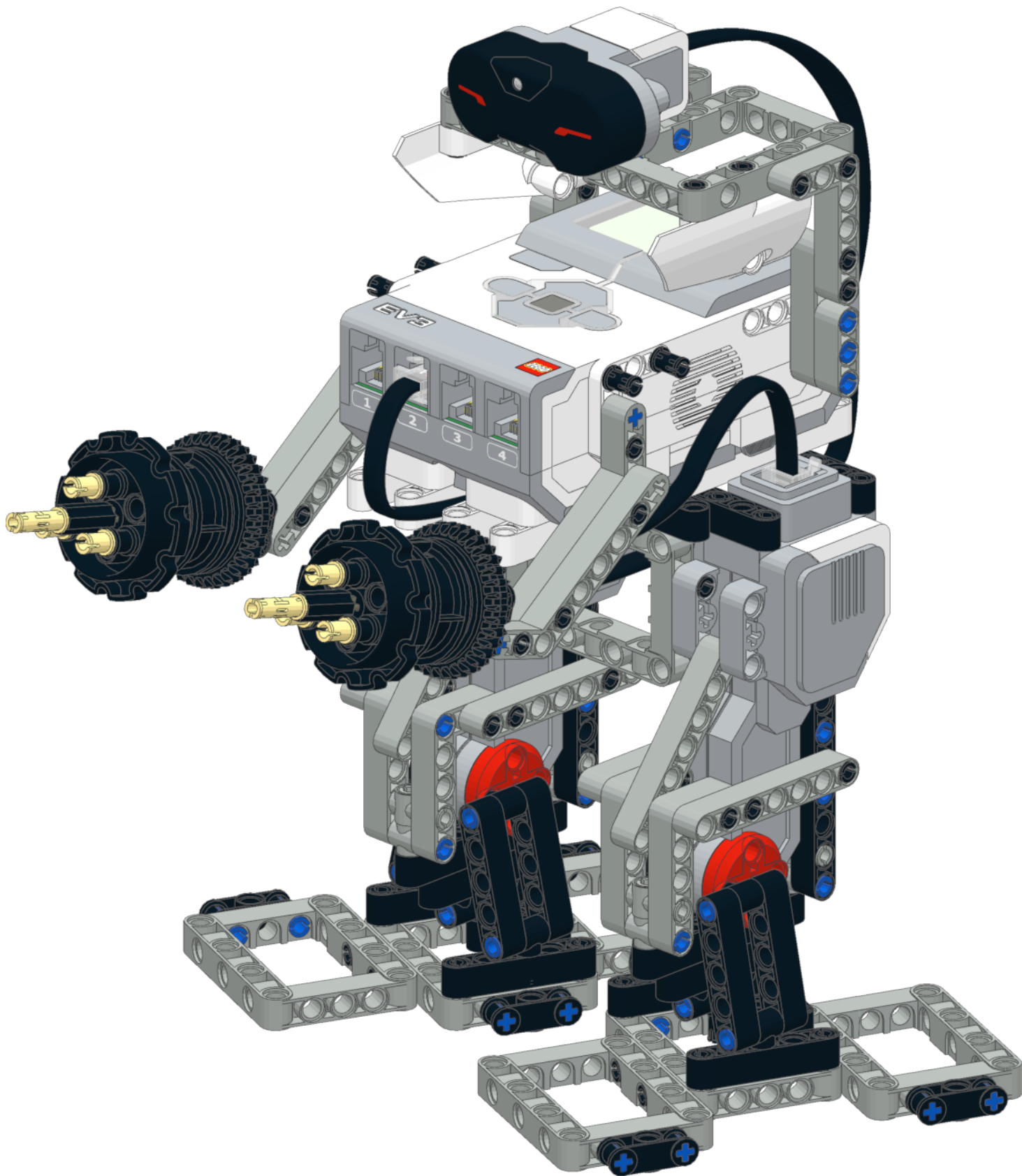
49

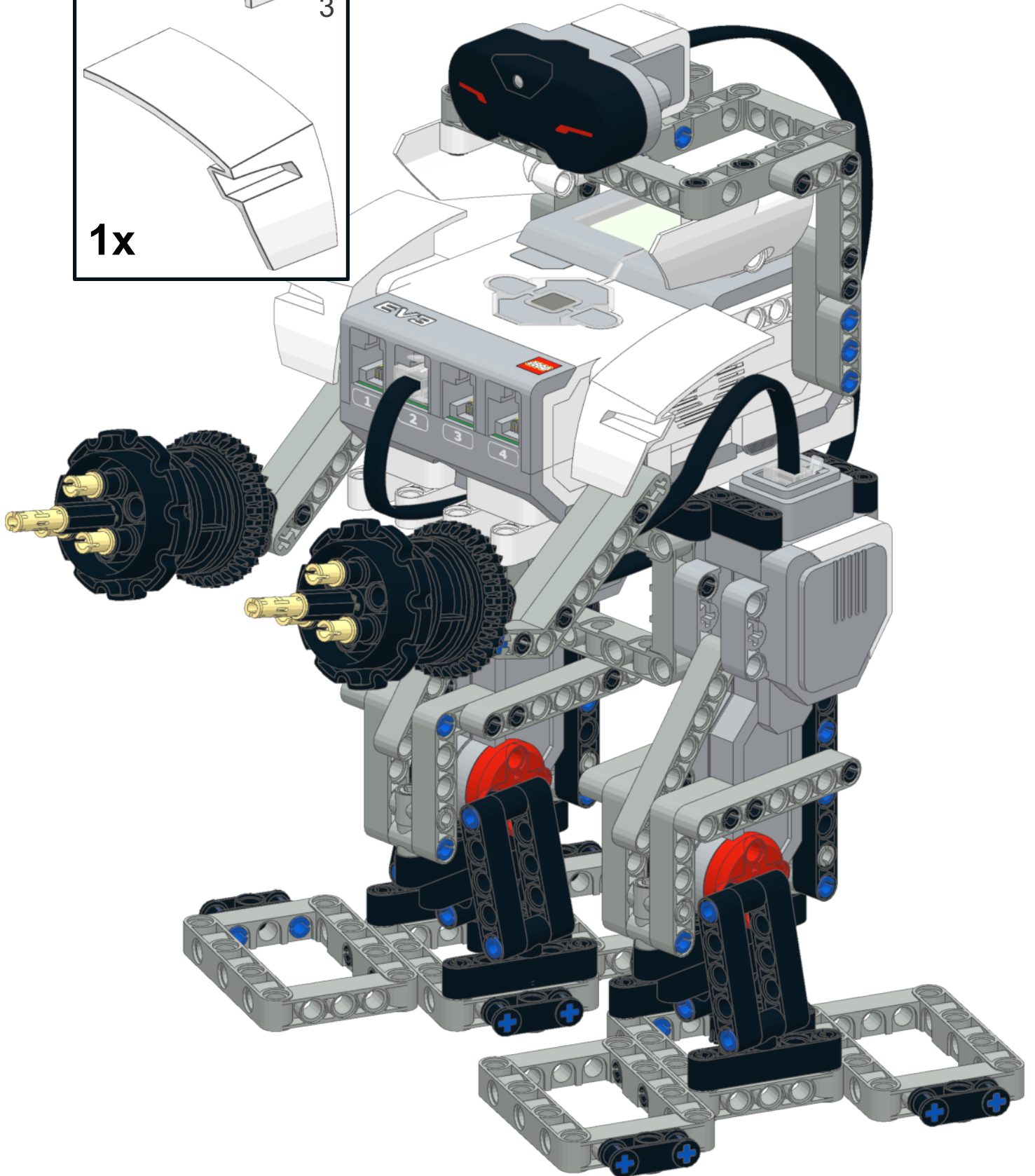
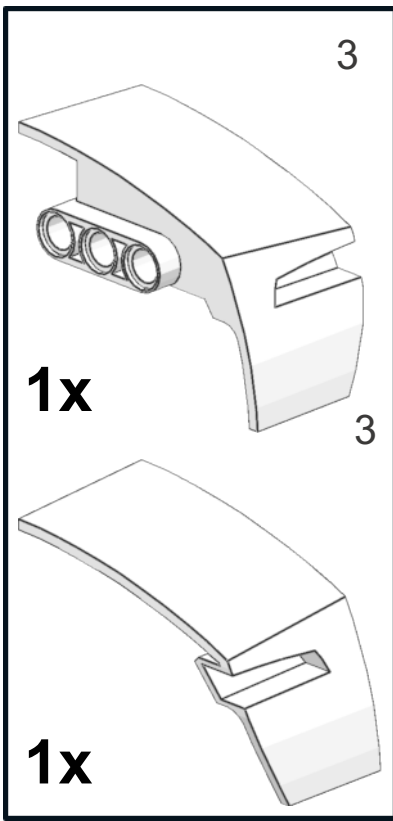


50






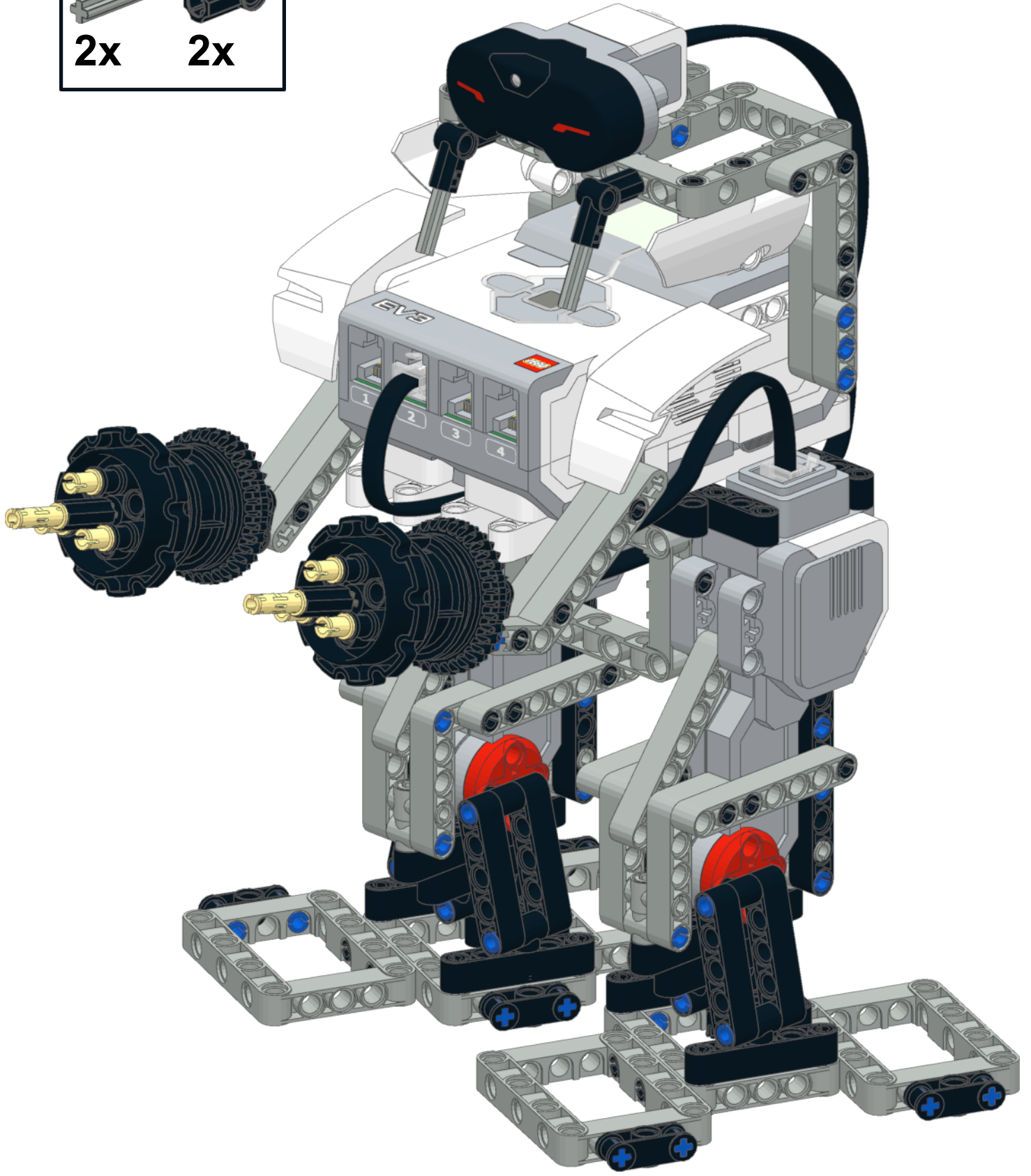
51




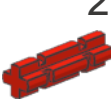


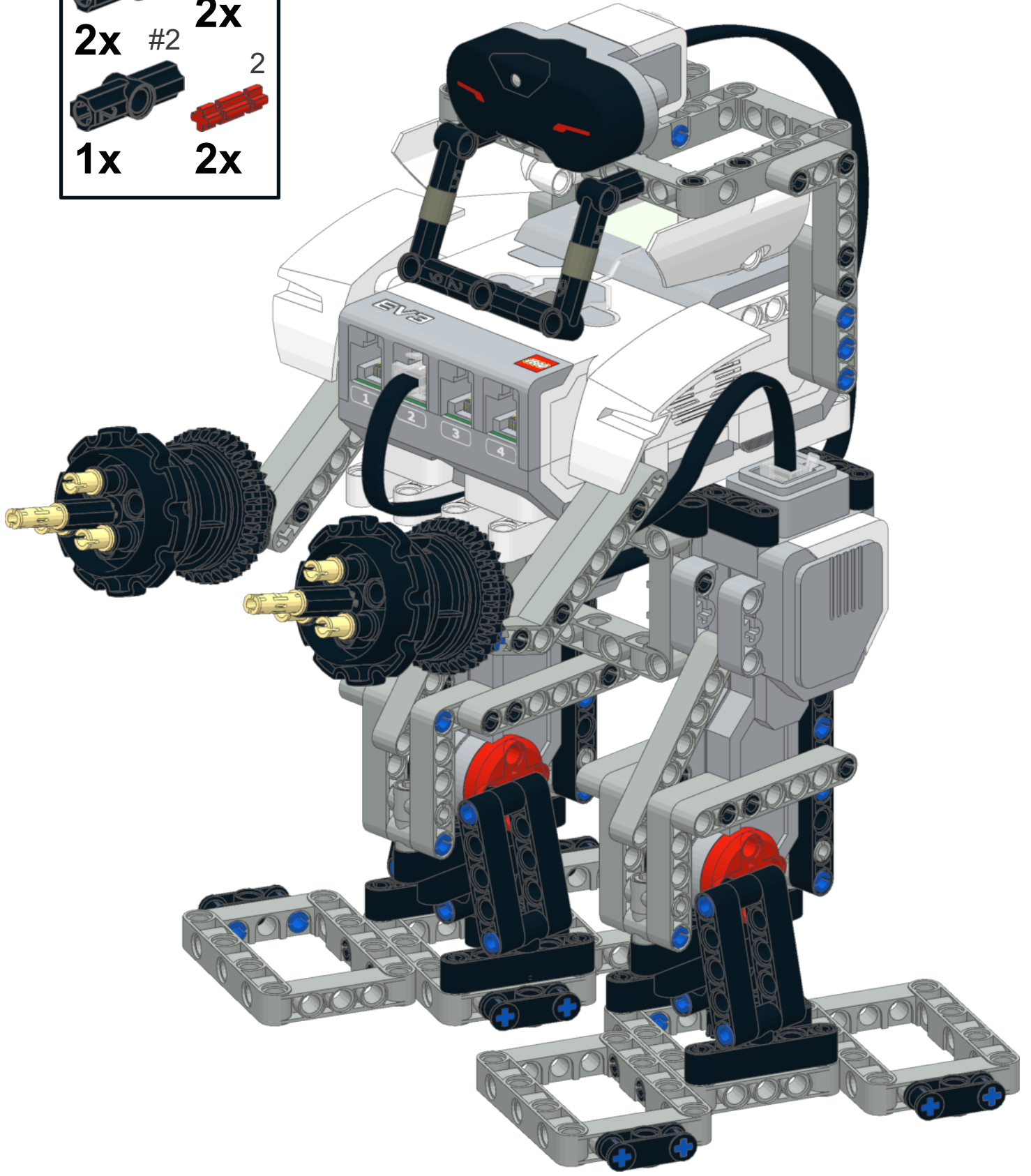


53

| | |
|--|---|
|  | #5 |
| 2x  | 3  |
| 2x | 2x |



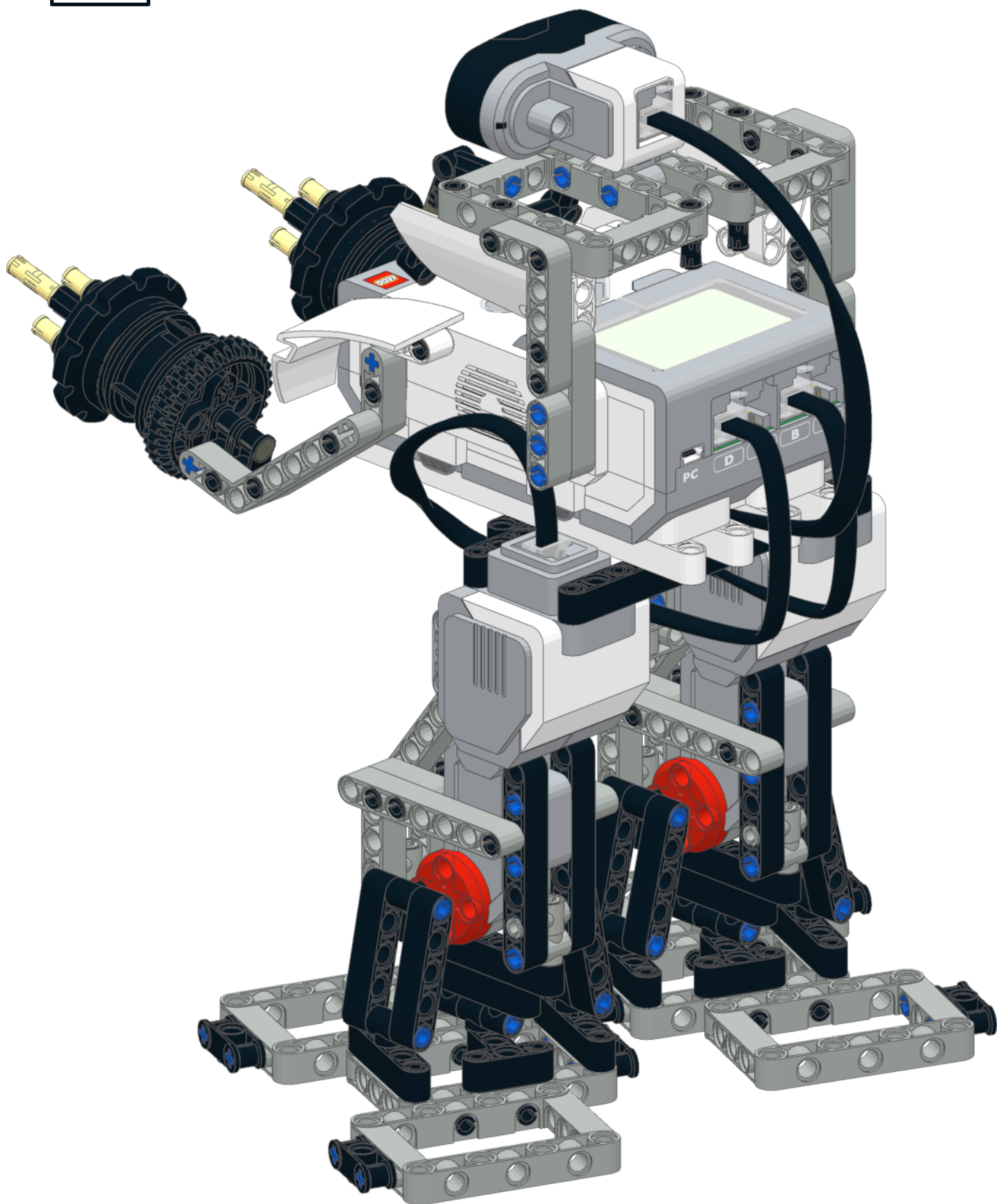
| | | | |
|---|----|---|---|
|  | #6 |  | 1 |
| 2x | | 2x | |
|  | #2 |  | 2 |
| 1x | | 2x | |



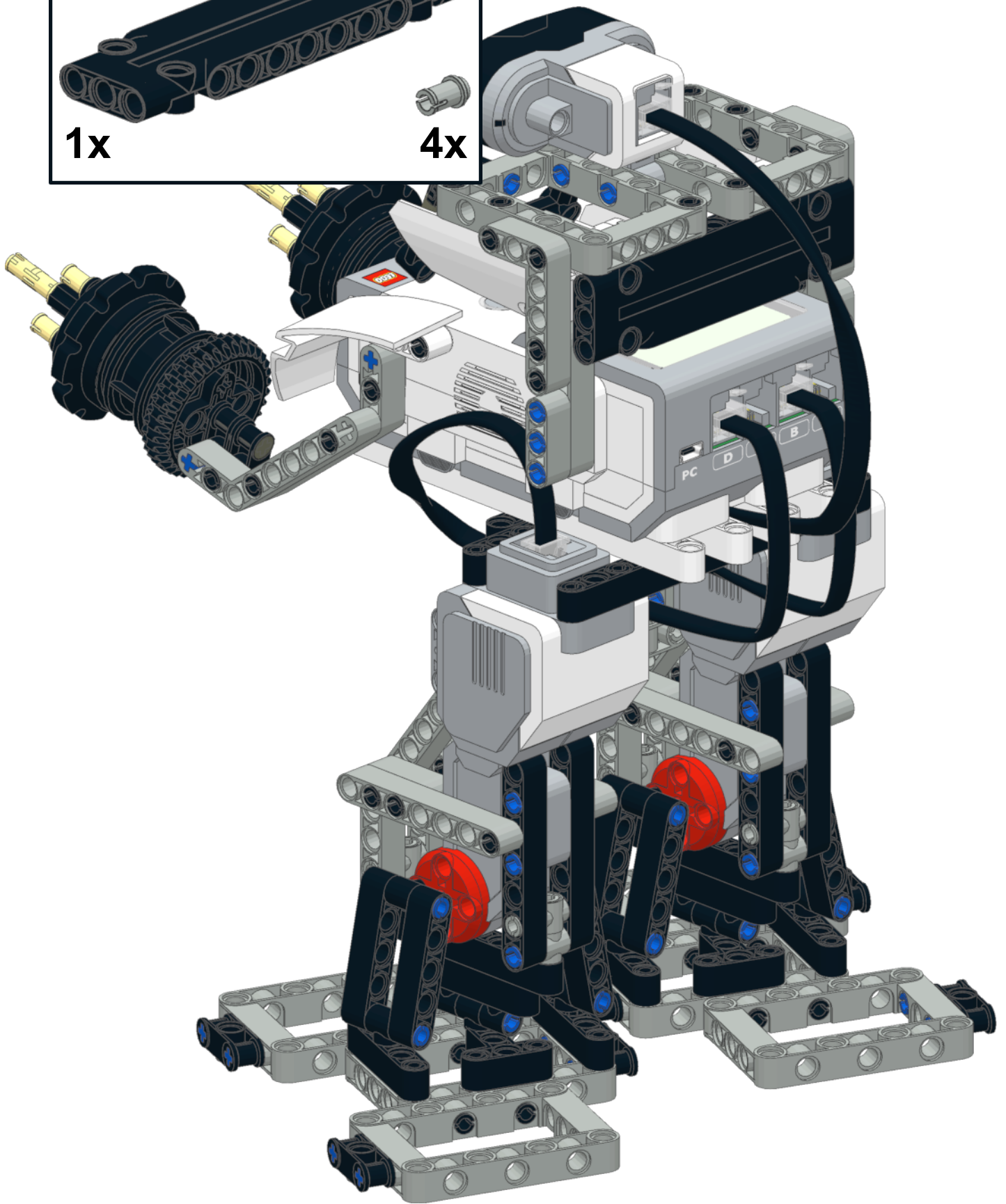
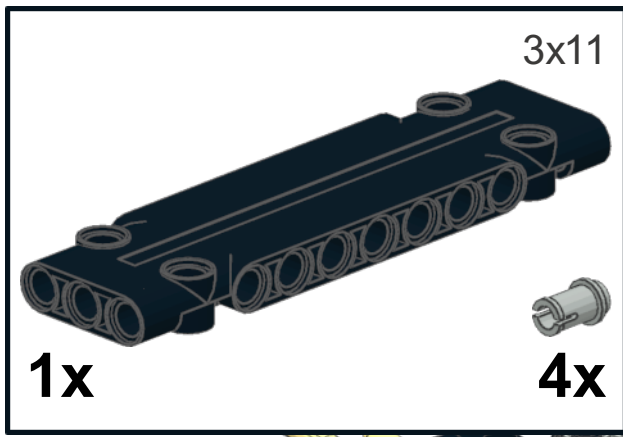
55



2x



56



57

